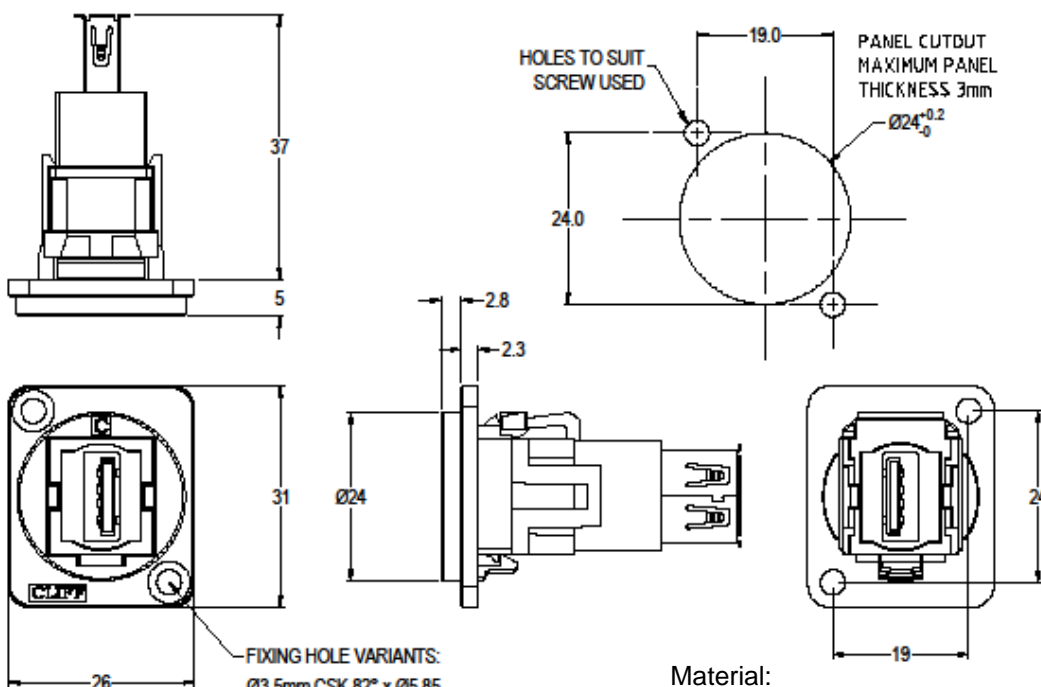
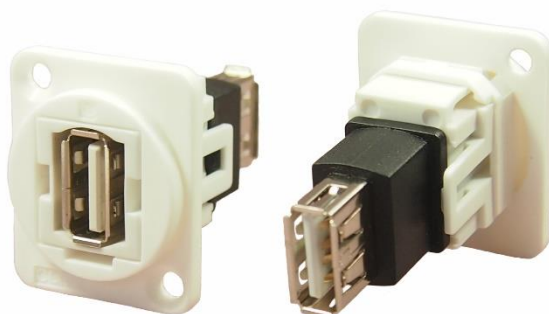


Datasheet

RS PRO USB2.0 A-A CSK WHITE FEEDTHROUGH CONNECTOR

Stock No: 2035614



Notes::

- 1.Voltage rating: 30V ac
- 2.Current rating: 1.5 A max
- 3.Contact resistance: 50mΩ max
- 4.Insulation resistance: 20MΩ min
- 5.Dielectric withstanding voltage: 500V AC
- 6.Operating Temperature: -20°C to 50°C

FIXING HOLE VARIANTS:
 Ø3.5mm CSK 82° x Ø5.85
 *X VERSION HAS Ø2.5 PLAIN HOLES.

Material:

- 1.Insert: ABS UL94 HB
- 2.Frame: Polyamide UL94 V-2
- 3.Inner Overmouldings: PE + PVC
- 4.Shell: Nickel plated steel
 Contacts: Gold Plated

Features & Benefits:

- Fits standard XLR Ø24mm cutout.
- No soldering or punch termination. Use standard cable for each connector style.
- Front or rear mounted.
- Low rear profile

General:

Please note: Functionality is affected by cable quality, length and cable wiring configuration.

Other models available:

Part No.

8741204	USB2.0 A-A Black plastic frame, CSK holes
9075637	USB2.0 A-A Nickel plated metal frame, CSK holes
1750146	USB2.0 A-A Nickel plated metal frame, M3 holes
9160221	USB2.0 A-A Black metal frame, CSK holes
1750147	USB2.0 A-A Black metal frame, M3 holes
8741241	USB2.0 A-A Black plastic frame, PLAIN holes



rspro.com

