

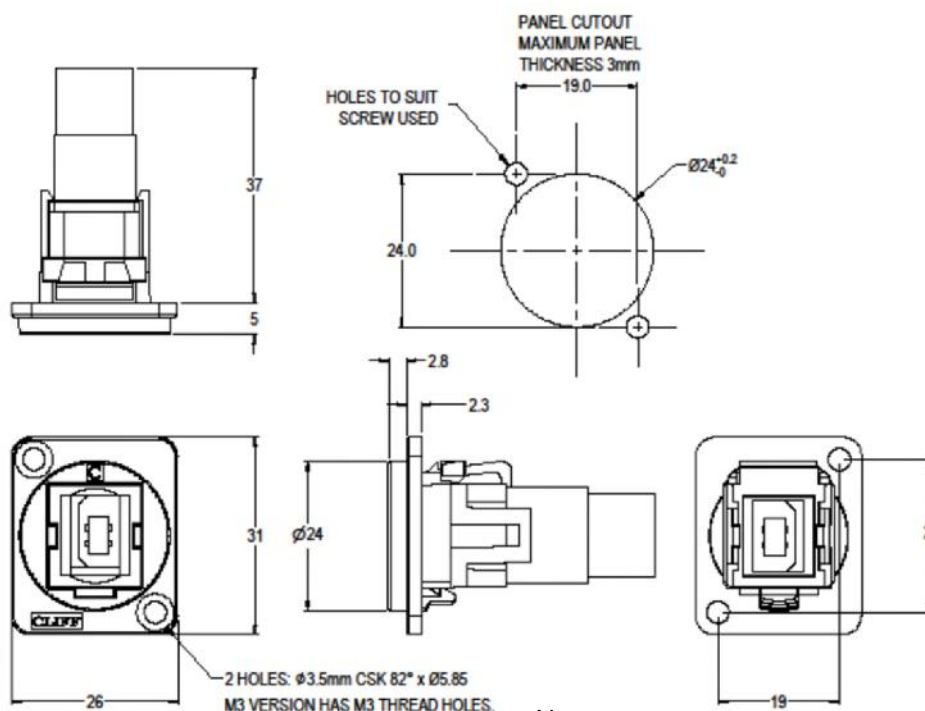


ENGLISH

## Datasheet

# RS PRO USB2.0 B-B METAL M3 FEEDTHROUGH CONNECTOR

Stock No: 175-0151, 203-5567



### Material:

- 1.Insert: ABS
- 2.Frame: Nickel or Black plated zinc diecast
- 3.Shell: Nickel plated steel
- 4.Contacts: Gold Plated

### Notes:

- 1.Voltage rating: 30V AC
- 2.Current rating: 1.5A max
- 3.Contact resistance: 50m $\Omega$  max
- 4.Insulation resistance: 20M $\Omega$  min
- 5.Dielectric withstanding voltage: 500V AC
- 6.Operating Temperature: -20°C to 50°C

[rspro.com](http://rspro.com)

## Features & Benefits:

- Fits standard XLR Ø24mm cutout.
- No soldering or punch termination. Use standard cable for each connector style
- Front or rear mounted.
- Low rear profile

## General:

Please note: Functionality is affected by cable quality, length and cable wiring configuration.

## Variants:

**175-0151** – USB2.0 B-B Metal frame, M3 holes

**203-5567** – USB2.0 B-B Black metal frame, M3 holes



[rspro.com](http://rspro.com)

