



ENGLISH

Datasheet

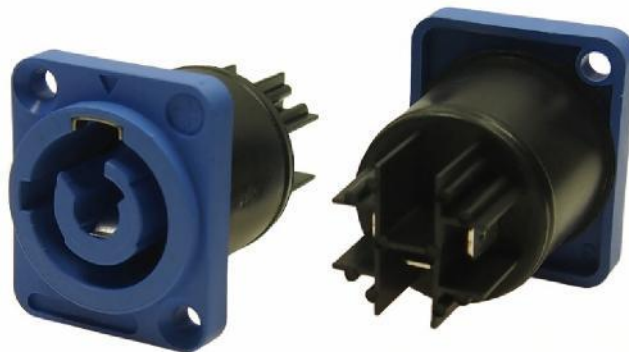
RS PRO Blue 2+PE Industrial Power Plug

Stock No: 2035563

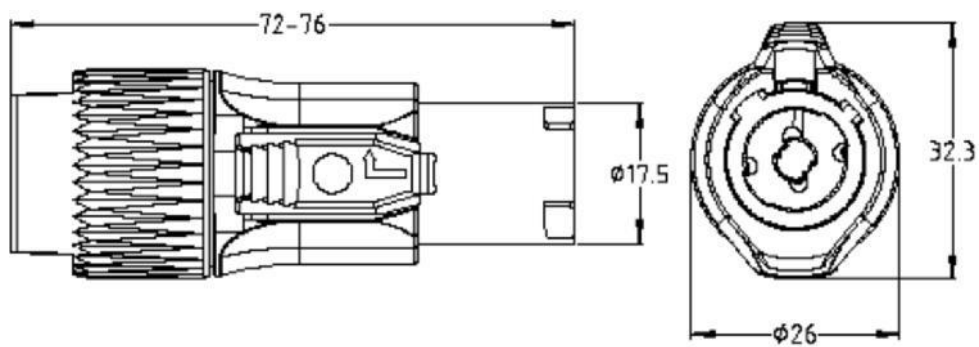


A range of power plugs and sockets. There are 2 types, Power In and Power Out. Plugs lock into sockets and have a keyway to prevent insertion of the wrong plug.

Mates with Panel socket stock no. 1873809



rspro.com



SPECIFICATION

Number of contacts:	2+PE
Contact Resistance:	$\leq 3\text{m}\Omega$
Insulation Resistance:	$\geq 100\text{M}\Omega$
Dielectric strength:	4000V DC
Rated Voltage:	250V AC
Rated current per contact:	20A rms