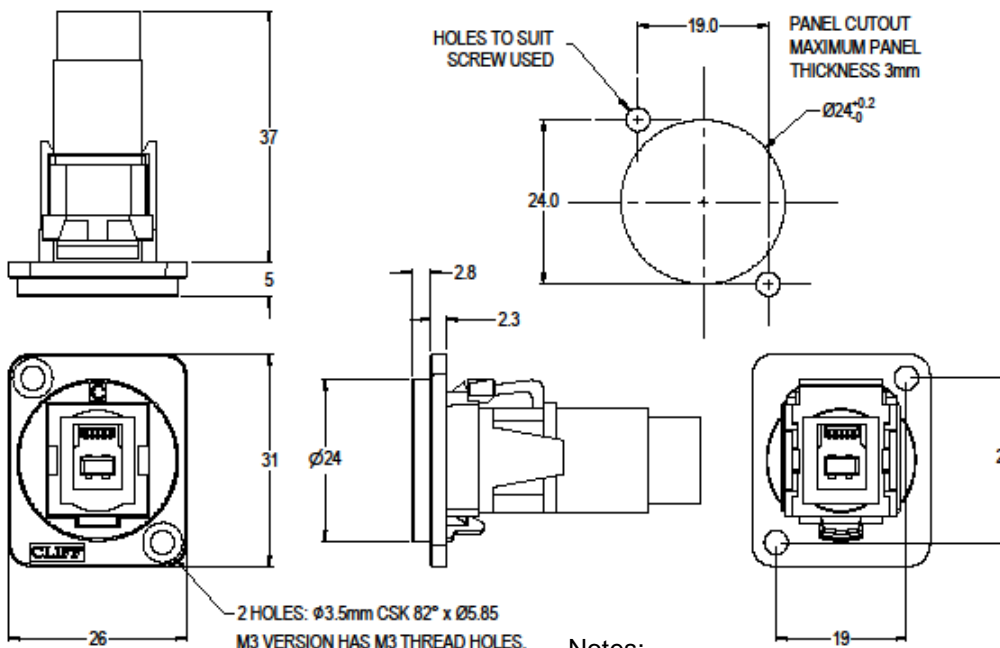


Datasheet

RS PRO USB3.0 B-B METAL M3 FEEDTHROUGH CONNECTOR

Stock No: 2035568, 2035570



- Material:
1. Insert: ABS
 2. Frame: Nickel or Black plated zinc diecast
 3. Shell: Nickel plated steel
 4. Contacts: Gold Plated

- Notes:
1. Voltage rating: 30V AC
 2. Current rating: 1.8 A max
 3. Contact resistance: 50mΩ max
 4. Insulation resistance: 20MΩ min
 5. Dielectric withstanding voltage: 500V AC
 6. Operating Temperature: -20°C to 50°C

Features & Benefits:

- Fits standard XLR Ø24mm cutout.
- No soldering or punch termination. Use standard cable for each connector style.
- Front or rear mounted.
- Low rear profile

General:

Please note: Functionality is affected by cable quality, length and cable wiring configuration.



rspro.com

