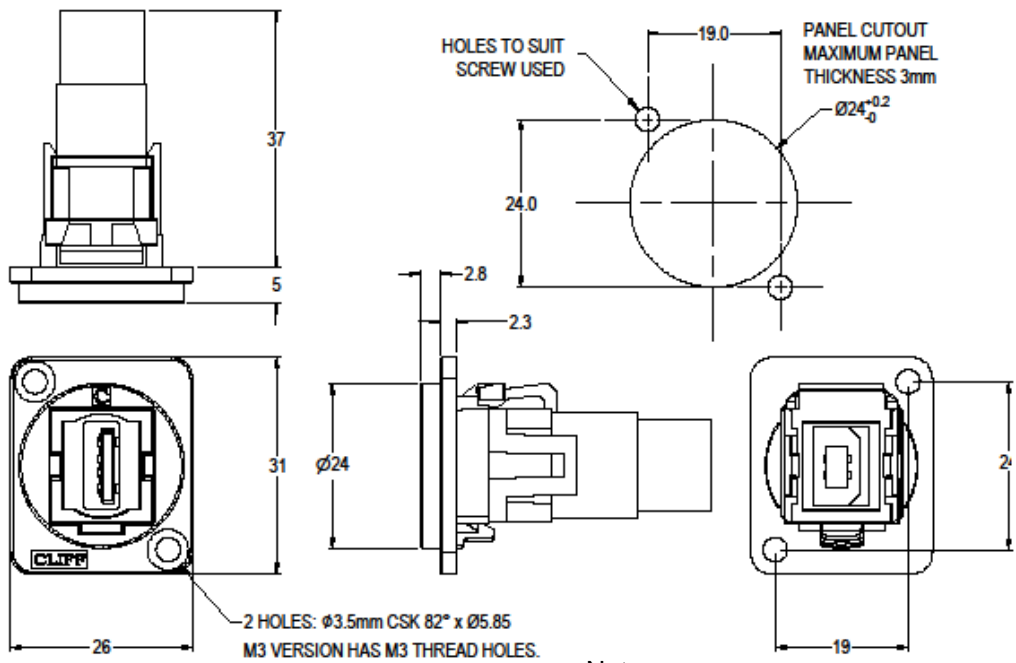


Datasheet

# RS PRO USB2.0 A-B METAL M3 FEEDTHROUGH CONNECTOR

Stock No: 2035574, 2035576



- Material:
- 1. Insert: ABS
  - 2. Frame: Nickel or Black plated zinc diecast
  - 3. Shell: Nickel plated steel
  - 4. Contacts: Gold Plated

- Notes:
- 1. Voltage rating: 30V AC
  - 2. Current rating: 1.5 A max
  - 3. Contact resistance: 50mΩ max
  - 4. Insulation resistance: 20MΩ min
  - 5. Dielectric withstanding voltage: 500V AC
  - 6. Operating Temperature: -20°C to 50°C

## Features & Benefits:

- Fits standard XLR Ø24mm cutout.
- No soldering or punch termination. Use standard cable for each connector style.
- Front or rear mounted.
- Low rear profile

## General:

Please note: Functionality is affected by cable quality, length and cable wiring configuration.

## Other models available:

### Part No.

<b>8987602</b>	USB2.0 A-B Black plastic frame, CSK holes
<b>9075630</b>	USB2.0 A-B Nickel plated metal frame, CSK holes
<b>9160230</b>	USB2.0 A-B Black metal frame, CSK holes
<b>8987605</b>	USB2.0 A-B Black plastic frame, PLAIN holes



[rspro.com](http://rspro.com)

