

# RS PRO Photoelectric Sensor

RS Stock No.: 2024448, 2024449, 2024450, 2024451

## FEATURES

- **Universal housing, an ideal replacement for a wide range of sensor types;**
- **IP67, suitable for harsh environments;**
- **One-click distance setting, accurate and fast;**
- **Background suppression type, stable detection for both white and black targets;**
- **Visible light spot for easy installation and commissioning;**
- **NO and NC are switchable.**



RS Professionally Approved Products bring to you professional quality parts across all product categories. Our product range has been tested by engineers and provides a comparable quality to the leading brands without paying a premium price.

## Part Number Description

Part number	Sensing distance	Light source	Output	Connection
2024448	35cm (adjustable)	Red light (640nm)	NPN NO/NC	2m PVC cable
2024450	35cm (adjustable)	Red light (640nm)	PNP NO/NC	2m PVC cable
2024449	35cm (adjustable)	Red light (640nm)	NPN NO/NC	M8 connector
2024451	35cm (adjustable)	Red light (640nm)	PNP NO/NC	M8 connector

## General Specifications

<b>Detection Type</b>	Background suppression
<b>Rated distance</b>	35cm
<b>Distance adjustment</b>	5-turn knob adjustable
<b>Response Time</b>	≤0.5ms
<b>Spot size</b>	10mm@35cm
<b>Indicator</b>	Green light: power, stable signal (Flashing means unstable signal) Yellow light: output, overload or short circuit (flash)
<b>Operating Temperature</b>	-25°C...55 °C
<b>Storage temperature</b>	-25°C...70 °C
<b>Anti-ambient light</b>	Anti-sunlight interference ≥ 10,000lux; Incandescent light interference ≥ 3,000lux

## Electrical Specifications

<b>Operating Supply Voltage</b>	10...30 VDC
<b>Current Consumption</b>	≤25mA
<b>Voltage Drop</b>	≤1V
<b>Load Current</b>	≤200mA
<b>Hysteresis</b>	<5%
<b>Reverse Polarity Protection</b>	YES
<b>Overload Protection</b>	YES
<b>Short Circuit Protection</b>	YES

## Mechanical Specifications

<b>Body Style</b>	Block
<b>Mounting Type</b>	Screw
<b>Housing Material</b>	PC+ABS
<b>Lens/Face Material</b>	PMMA
<b>Dimensions</b>	32.5*20*10.6mm
<b>Weight</b>	50g (connector type) / 90g (cable type)

## Protection Category

IP Rating	IP67
-----------	------

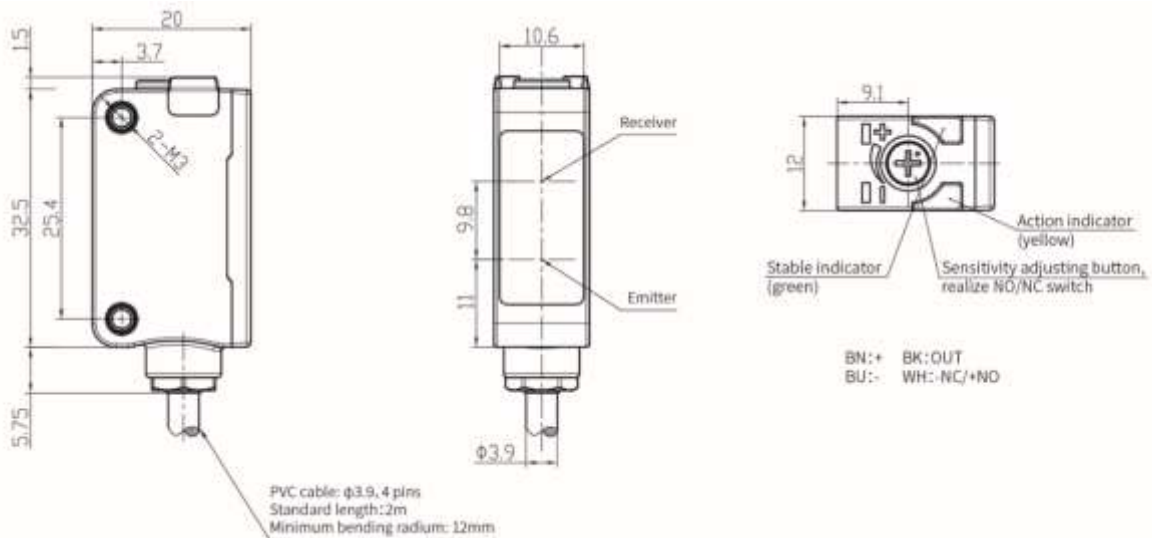
## Additional Information

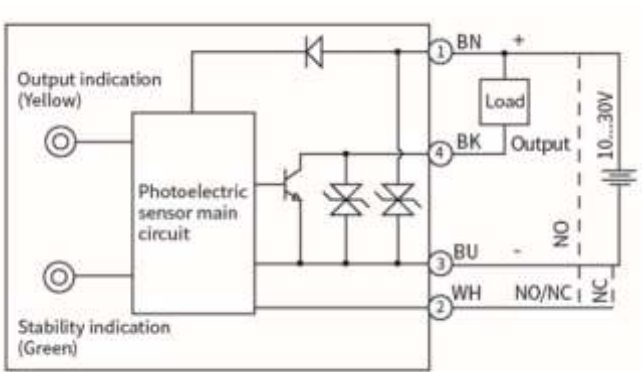
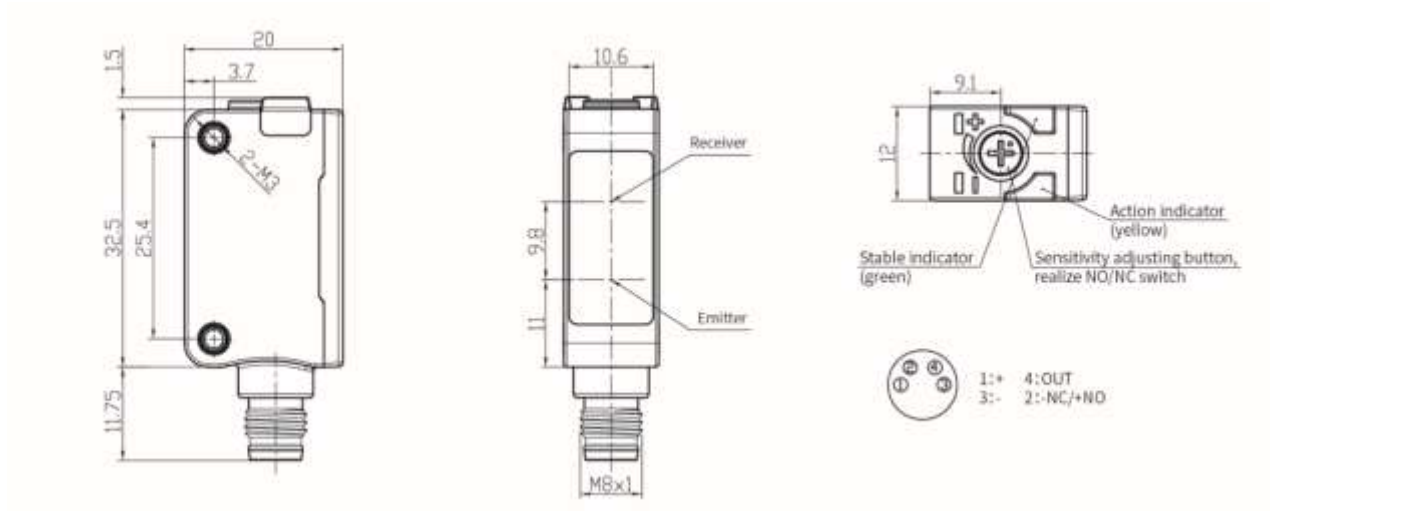
Custom Tariff Number/HS code	903180
NO/NC adjustment	NO: When the white wire is connected to the positive or suspended; NC: When the white wire is connected to the negative.

## Approvals

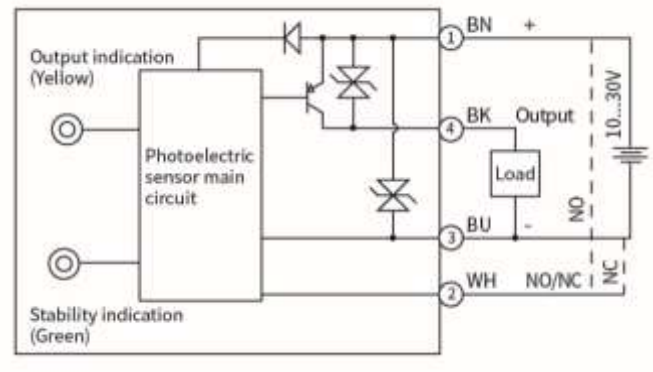
Compliance/Certifications	CE
---------------------------	----

## Dimension and Wiring





NPN



PNP