

# PRODUCT INFORMATION PACKET



Model No: P215K17FK5B

Catalog No: 140705.00

10HP..1740RPM.215.TEFC./230V.1PH.60HZ.CONT.MANUAL.40C.1.15SF.RIGID C.AG - CATFISH  
POND.P215K17FK5B.B

Agricultural



Regal and Leeson are trademarks of Regal Beloit Corporation or one of its affiliated companies.

©2018 Regal Beloit Corporation, All Rights Reserved. MC017097E



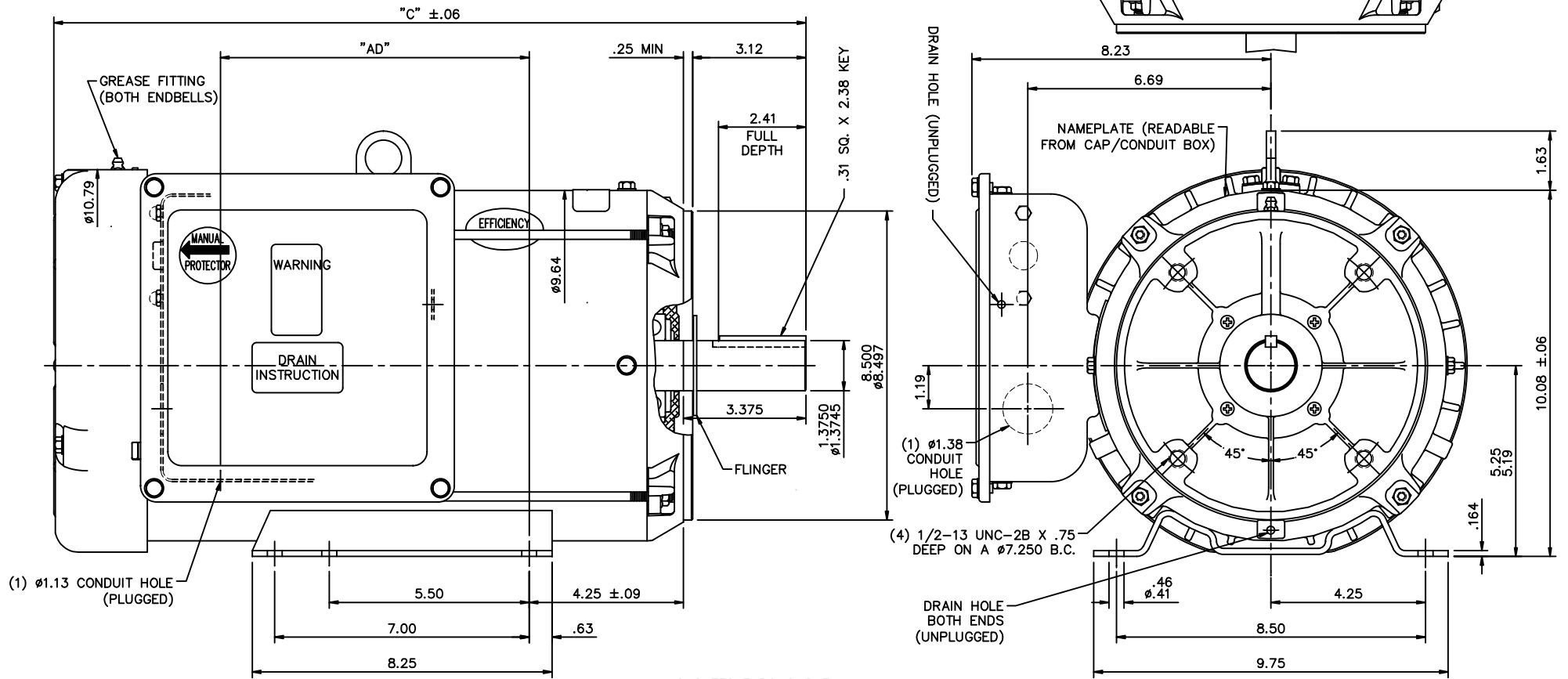


**Nameplate Specifications**

Output HP	<b>10 Hp</b>	Output KW	<b>7.5 kW</b>
Frequency	<b>60 Hz</b>	Voltage	<b>230 V</b>
Current	<b>40.0 A</b>	Speed	<b>1740 rpm</b>
Service Factor	<b>1.15</b>	Phase	<b>1</b>
Efficiency	<b>86.5 %</b>	Duty	<b>Continuous</b>
Insulation Class	<b>F</b>	Design Code	<b>NO DESIGN CODE</b>
KVA Code	<b>G</b>	Frame	<b>215TC</b>
Enclosure	<b>Totally Enclosed Fan Cooled</b>	Overload Protector	<b>Manual</b>
Ambient Temperature	<b>40 °C</b>	Drive End Bearing Size	<b>6207</b>
Opp Drive End Bearing Size	<b>6206</b>	UL	<b>Recognized</b>
CSA	<b>Y</b>	CE	<b>Y</b>
IP Code	<b>43</b>		

**Technical Specifications**

Electrical Type	<b>Capacitor Start Capacitor Run</b>	Starting Method	<b>Across The Line</b>
Poles	<b>4</b>	Rotation	<b>Selective Counterclockwise</b>
Mounting	<b>Rigid base</b>	Motor Orientation	<b>HORIZONTAL</b>
Drive End Bearing	<b>BALL</b>	Opp Drive End Bearing	<b>BALL</b>
Frame Material	<b>Rolled Steel</b>	Shaft Type	<b>T</b>
Overall Length	<b>20.71 in</b>	Frame Length	<b>14.00 in</b>
Shaft Diameter	<b>1.375 in</b>	Shaft Extension	<b>3.38 in</b>
Assembly/Box Mounting	<b>F1 ONLY</b>		
Outline Drawing	<b>037604-1400</b>	Connection Diagram	<b>005461.02</b>



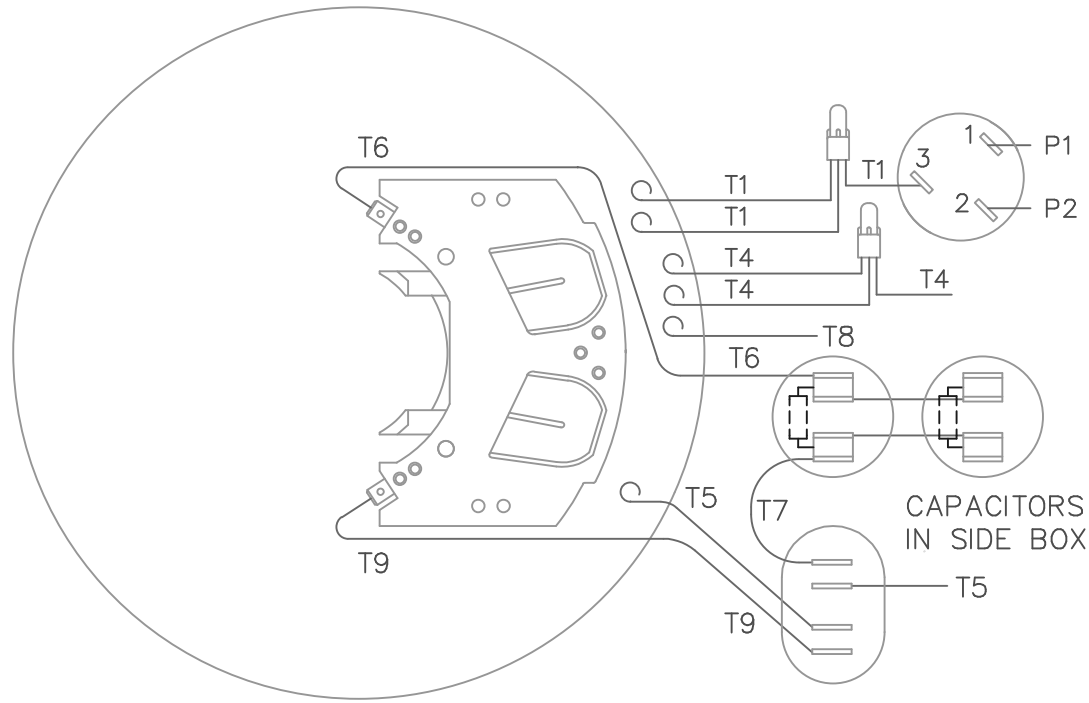
GASKETS THROUGHOUT  
 MAXIMUM FACE RUNOUT TO BE .004 T.I.R.  
 MAXIMUM PILOT ECCENTRICITY TO BE .004 T.I.R.  
 PERMISSIBLE SHAFT RUNOUT TO BE .002 T.I.R.  
 ALIGN BASE TO C-FACE MOUNTING HOLES WITHIN ±1/16"

**SPECIAL FEATURES:**

- 1) GASKETS THROUGHOUT
- 2) FLINGER AT SHAFT END OF MOTOR
- 3) STAINLESS STEEL HARDWARE & FAN GUARD
- 4) EPOXY PAINT
- 5) PLUGGED DRAIN HOLES IN FRAME AT 3:00, 9:00, & 12:00

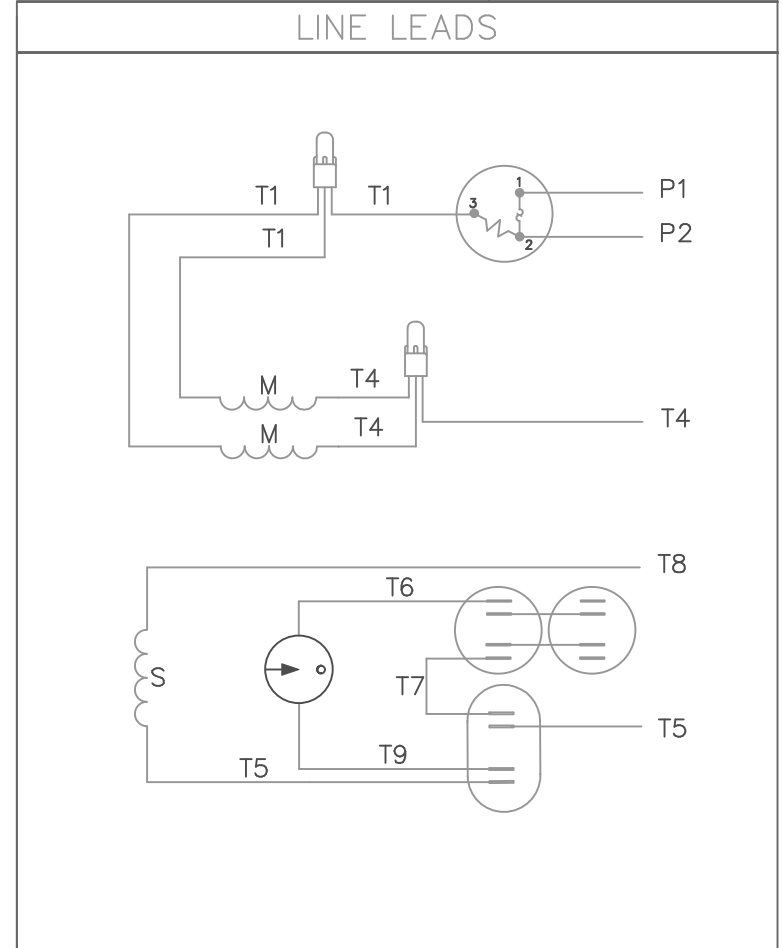
DASH NO.	"C"	"AD"
1200	18.71	6.50
1250	19.21	7.00
1300	19.71	7.50
1350	20.21	8.00
1400	20.71	8.50
1450	21.21	9.00
1500	21.71	9.50

NO.	REVISION	BY & DATE	TOLERANCES UNLESS SPECIFIED		FINISH	TITLE	DRAWN	REV.
			DEC.	INCHES				
			.X	±.1		<b>LEESON</b> ELECTRIC MOTORS GEARMOTORS AND DRIVES OUTLINE - 210TC FRAME TEFC - RIGID "C" CATFISH	RDW	1/23/03
			.XX	±.03			CHK	
			.XXX	±.005			APPD	SW 1/23/03
			.XXXX	±.0005			SCALE	3=8
							REF	
			CHK	ANG	±1/2'		FMF	140705
THIS DRAWING IN DESIGN AND DETAIL IS OUR PROPERTY AND MUST NOT BE USED EXCEPT IN CONNECTION WITH OUR WORK ALL RIGHTS OF DESIGN AND INVENTION ARE RESERVED THIS IS AN ELECTRONICALLY GENERATED DOCUMENT - DO NOT SCALE THIS PRINT			RFP	1/23/02	CAD FILE	037604	PREV	
							SIZE	DRAWING NO.
							B	037604
								REV.




VIEW FROM OUTSIDE OF MOTOR AT SWITCH END

CAUTION:  
LEAD WIRE INSULATION TO EXTEND MIN. OF 1/4" INTO CONNECTOR INSULATION



ROTATION FACING LEAD END	L1	L2	JOIN & INSULATE
C.C.W.	P1	T4,T5	P2,T8
C.W.	P1	T4,T8	P2,T5

		TOLERANCES UNLESS SPECIFIED		 ELECTRIC MOTORS GEARMOTORS AND DRIVES		DRAWN RDW 10/25/02			
		DEC.	INCHES			CHK			
		.X	±.1			APPD			
		.XX	±.01			SCALE 1=2			
		.XXX	±.005			REF 005461-01			
		.XXXX	±.0005	MAT'L. DECAL 080135		FMF 140706			
NO.	REVISION	BY & DATE	CHK	ANG	±1/2'	PREV			
THIS DRAWING IN DESIGN AND DETAIL IS OUR PROPERTY AND MUST NOT BE USED EXCEPT IN CONNECTION WITH OUR WORK ALL RIGHTS OF DESIGN AND INVENTION ARE RESERVED THIS IS AN ELECTRONICALLY GENERATED DOCUMENT - DO NOT SCALE THIS PRINT			RFP	10/25/02	CAD FILE	00546102	SIZE A	DRAWING NO. 005461-02	REV.
			DIST						

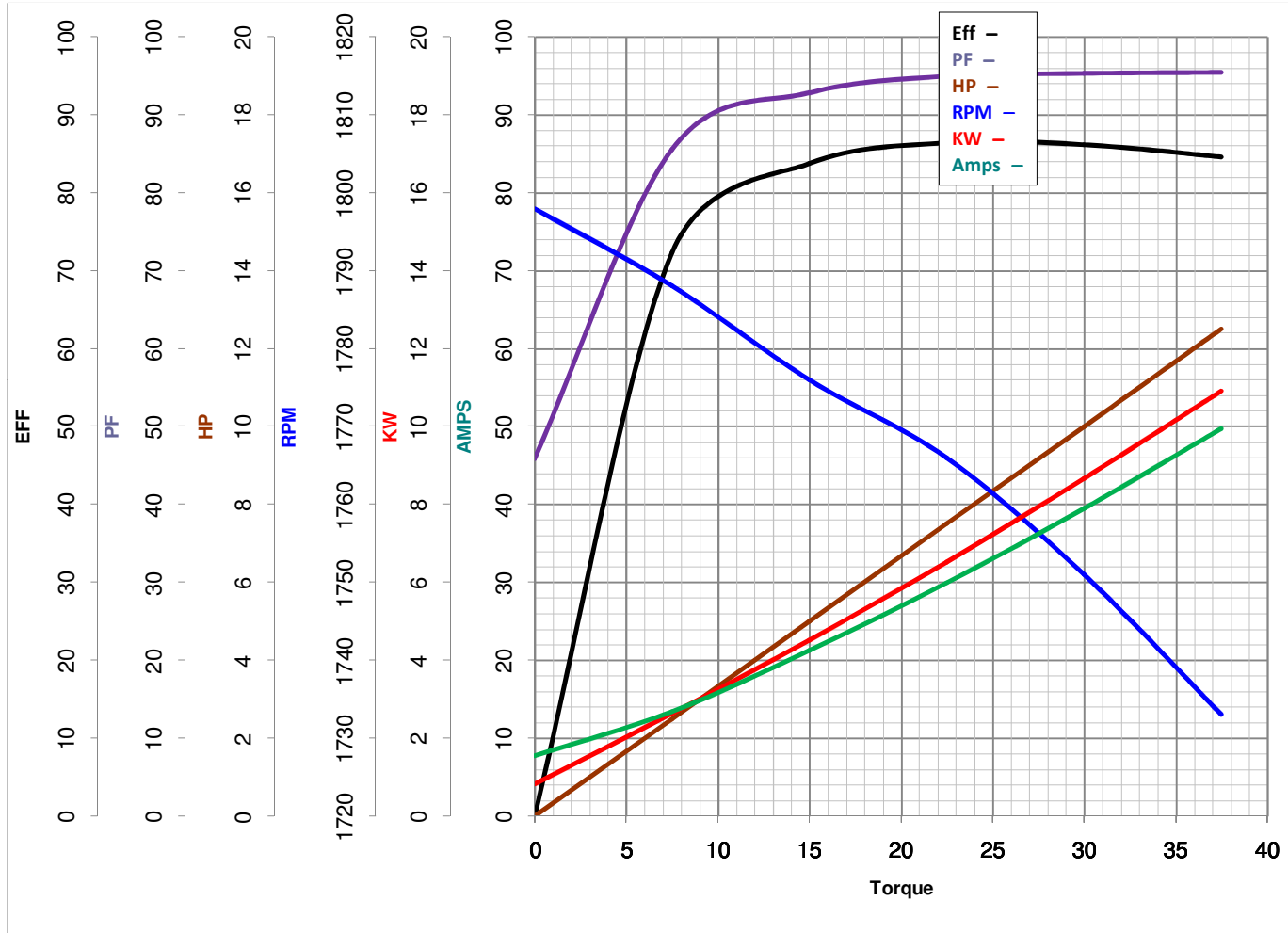


**LEESON ELECTRIC CORPORATION**  
TYPICAL PERFORMANCE CURVE for AC MOTOR

Model No 140705.00

Catalog No 140705.00

Curve at 230 Volts      HP 10.00      PHASE 1  
60 HZ  
10 HP      VOLTS 230  
HZ 60      RPM 1740



Torque in Lb.Ft

FL TORQUE 30 Lb.Ft  
 BD TORQUE 69.5 Lb.Ft  
 LR TORQUE 90.2 Lb.Ft

FL AMPS 40  
 PU TORQUE 61.5 Lb.Ft  
 LR AMPS 264

WINDING K9425-2

Date 4/23/2018