

PRODUCT INFORMATION PACKET



Model No: 108228.00
Catalog No: 108228.00
0.75 HP Washdown Duty DC Motor, 1750 RPM, 90 V, 56C Frame, TENV
White Epoxy Washdown Duty DC Motors



Regal and Leeson are trademarks of Regal Beloit Corporation or one of its affiliated companies.
©2020 Regal Beloit Corporation, All Rights Reserved. MC017097E





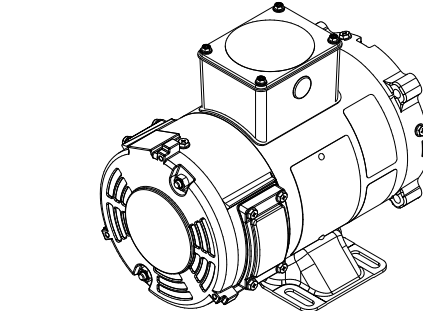
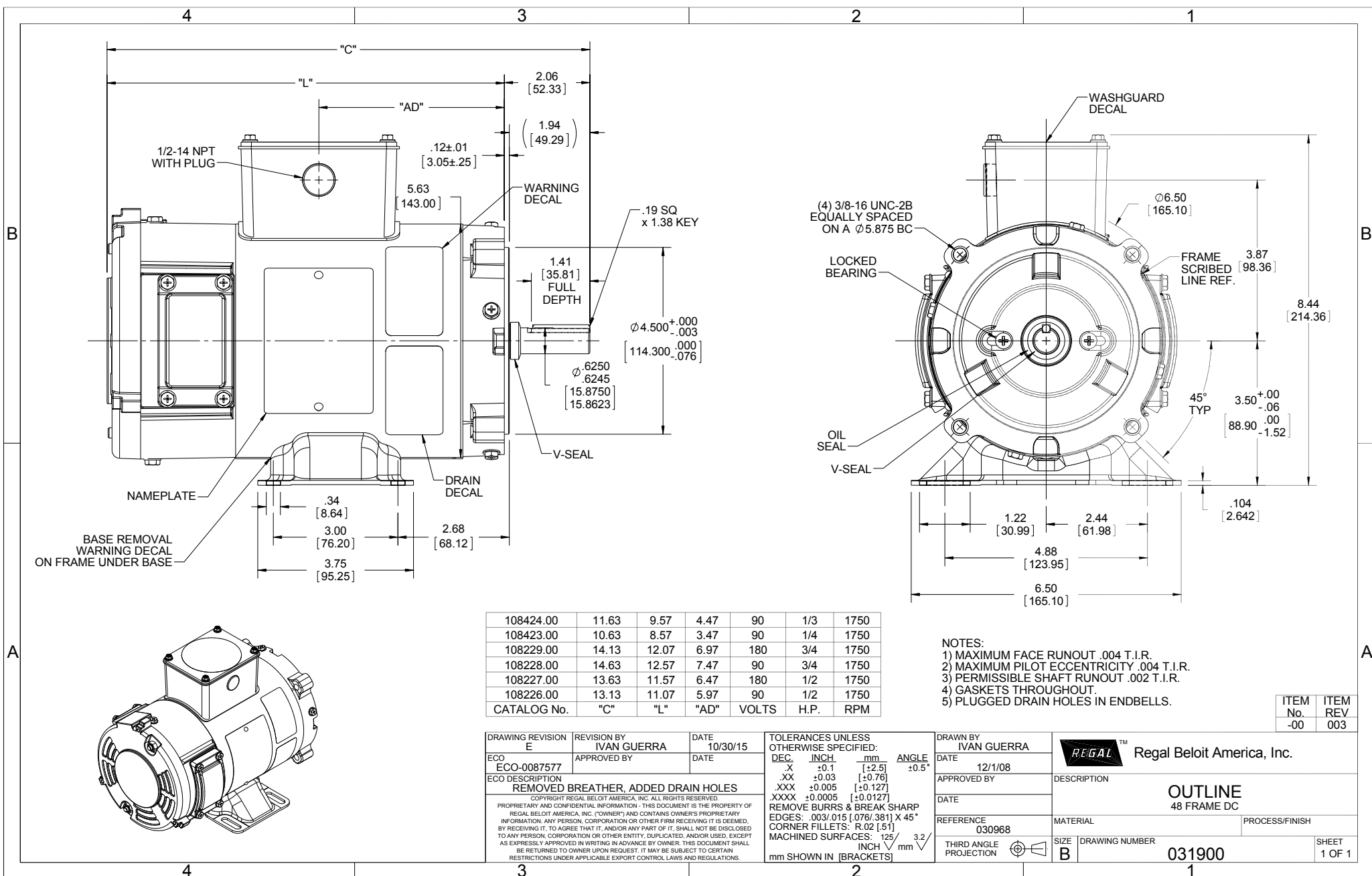
Nameplate Specifications

Output HP	0.75 Hp	Output KW	0.56 kW
Voltage	90 V	Current	7.0 A
Speed	1750 rpm	Service Factor	1
Efficiency	85.2 %	Duty	Continuous
Insulation Class	F	Frame	S56C
Enclosure	Totally Enclosed Non Ventilated	Thermal Protection	No
Ambient Temperature	40 °C	Drive End Bearing Size	6203
Opp Drive End Bearing Size	6203	UL	Recognized
CSA	Y	CE	N

Technical Specifications

Rotation	Reversible	Mounting	Rigid C base
Overall Length	14.63 in	Frame Length	8.47 in
Shaft Diameter	0.625 in	Shaft Extension	2.06 in
Outline Drawing	031900-108228	Connection Drawing	00531901

This is an uncontrolled document once printed or downloaded and is subject to change without notice. Date Created:30/12/2020



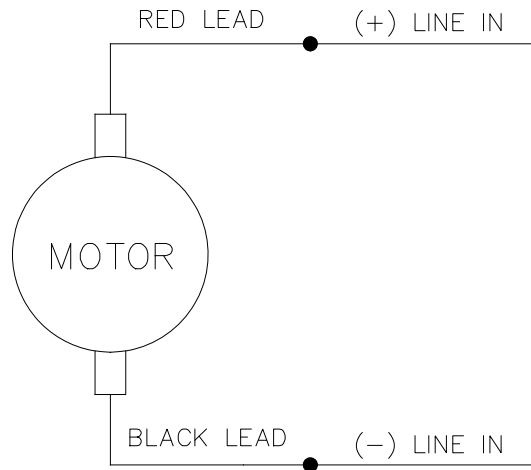
108424.00	11.63	9.57	4.47	90	1/3	1750
108423.00	10.63	8.57	3.47	90	1/4	1750
108229.00	14.13	12.07	6.97	180	3/4	1750
108228.00	14.63	12.57	7.47	90	3/4	1750
108227.00	13.63	11.57	6.47	180	1/2	1750
108226.00	13.13	11.07	5.97	90	1/2	1750
CATALOG No.	"C"	"L"	"AD"	VOLTS	H.P.	RPM

- NOTES:
 1) MAXIMUM FACE RUNOUT .004 T.I.R.
 2) MAXIMUM PILOT ECCENTRICITY .004 T.I.R.
 3) PERMISSIBLE SHAFT RUNOUT .002 T.I.R.
 4) GASKETS THROUGHOUT.
 5) PLUGGED DRAIN HOLES IN ENDBELLS.


ITEM No.	ITEM REV
-00	003

DRAWING REVISION E	REVISION BY IVAN GUERRA	DATE 10/30/15	TOLERANCES UNLESS OTHERWISE SPECIFIED: DEC. INCH mm ANGLE ±0.5° -X ±0.1 [+2.5] .XX ±0.03 [+0.76] .XXX ±0.005 [+0.127] .XXXX ±0.0005 [+0.0127] REMOVE BURRS & BREAK SHARP EDGES: .003/.015 [.076/.381] X 45° CORNER FILLETS: R.02 [.51] MACHINED SURFACES: 125/3.2 INCH/mm	DRAWN BY IVAN GUERRA	Regal Beloit America, Inc.
ECO ECO-0087577	APPROVED BY	DATE	DATE 12/1/08	DATE	
ECO DESCRIPTION REMOVED BREATHER, ADDED DRAIN HOLES COPYRIGHT REGAL BELOIT AMERICA, INC. ALL RIGHTS RESERVED. PROPRIETARY AND CONFIDENTIAL INFORMATION - THIS DOCUMENT IS THE PROPERTY OF REGAL BELOIT AMERICA, INC. (OWNER) AND CONTAINS OWNER'S PROPRIETARY INFORMATION. ANY PERSON, CORPORATION OR OTHER FIRM RECEIVING IT IS DEEMED, BY RECEIVING IT, TO AGREE THAT IT, AND/OR ANY PART OF IT, SHALL NOT BE DISCLOSED TO ANY PERSON, CORPORATION OR OTHER ENTITY, DUPLICATED, AND/OR USED, EXCEPT AS EXPRESSLY APPROVED IN WRITING IN ADVANCE BY OWNER. THIS DOCUMENT SHALL BE RETURNED TO OWNER UPON REQUEST. IT MAY BE SUBJECT TO CERTAIN RESTRICTIONS UNDER APPLICABLE EXPORT CONTROL LAWS AND REGULATIONS.			REFERENCE 030968	DESCRIPTION OUTLINE 48 FRAME DC	PROCESS/FINISH
			THIRD ANGLE PROJECTION	MATERIAL	DRAWING NUMBER 031900
			SIZE B		SHEET 1 OF 1

005319.01



CONNECTIONS SHOWN FOR CCW ROTATION FACING LEAD END OF THE MOTOR
TO REVERSE ROTATION INTERCHANGE LINE LEADS

				TOLERANCES UNLESS SPECIFIED		 ELECTRIC MOTORS GEARMOTORS AND DRIVES	DRAWN TJF 11/15/97				
				DEC.	INCHES		CHK				
				.X	±.1		APPD POW 11/15/97				
E	"MOTOR" WAS "ARMATURE", ECO-0163602	IPG	3/14/19	.XX	±.01	TITLE	EXTERNAL WIRING DIAGRAM		SCALE	1=2	
D	UPDATED TO MAKE IT GENERIC, ECO-0163547	IPG	3/13/19	.XXX	±.005		PMDc MOTOR		REF		
01	REDRAWN ON CAD. REVISED NOTES.	SJB	9/20/2005	.XXXX	±.0005	MAT'L.			FMF		
NO.	REVISION	BY & DATE	CHK	ANG	±1/2'	FINISH			PREV		
THIS DRAWING IN DESIGN AND DETAIL IS OUR PROPERTY AND MUST NOT BE USED EXCEPT IN CONNECTION WITH OUR WORK ALL RIGHTS OF DESIGN AND INVENTION ARE RESERVED THIS IS AN ELECTRONICALLY GENERATED DOCUMENT – DO NOT SCALE THIS PRINT				RFP	CAD FILE		00531901	SIZE	DRAWING NO.		REV.
				DIST			A	005319.01		E	

LEESON ELECTRIC CORPORATION

TYPICAL PERFORMANCE CURVE FOR DIRECT CURRENT PERMANENT MAGNET MOTOR

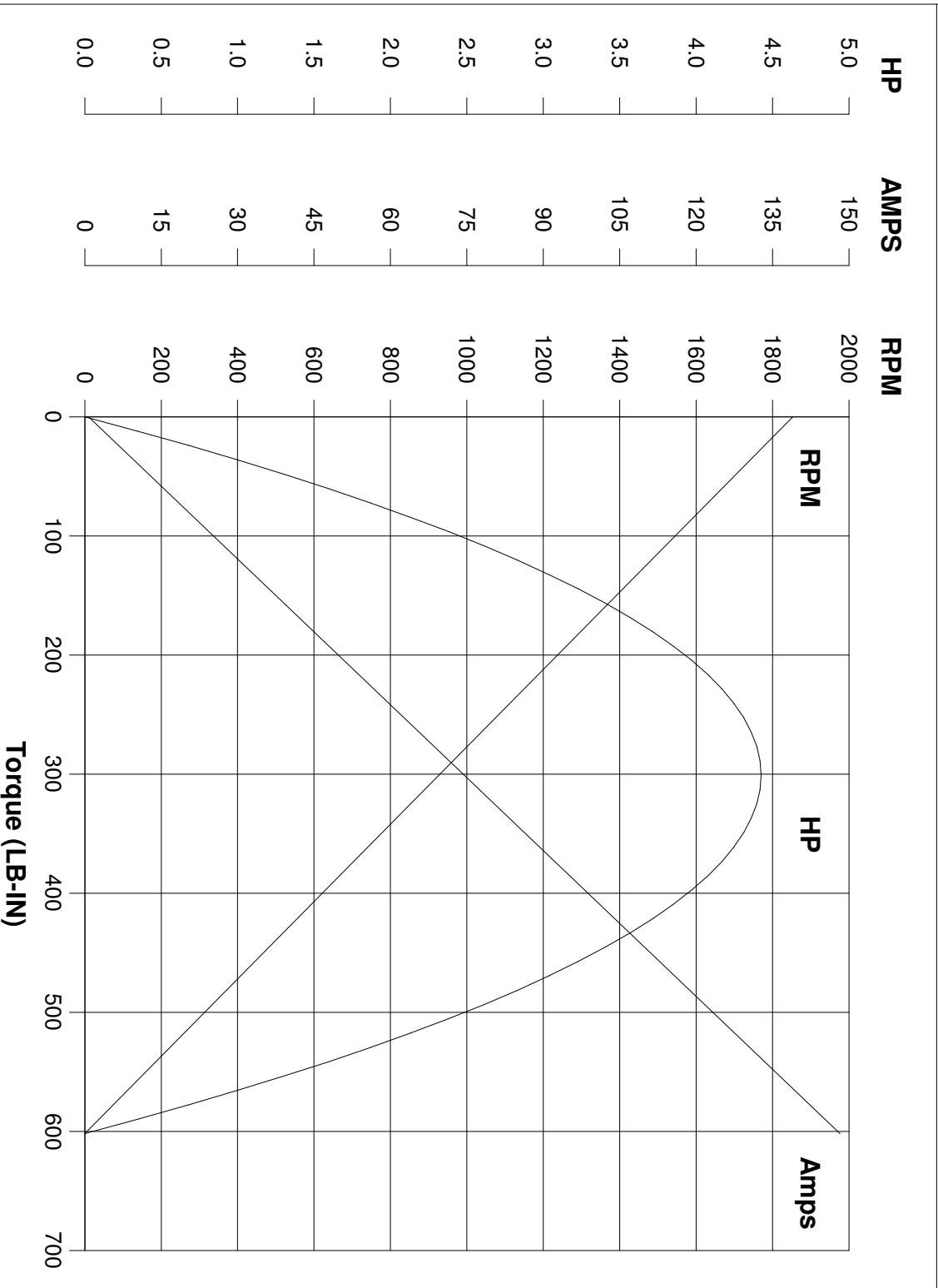
Model No. C4D17VK3

Catalog No. 108228.00

HP 0.750 RPM 1750 DC Volts 90.0 N.P. FLA 7.00

F.F. 1.38 Encl TENV Type DN S.F. 1.00

Max. Amb. 40.0 Deg C Insul. F Frame S56C Duty Cont



Ra 0.3600 Ohms
 La 6.000 mHenrys
 Ja 16.80 LB-IN^{v2}
 Ke 48.33 V/KRPM

Kt 4.085 LB-IN/AMP
 I_{max} 117.9 AMPS Allowed
 FL Torque 27.00 LB-IN
 FL EFF 85.20 %

Winding W- D56227-1 Prepared by S. Bernhardt Date 05-06-2009