

PRODUCT INFORMATION PACKET



Model No: M1135044.00
Catalog No: M1135044.00
0.25 HP DC Gearmotor, 125 RPM, 90 V, 34 Frame, TENV
Other Right Angle DC Gearmotors



Regal and Leeson are trademarks of Regal Beloit Corporation or one of its affiliated companies.
©2020 Regal Beloit Corporation, All Rights Reserved. MC017097E

The Regal logo is located in the bottom right corner. It features the word "REGAL" in a white, bold, sans-serif font, set against a dark grey, trapezoidal background. The background of the entire page on the right side is a blue gradient with a fine, repeating pattern.



Nameplate Specifications

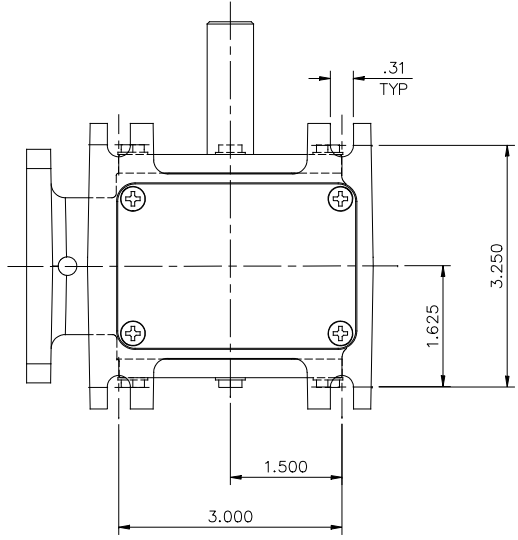
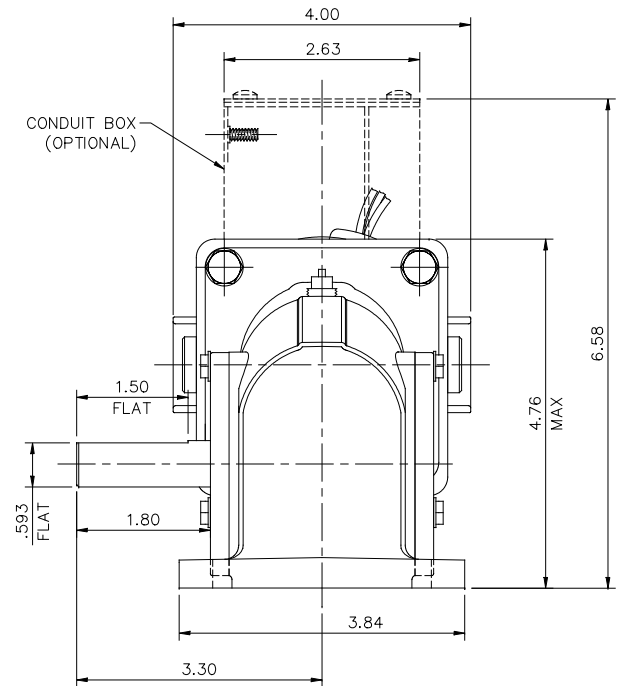
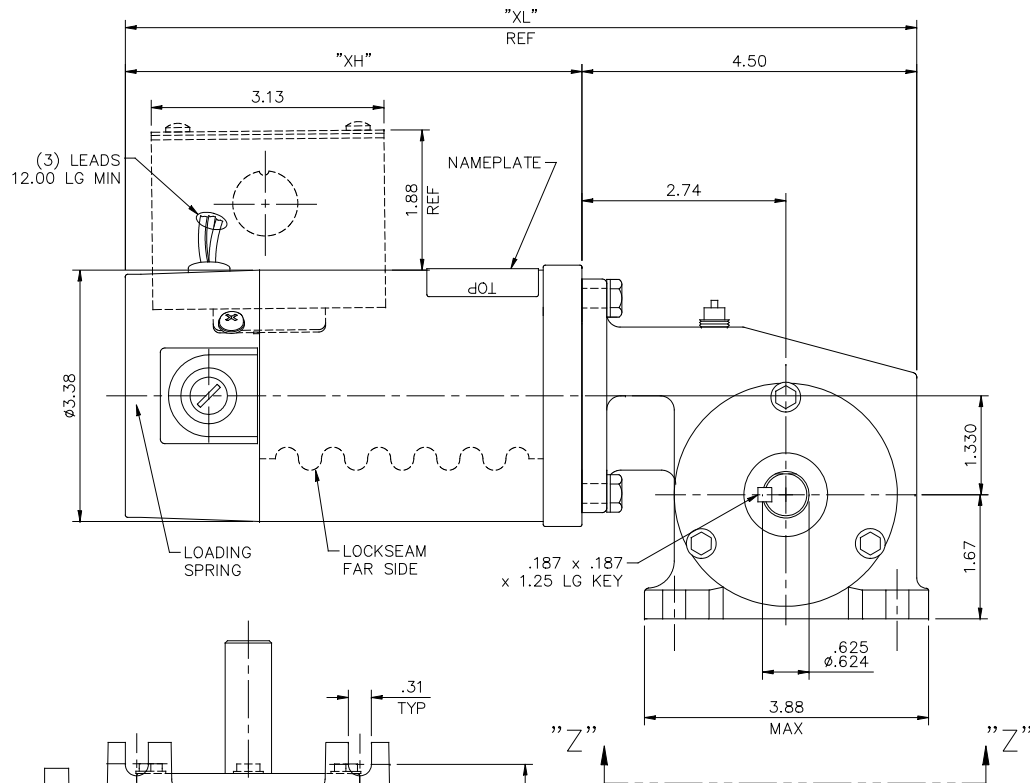
Output HP	0.25 Hp	Output KW	0.19 kW
Voltage	90 V	Current	2.3 A
Speed	125 rpm	Service Factor	1
Efficiency	39.6 %	Duty	Continuous
Insulation Class	H	Frame	34
Enclosure	Totally Enclosed Non Ventilated	Thermal Protection	No
Ambient Temperature	40 °C	Drive End Bearing Size	6201
Opp Drive End Bearing Size	6201	UL	Recognized
CSA	Y	CE	Y

Technical Specifications

Rotation	Reversible	Mounting	Special
Shaft Type	Right Angle	Overall Length	12.64 in
Frame Length	5.81 in	Shaft Diameter	0.625 in
Shaft Extension	1.8 in		
Outline Drawing	M1030350-M1135044	Connection Drawing	M100512401

This is an uncontrolled document once printed or downloaded and is subject to change without notice. Date Created:30/12/2020

M1030350



VIEW Z-Z

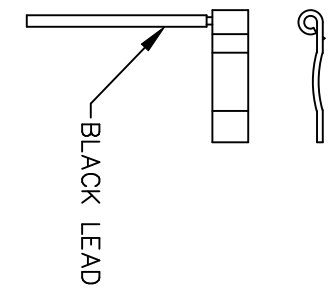
CATALOG NUMBER	SPEED RANGE RPM	FULL LOAD TORQUE LB.-IN.	INPUT HP	OVERHUNG LOAD LBS.	GEARMOTOR TYPE & FRAME	RATIO TO 1	"XH"	"XL"
M1135046.00	500-8	30	1/4	235	13F05-34G	5	8.14	12.64
M1135045.00	250-4	50	1/4	235	13F10-34G	10	8.14	12.64
M1135044.00	125-2.1	90	1/4	235	13F20-34G	20	8.14	12.64
M1135043.00	83-1.4	125	1/4	235	13F30-34G	30	8.14	12.64
M1135042.00	62-1	135	1/4	235	13F40-34G	40	8.14	12.64

		TOLERANCES UNLESS SPECIFIED		LEESON ELECTRIC MOTORS GEARMOTORS AND DRIVES		DRAWN DWF 11/30/93			
		DEC.	INCHES	TITLE		CHK			
		.X	±.1	OUTLINE 34 FRAME DC 13 SERIES 90V GEARMOTOR <td>APPD</td> <td></td>		APPD			
		.XX	±.03	FINISH		SCALE	5=8		
		.XXX	±.005	LEESON		REF	M1135049.99		
Y	REMOVED 1/8 HP RATINGS FROM TABLE, ECO-0173505	IPG	9/13/19	MAT'L.		FMF	M1135046.00		
NO.	REVISION	BY & DATE	CHK	ANG	±1/2"	PREV			
THIS DRAWING IN DESIGN AND DETAIL IS OUR PROPERTY AND MUST NOT BE USED EXCEPT IN CONNECTION WITH OUR WORK ALL RIGHTS OF DESIGN AND INVENTION ARE RESERVED THIS IS AN ELECTRONICALLY GENERATED DOCUMENT - DO NOT SCALE THIS PRINT				RFP	CAD FILE	M1030350	SIZE	DRAWING NO.	REV.
				DIST			B	M1030350	Y

D.C. MOTORS



EXTERNAL CONNECTIONS FOR CW ROTATION
 VIEWING LEAD END OF MOTOR WITH RED LEAD
 POSITIVE AND BLACK LEAD NEGATIVE (-)
 FOR CCW ROTATION REVERSE POLARITY



07	CORRECTED "N" & "S", ECR 80000 (PER BC)	VS	8/14/02	BC	TOLERANCES UNLESS SPECIFIED		LEESON ELECTRIC MOTORS GEARMOTORS AND DRIVES	DRAWN	SPV 12/10/91		
06	REMOVED GROUND HOLE	TMZ	3/16/95	DEC.	INCHES			CHK	DWF 5/20/92		
05	REVERSE ROTATION WAS CW	SPV	6/3/94	.X	±.1		TITLE	APPD			
04	CHANGED ROTATION FROM CCW TO CW	MJS	3/9/93	.XX	±.01			SCALE	1=1		
03	REVISED ROTATION NOTE	DWF	1/6/93	.XXX	±.005		MAT'L.	REF			
02	ADDED GREEN LEAD	DWF	8/1/92	.XXXX	±.0005			FMF	M9131D2N22		
NO.	REVISION	BY & DATE	CHK	ANG	±1/2"		FINISH	PREV			
THIS DRAWING IN DESIGN AND DETAIL IS OUR PROPERTY AND MUST NOT BE USED EXCEPT IN CONNECTION WITH OUR WORK ALL RIGHTS OF DESIGN AND INVENTION ARE RESERVED THIS IS AN ELECTRONICALLY GENERATED DOCUMENT - DO NOT SCALE THIS PRINT				RFP	CAD FILE			M100512401	SIZE	DRAWING NO.	REV.
				DIST				A	M1005124.01	07	

LEESON ELECTRIC CORPORATION

TYPICAL PERFORMANCE CURVE FOR DIRECT CURRENT PERMANENT MAGNET MOTOR

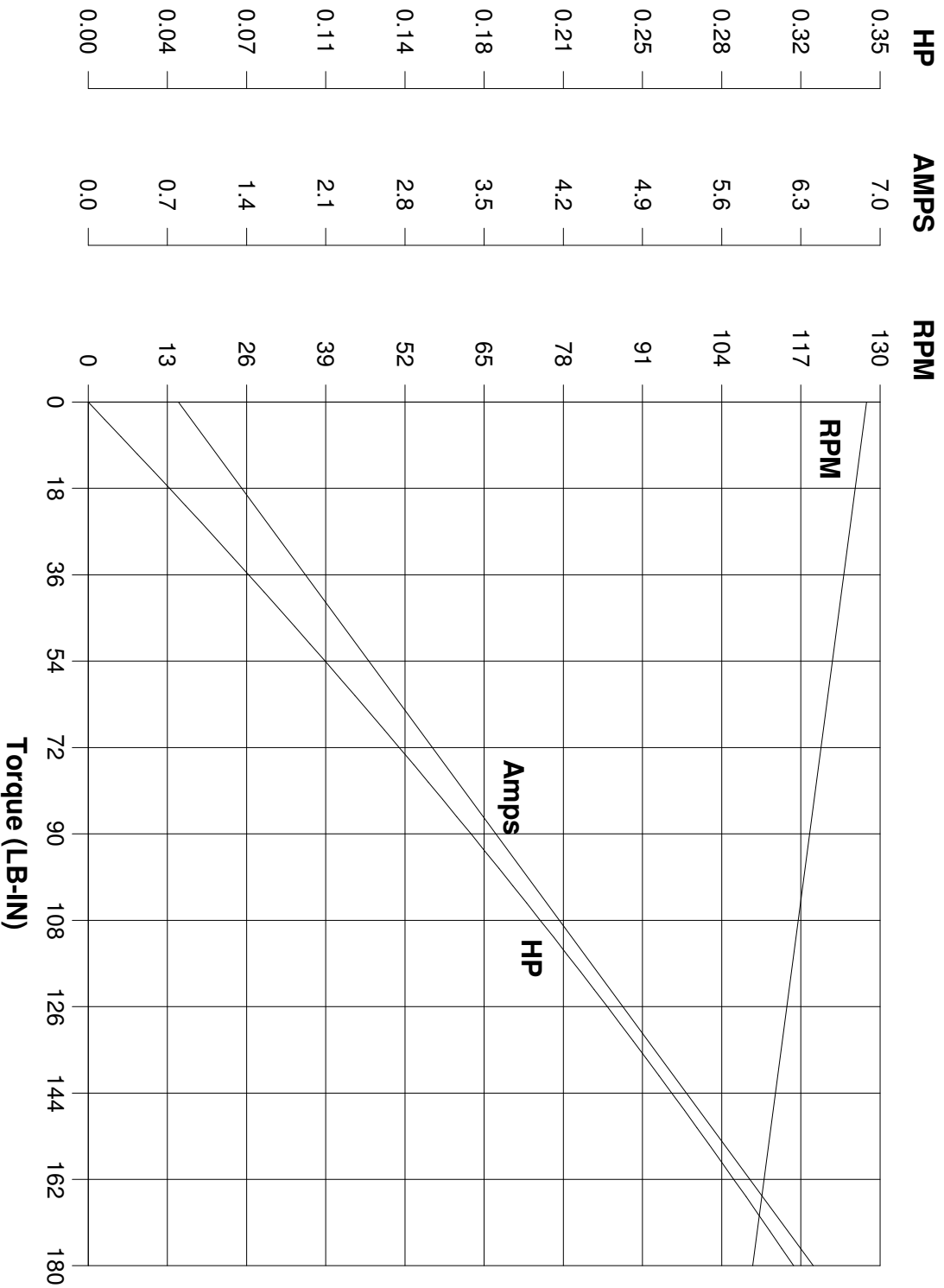
Model No. CM34D25NZ12

Catalog No. M1135044.00

HP 0.250 RPM 125 DC Volts 90.0 N.P. FLA 2.30

F.F. 1.38 Encl TENV Type DN S.F. 1.00

Max. Amb. 40.0 Deg C Insul. H Frame 34 Duty CONT



Ra <u>2.0700</u> Ohms La <u>9.984</u> mHenrys Ja <u>0.6440</u> LB-IN ^{1/2} Ke <u>34.50</u> V/KRPM	Kt <u>2.916</u> LB-IN/AMP I _{max} <u>38.3</u> AMPS Allowed FL Torque <u>90.00</u> LB-IN FL EFF <u>38.90</u> %
---	---

Winding W- MD342145-1 Prepared by V. Boehlen Date 12-01-2005