

# PRODUCT INFORMATION PACKET



Model No: M1125002.00  
Catalog No: M1125002.00  
0.06 HP DC Gearmotor, 30 RPM, 90 V, 30 Frame, TENV  
PZ Parallel Shaft DC Gearmotors



Regal and Leeson are trademarks of Regal Beloit Corporation or one of its affiliated companies.  
©2020 Regal Beloit Corporation, All Rights Reserved. MC017097E

The Regal logo is located in the bottom right corner. It features the word "REGAL" in a white, bold, sans-serif font, set against a dark grey, trapezoidal background. The background of the entire page on the right side is a blue gradient with a fine, repeating pattern.



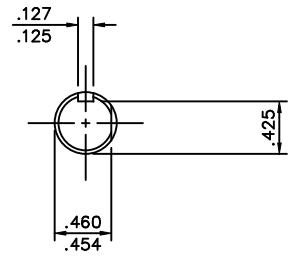
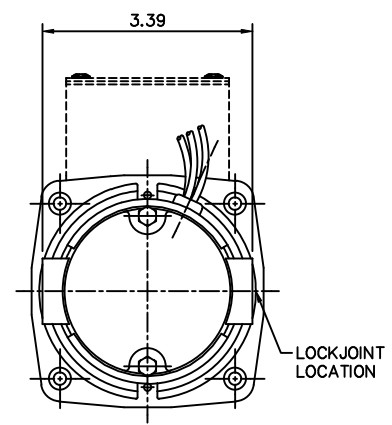
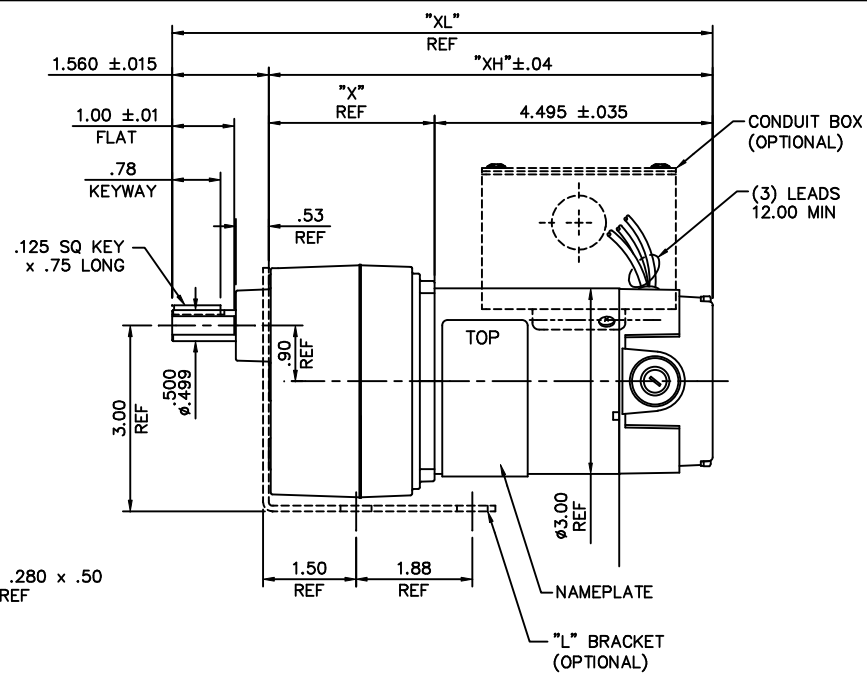
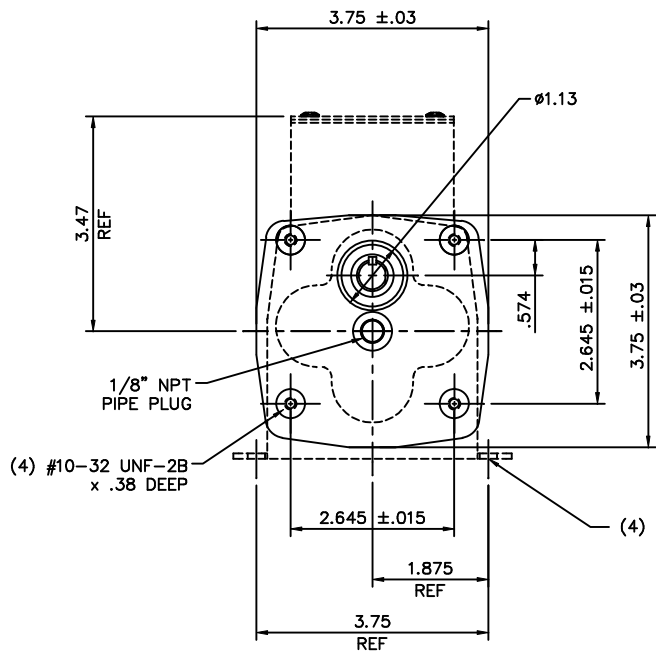
**Nameplate Specifications**

Output HP	0.06 Hp	Output KW	0.04 kW
Voltage	90 V	Current	0.80 A
Speed	30 rpm	Service Factor	1
Efficiency	55.1 %	Duty	Continuous
Insulation Class	F	Frame	30
Enclosure	Totally Enclosed Non Ventilated	Thermal Protection	No
Ambient Temperature	40 °C	Drive End Bearing Size	6000
Opp Drive End Bearing Size	6000	UL	Recognized
CSA	Y	CE	Y

**Technical Specifications**

Rotation	Reversible	Mounting	Special
Shaft Type	Parallel	Overall Length	9.30 in
Frame Length	2.99 in	Shaft Diameter	0.500 in
Shaft Extension	1 in		
Outline Drawing	M1030957-M1125002	Connection Drawing	M100530201

This is an uncontrolled document once printed or downloaded and is subject to change without notice. Date Created:30/12/2020



SHAFT DETAIL  
SCALE 2:1

CATALOG No.	VOLTS	HP	RATIO	TORQUE IN-LB	RPM	"XL" INCH	"XH" INCH	"X" INCH
M1115000.00	90	1/20	90:1	100	20	9.30	7.74	3.24
M1115001.00	90	1/20	180:1	100	10	9.30	7.74	3.24
M1115002.00	90	1/40	450:1	40	4	9.30	7.74	3.24
M1125002.00	90	1/17	60:1	100	30	8.74	7.18	2.68
M1125003.00	90	1/17	30:1	56	60	8.74	7.18	2.68
M1125004.00	90	1/17	18:1	36	100	8.74	7.18	2.68
M1125005.00	90	1/17	12:1	24	150	8.46	6.90	2.40
M1125006.00	90	1/17	6:1	10	300	8.46	6.90	2.40
M1125033.00	180	1/17	6:1	10	300	8.46	6.90	2.40
M1125034.00	180	1/17	12:1	24	150	8.46	6.90	2.40
M1125035.00	180	1/17	18:1	36	100	8.74	7.18	2.68
M1125036.00	180	1/17	30:1	56	60	8.74	7.18	2.68
M1125037.00	180	1/17	60:1	100	30	8.74	7.18	2.68
M1125046.00	180	1/40	450:1	40	4	9.30	7.74	3.24
M1125047.00	180	1/20	180:1	100	10	9.30	7.74	3.24
M1125048.00	180	1/20	90:1	100	20	9.30	7.74	3.24

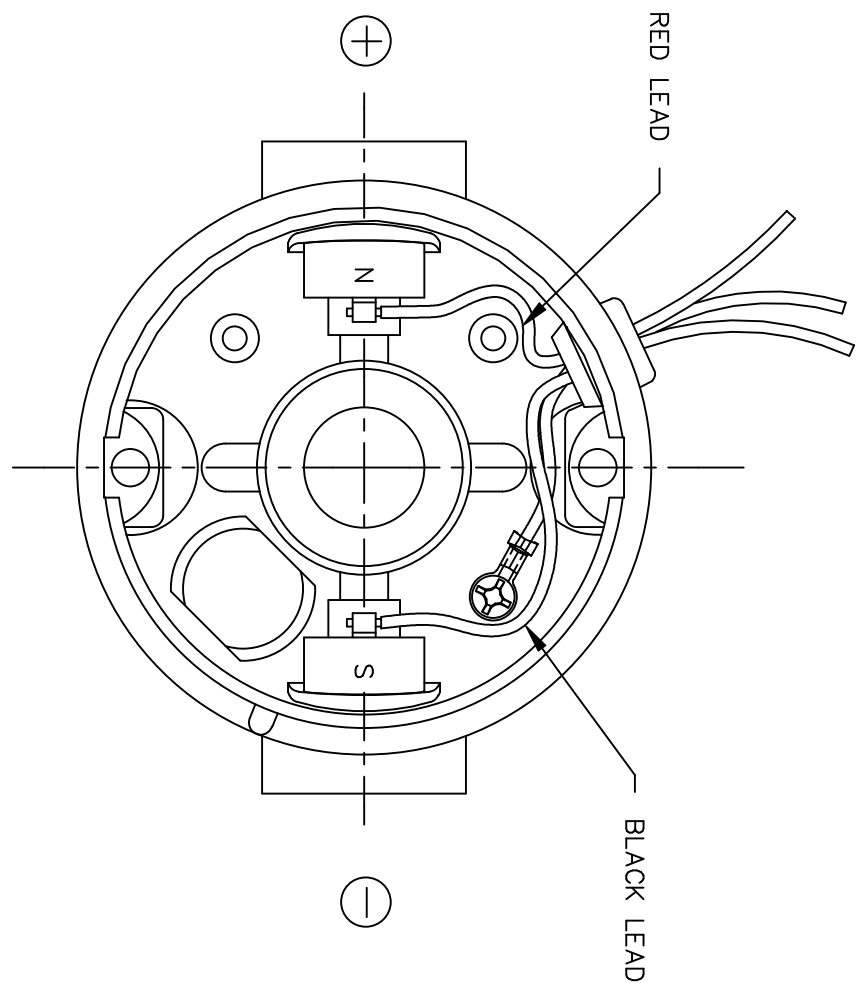
				TOLERANCES UNLESS SPECIFIED		ELECTRIC MOTORS GEARMOTORS AND DRIVES		DRAWN RWS 3/7/05	
				DEC. INCHES				CHK RPB 3/8/05	
				.X ±.1				APPD	
				.XX ±.03				SCALE 1=2	
				.XXX ±.005		TITLE		REF M1115000-1125048	
00 RELEASED COMM CONVERSION PROJECT				RWS 4/13/05		MAT'L		FMF M1115002.00	
NO. REVISION				BY & DATE		FINISH		PREV	
THIS DRAWING IN DESIGN AND DETAIL IS OUR PROPERTY AND MUST NOT BE USED EXCEPT IN CONNECTION WITH OUR WORK ALL RIGHTS OF DESIGN AND INVENTION ARE RESERVED THIS IS AN ELECTRONICALLY GENERATED DOCUMENT - DO NOT SCALE THIS PRINT				RFP		CAD FILE M1030957		SIZE B DRAWING NO. M1030957.00	
				DIST				REV. 00	

```
ERROR: syntaxerror  
OFFENDING COMMAND: --nostringval--
```


```
STACK:
```

```
 /im  
-savelevel-
```

D.C. MOTORS



EXTERNAL CONNECTIONS FOR CW ROTATION  
 VIEWING LEAD END OF MOTOR WITH RED LEAD  
 POSITIVE (+) AND BLACK LEAD NEGATIVE (-)  
 FOR CCW ROTATION REVERSE POLARITY

				TOLERANCES UNLESS SPECIFIED		 ELECTRIC MOTORS GEARMOTORS AND DRIVES	DRAWN RWS 3/15/05 CHK RPB 3/15/05 APPD			
				DEC.	INCHES		TITLE	SCALE 1=1		
				.X	±.1		CONNECTION DIAGRAM	REF 901.706		
				.XX	±.01			MAT'L.	FMF	
				.XXX	±.005			FINISH	PREV	
00	RELEASED COMM CONVERSION PROJECT	RWS 4/13/05	RPB	.XXXX	±.0005	CAD FILE	M100530201	SIZE	DRAWING NO.	REV.
NO.	REVISION	BY & DATE	CHK	ANG	±1/2"	DIST		A	M1005302.01	00

THIS DRAWING IN DESIGN AND DETAIL IS OUR PROPERTY AND MUST NOT BE USED EXCEPT IN CONNECTION WITH OUR WORK ALL RIGHTS OF DESIGN AND INVENTION ARE RESERVED THIS IS AN ELECTRONICALLY GENERATED DOCUMENT - DO NOT SCALE THIS PRINT

# LEESON ELECTRIC CORPORATION

## TYPICAL PERFORMANCE CURVE FOR DIRECT CURRENT PERMANENT MAGNET MOTOR

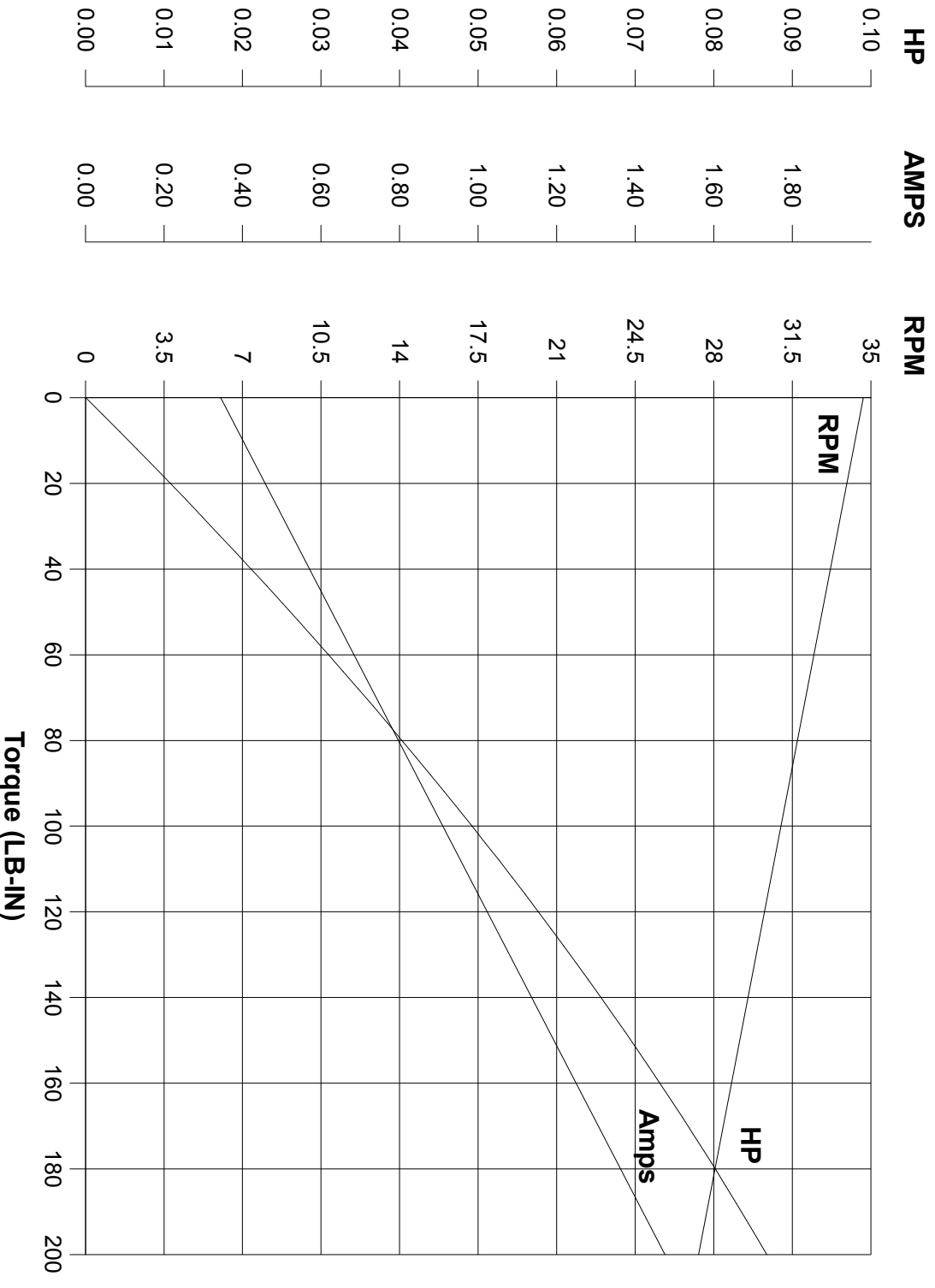
Model No. 985.627

Catalog No. M1125002.00

HP 0.059 RPM 30 DC Volts 90.0 N.P. FLA 0.80

F.F. 1.38 Encl TENV Type DN S.F. 1.00

Max. Amb. 40.0 Deg C Insul. F Frame 30 Duty CONT



Ra 14.400 Ohms  
 La 55.99 mHenrys  
 Ja 3.864 OZ-IN<sup>2</sup>  
 Ke 39.31 V/KRPM

Kt 3.322 LB-IN/AMP  
 I<sub>max</sub> 8.2 AMPS Allowed  
 FL Torque 100.0 LB-IN  
 FL EFF 55.10 %

Winding W- MD302118-2 Prepared by V. Boehlen Date 05-17-2018