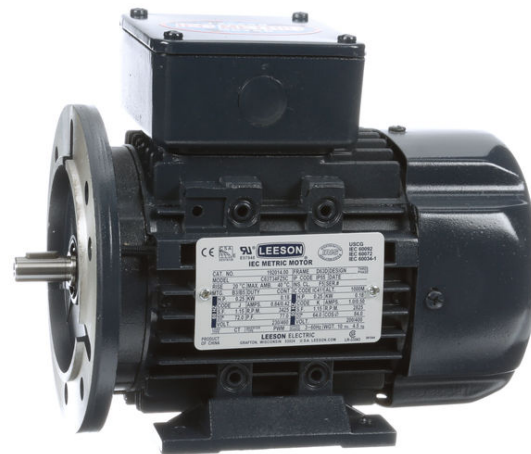


PRODUCT INFORMATION PACKET



Model No: 192014.00
Catalog No: 192014.00
0.25 HP General Purpose, 3 phase, 3600 RPM, 230/460 V, 63D Frame, TEFC
Aluminium TEFC Motors



Regal and Leeson are trademarks of Regal Beloit Corporation or one of its affiliated companies.
©2020 Regal Beloit Corporation, All Rights Reserved. MC017097E





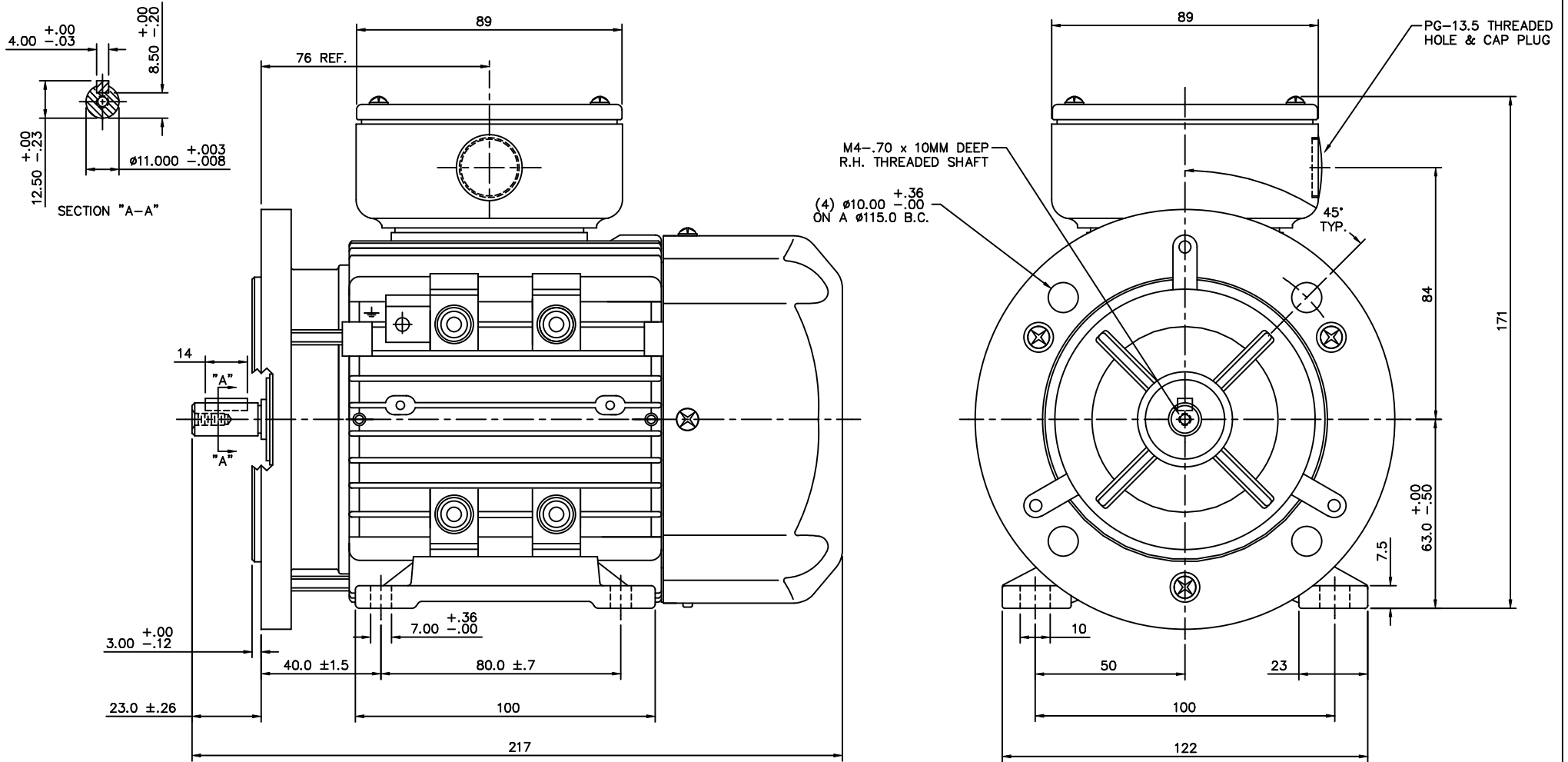
Nameplate Specifications

Output HP	0.25 Hp	Output KW	0.19 kW
Frequency	60 Hz	Voltage	230/460 V
Current	0.84/0.42 A	Speed	3430 rpm
Service Factor	1.15	Phase	3
Efficiency	72 %	Power Factor	77
Duty	Continuous	Insulation Class	F
Design Code	B	KVA Code	J
Frame	63	Enclosure	Totally Enclosed Fan Cooled
Thermal Protection	No	Ambient Temperature	40 °C
Drive End Bearing Size	6202	Opp Drive End Bearing Size	6202
UL	Recognized	CSA	Y
CE	Y	IP Code	55

Technical Specifications

Electrical Type	Squirrel Cage Inverter Rated	Starting Method	Line Or Inverter
Poles	2	Rotation	Reversible
Resistance Main	23.5 Ohms	Mounting	Round
Motor Orientation	Horizontal	Drive End Bearing	Ball
Opp Drive End Bearing	Ball	Frame Material	Aluminum
Shaft Type	IEC	Overall Length	8.54 in
Frame Length	4.44 in	Shaft Diameter	0.437 in
Shaft Extension	0.9 in	Assembly/Box Mounting	F3
Connection Drawing	005465.01	Outline Drawing	16986700

This is an uncontrolled document once printed or downloaded and is subject to change without notice. Date Created:14/10/2020

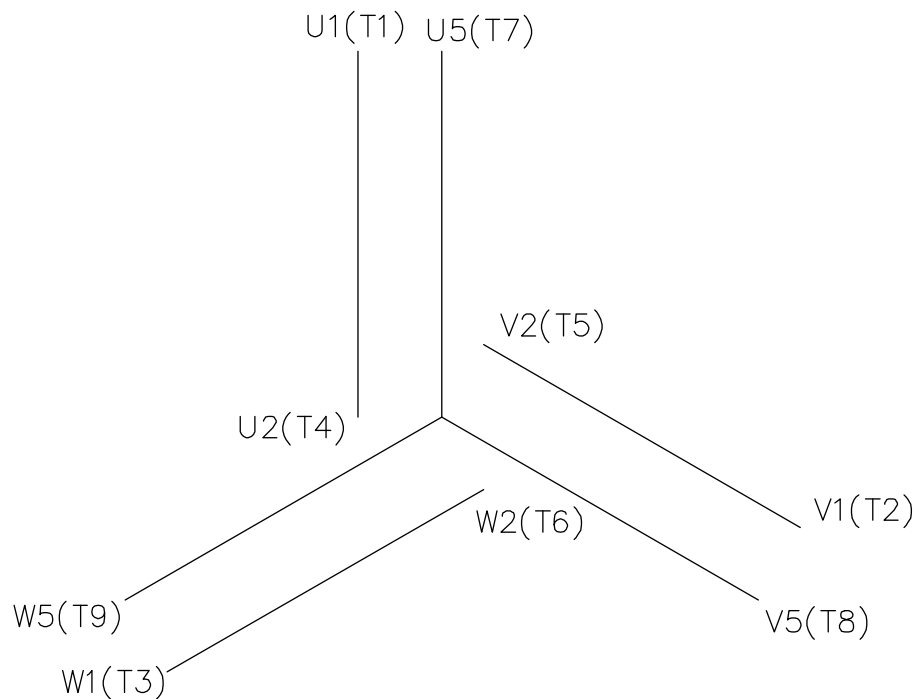


		TOLERANCES UNLESS SPECIFIED			ELECTRIC MOTORS GEARMOTORS AND DRIVES	DRAWN	ADS 01/31/02		
		DEC.	METRIC			CHK			
		.X	± 2.5			APPD			
		.XX	$\pm .76$			TITLE	METRIC MOTOR OUTLINE, IMB35		
		.XXX	$\pm .127$			REF	OSVC-300-570		
		.XXXX	$\pm .0127$	MAT'L	ALUMINUM	FMF	LEESON STOCK		
NO.	REVISION	BY & DATE	CHK	ANG	$\pm 1/2^\circ$	FINISH	PREV		
THIS DRAWING IN DESIGN AND DETAIL IS OUR PROPERTY AND MUST NOT BE USED EXCEPT IN CONNECTION WITH OUR WORK ALL RIGHTS OF DESIGN AND INVENTION ARE RESERVED THIS IS AN ELECTRONICALLY GENERATED DOCUMENT - DO NOT SCALE THIS PRINT				RFP	CAD FILE	16986700	SIZE	DRAWING NO.	REV.
				DIST			B	169867-00	

```
ERROR: syntaxerror  
OFFENDING COMMAND: --nostringval--
```

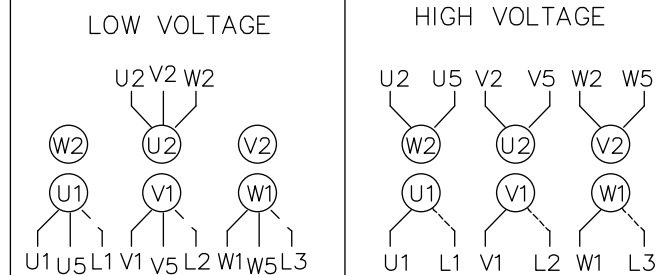
```
STACK:
```

```
/CB  
-dictionary-  
/Pscript_WinNT_Compact  
-dictionary-
```



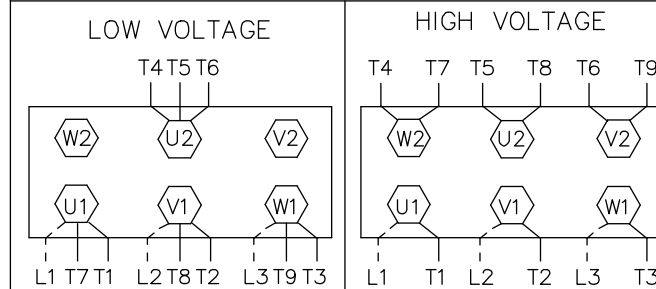
REF. DECAL (IEC) 080644
REF. DECAL (NEMA) 080446

IEC MARKINGS



LINE VOLTAGE	L1	L2	L3	JOIN		
TERMINAL	U1	V1	W1	W2	U2	V2
LOW	U1,U5	V1,V5	W1,W5	---	U2,V2,W2	---
HIGH	U1	V1	W1	U2,U5	V2,V5	W2,W5

NEMA MARKINGS



LINE VOLTAGE	L1	L2	L3	JOIN		
TERMINAL	U1	V1	W1	W2	U2	V2
LOW	T1, T7	T2, T8	T3, T9	---	T4,T5,T6	---
HIGH	T1	T2	T3	T4, T7	T5, T8	T6, T9

TOLERANCES UNLESS SPECIFIED

DEC.	INCHES
.X	±.1
.XX	±.01
.XXX	±.005
.XXXX	±.0005
ANG	±1/2'



ELECTRIC MOTORS
GEARMOTORS
AND DRIVES

DRAWN MGM 12/3/02

CHK

APPD

SCALE 1=1

REF 00537703

FMF

PREV

TITLE EXTERNAL WIRING DIAGRAM
3 PHASE - DUAL VOLTAGE - W/TERM BLOCK

MAT'L. IEC/NEMA MARKINGS

FINISH THERMAL TRANSFER

NO.	REVISION	BY & DATE	CHK	ANG
01	NEMA LV CONNECTION WAS INCORRECT	RLW 8/4/03		

THIS DRAWING IN DESIGN AND DETAIL IS OUR PROPERTY AND MUST NOT BE USED EXCEPT IN CONNECTION WITH OUR WORK ALL RIGHTS OF DESIGN AND INVENTION ARE RESERVED THIS IS AN ELECTRONICALLY GENERATED DOCUMENT - DO NOT SCALE THIS PRINT

RFP
DIST

CAD FILE 00546501

SIZE A
DRAWING NO. 005465-01
REV. 01



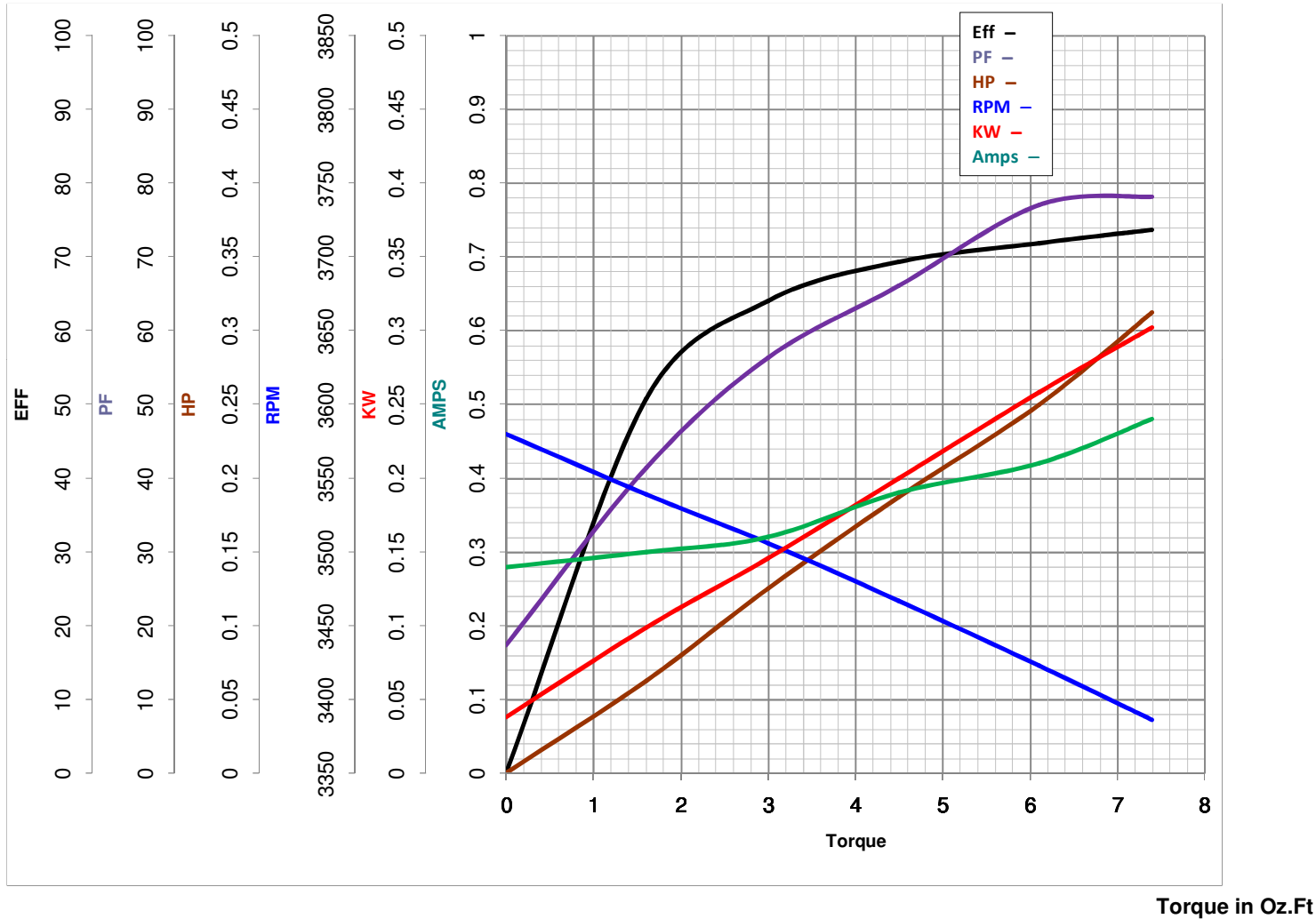
LEESON ELECTRIC CORPORATION
 TYPICAL PERFORMANCE CURVE for AC MOTOR

Model No 192014.00

Catalog No 192014.00

Curve at 460 Volts HP 0.25&0.25 PHASE 3
60 HZ
0.25 HP VOLTS 230/460&200/400

HZ 60&50 RPM 3430&2760



FL TORQUE 6.1 Oz.Ft
 BD TORQUE 21.0 Oz.Ft
 LR TORQUE 18 Oz.Ft

FL AMPS 84/42
 PU TORQUE 16.0 Oz.Ft
 LR AMPS 2.55

WINDING QT6321-3

Date 5/22/2018