

RS PRO Photoelectric Sensor

RS Stock No.: 2024424, 2024425, 2024426, 2024427, 2024428, 2024429,
2024431, 2024432, 2024433, 2024434, 2024435, 2024436

FEATURES

- Universal housing, an ideal replacement for a wide range of sensor types
- IP67, suitable for harsh environments
- One-click distance setting, accurate and fast
- Suitable for the detection of high light objects and some trans-parent objects
- NO and NC are switchable



RS Professionally Approved Products bring to you professional quality parts across all product categories. Our product range has been tested by engineers and provides a comparable quality to the leading brands without paying a premium price.

Part Number Description

Part number	Sensing distance	Light source	Output	Connection
2024428	10cm (adjustable)	Infrared (860nm)	NPN NO/NC	2m PVC cable
2024431	10cm (adjustable)	Infrared (860nm)	PNP NO/NC	2m PVC cable
2024429	10cm (adjustable)	Infrared (860nm)	NPN NO/NC	M8 connector
2024432	10cm (adjustable)	Infrared (860nm)	PNP NO/NC	M8 connector
2024433	30cm (adjustable)	Red light (640nm)	NPN NO/NC	2m PVC cable
2024435	30cm (adjustable)	Red light (640nm)	PNP NO/NC	2m PVC cable
2024434	30cm (adjustable)	Red light (640nm)	NPN NO/NC	M8 connector
2024436	30cm (adjustable)	Red light (640nm)	PNP NO/NC	M8 connector
2024424	100cm (adjustable)	Infrared (860nm)	NPN NO/NC	2m PVC cable
2024426	100cm (adjustable)	Infrared (860nm)	PNP NO/NC	2m PVC cable
2024425	100cm (adjustable)	Infrared (860nm)	NPN NO/NC	M8 connector
2024427	100cm (adjustable)	Infrared (860nm)	PNP NO/NC	M8 connector

General Specifications

Detection Type	Diffuse reflection
Response Time	≤ 1ms
Hysteresis	3...20%
Indicator	Green light: power, stable signal (Flashing means unstable signal) ; Yellow light: output, overload or short circuit (flash)
Operating Temperature	-25°C...55 °C
Storage temperature	-25°C...70 °C
Anti-ambient light	Anti-sunlight interference ≥ 10,000lux; Incandescent light interference ≥ 3,000lux

Electrical Specifications

Operating Supply Voltage	10...30 VDC
Current Consumption	≤ 25mA
Voltage Drop	≤ 1V
Load Current	≤ 200mA
Reverse Polarity Protection	YES
Overload Protection	YES
Short Circuit Protection	YES

Mechanical Specifications

Body Style	Block
Mounting Type	Screw
Housing Material	PC+ABS
Lens/Face Material	PMMA
Dimensions	32.5*20*10.6mm
Gross Weight	50g (connector type) / 85g (cable type)

Protection Category

IP Rating	IP67
------------------	------

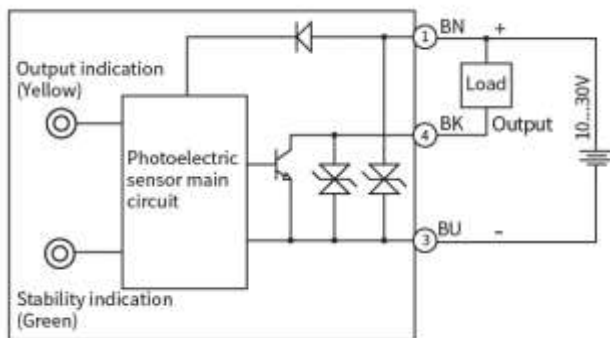
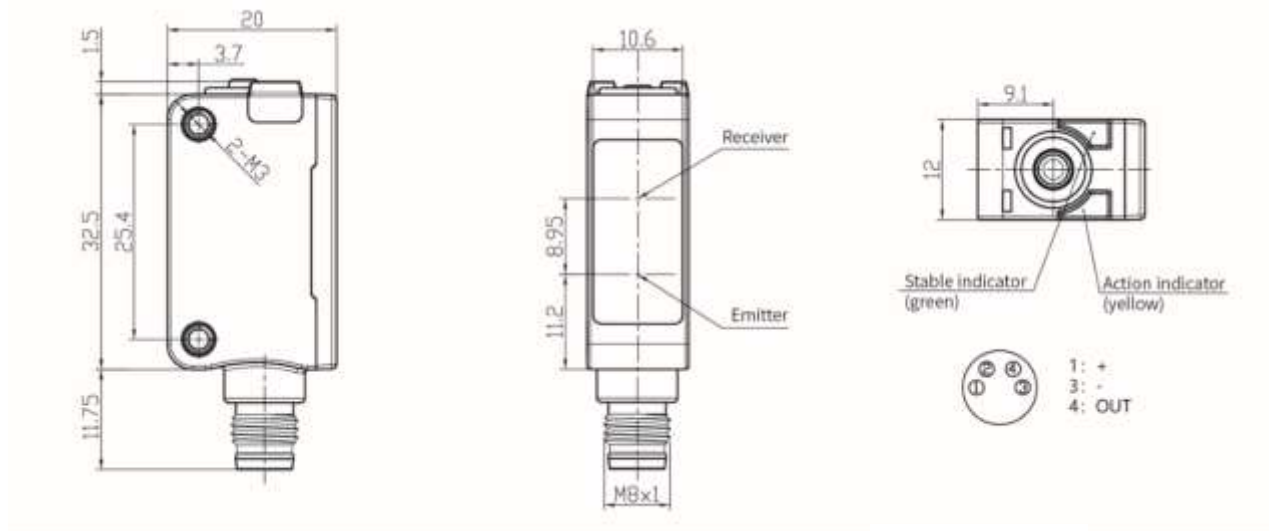
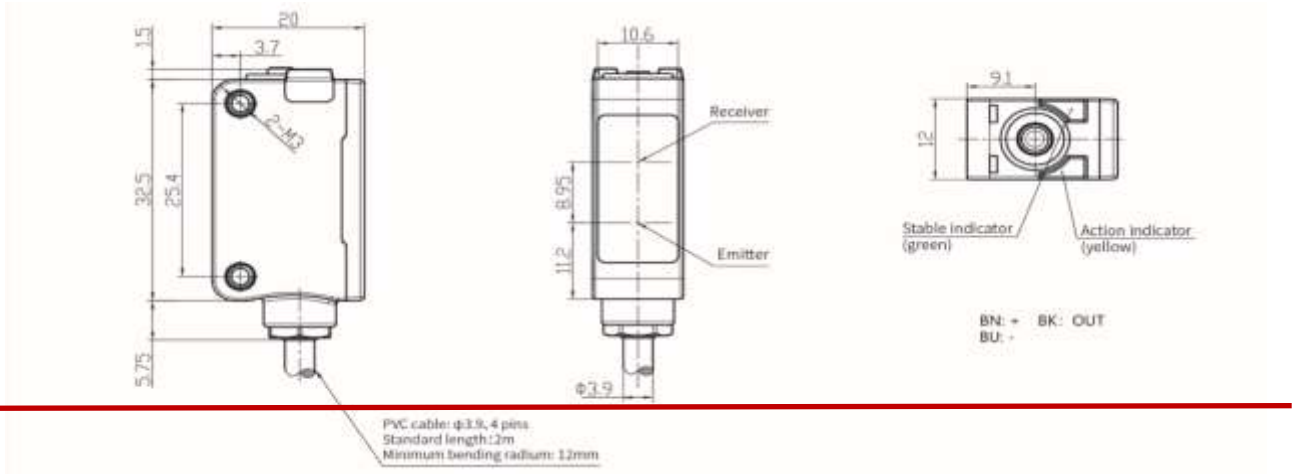
Additional Information

Custom Tariff Number/HS code	903180
NO/NC adjustment	Press the button for 5...8s, when the yellow and green light flash synchronously at 2Hz, leave the button and finish NO/NC adjustment.
Distance adjustment	Press the button for 2...5s, when the yellow and green light flash synchronously at 4Hz, leave the button and finish the distance setting; If the yellow and green light flash asynchronously @8Hz for 3s, setting fails and the product distance goes to the maximum.

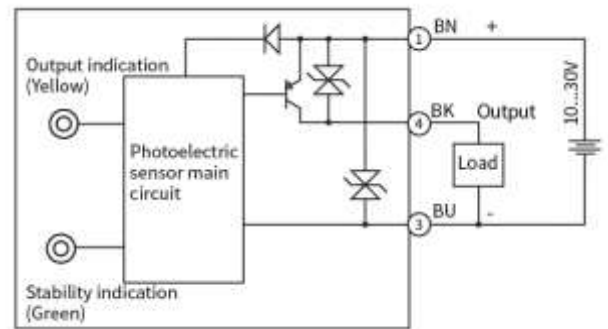
Approvals

Compliance/Certifications	CE
----------------------------------	----

Dimension and Wiring



NPN



PNP