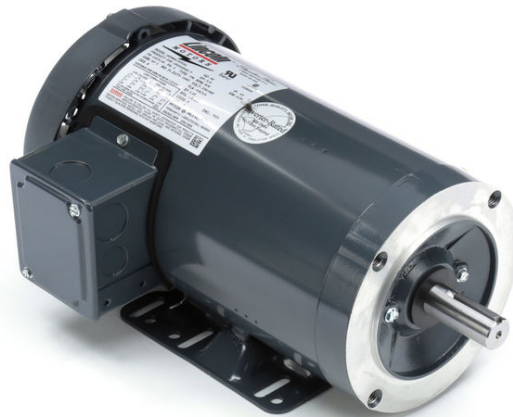


PRODUCT INFORMATION PACKET



Model No: SSF6S0.75TC61
Catalog No: LM24273
3/4, 1200, TEFC, 143TC, 3/60/208-230/460
Totally Enclosed Fan Cooled (TEFC)



Regal and Leeson are trademarks of Regal Beloit Corporation or one of its affiliated companies.
©2018 Regal Beloit Corporation, All Rights Reserved. MC017097E





Nameplate Specifications

Output HP	0.75 Hp	Output KW	0.56 kW
Frequency	60 Hz	Voltage	230/460 V
Current	3.2/1.6 A	Speed	1145 rpm
Service Factor	1.15	Phase	3
Efficiency	74 %	Duty	Continuous
Insulation Class	F	Design Code	B
KVA Code	K	Frame	143TC
Enclosure	Totally Enclosed Fan Cooled	Overload Protector	No
Ambient Temperature	40 °C	Drive End Bearing Size	205
Opp Drive End Bearing Size	203	UL	Recognized
CSA	Y	CE	Y
IP Code	43		

Technical Specifications

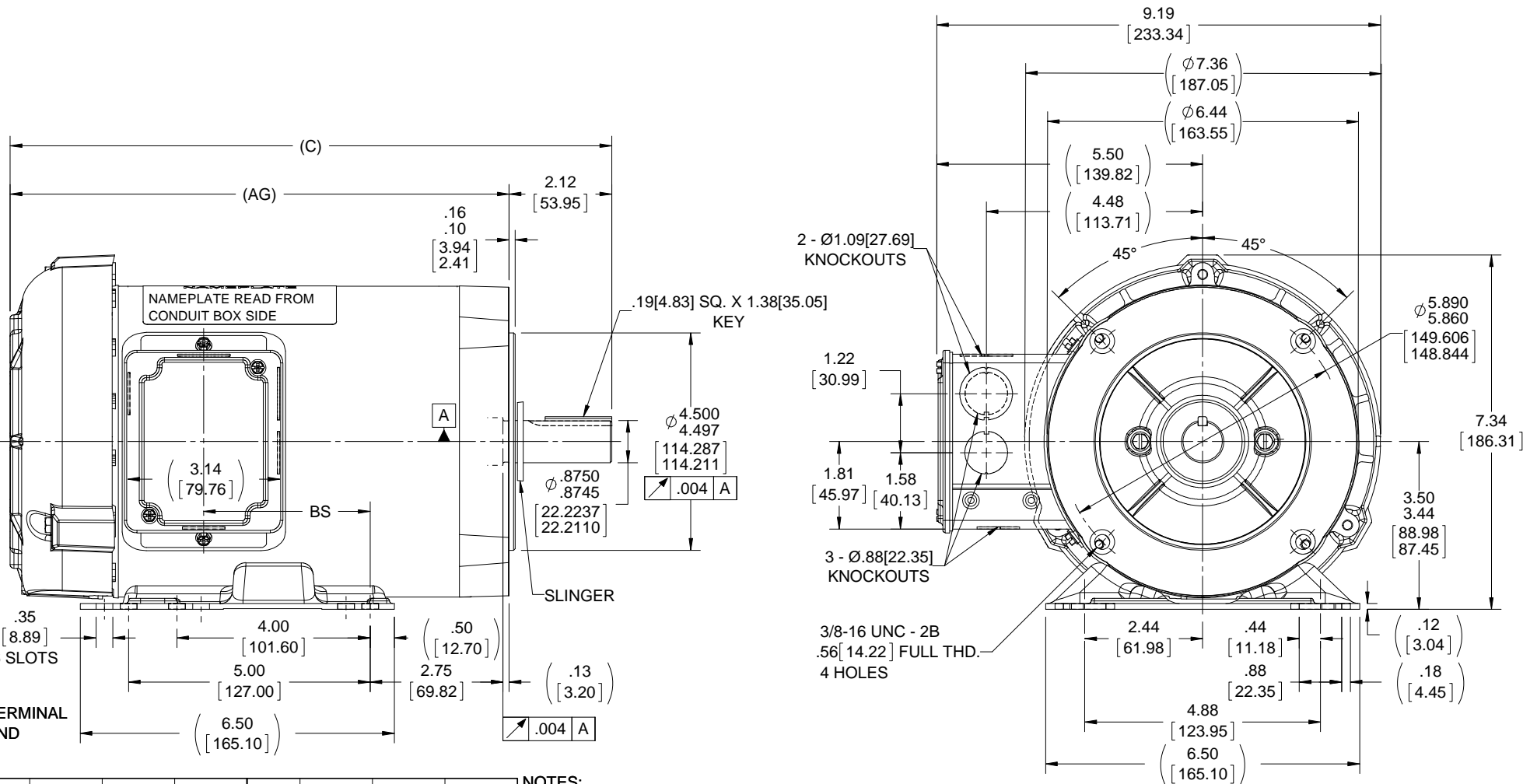
Electrical Type	Squirrel Cage Induction Run	Starting Method	Across The Line
Poles	6	Rotation	Reversible
Mounting	Rigid base	Motor Orientation	HORIZONTAL
Drive End Bearing	BALL	Opp Drive End Bearing	BALL
Frame Material	Rolled Steel	Shaft Type	T
Overall Length	12.37 in	Frame Length	7.06 in
Shaft Diameter	0.875 in	Shaft Extension	2.25 in
Assembly/Box Mounting	F1 ONLY		
Outline Drawing	A-100106LN-706	Connection Diagram	A-EE7308-LN

B

A

B

A



DASH	C	AG	BS	DASH	C	AG	BS
706	12.45 [316.23]	10.33 [262.38]	3.95 [100.33]	856	13.95 [354.33]	11.83 [300.48]	5.45 [138.43]
756	12.95 [328.93]	10.83 [275.08]	4.45 [113.03]	906	14.45 [367.03]	12.33 [313.18]	5.95 [151.13]
806	13.45 [341.63]	11.33 [287.78]	4.95 [125.73]	956	14.95 [379.73]	12.83 [325.88]	6.45 [163.83]

NOTES:
1) CONDUIT BOX CAN BE ROTATED IN 180° STEPS.

DRAWING REVISION D
ECO ECO-0143026

REVISION BY T AHER
APPROVED BY PST

DATE 02/07/2018
DATE 04/11/2018

TOLERANCES UNLESS OTHERWISE SPECIFIED:
DEC. INCH mm ANGLE
X +0.1 [+2.5] ±7-30°
.XX ±0.03 [+0.76]
.XXX ±0.005 [+0.127]
.XXXX ±0.0005 [+0.0127]

REMOVE BURRS & BREAK SHARP EDGES: .003/.015 [0.076/.381] X 45°
CORNER FILLETS: R.02 [51]
MACHINED SURFACES: 200 INCH mm 5.1
mm SHOWN IN [BRACKETS]

DRAWN BY MSG
DATE 11/01/2000

APPROVED BY GK
DATE 11/01/2000

REFERENCE 100106LN

THIRD ANGLE PROJECTION

REGAL™ Regal Beloit America, Inc.

OUTLINE
140T FR. - TEFC - C' FACE

MATERIAL PROCESS/FINISH

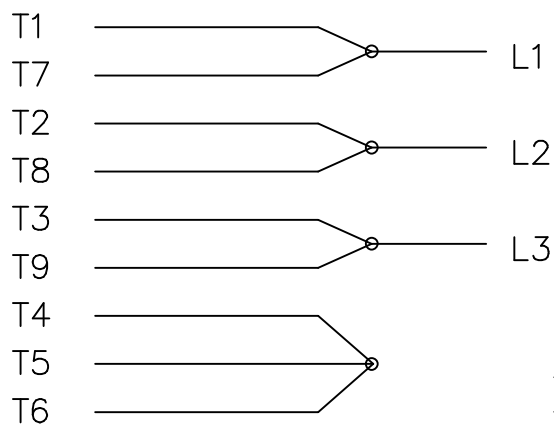
SIZE B DRAWING NUMBER 100106LN SHEET 1 OF 1

THREE PHASE
DUAL VOLTAGE MOTOR

HIGH VOLTAGE



LOW VOLTAGE



VIEW OF TERMINAL END

REF.
WINDING DIAGRAM

T8Y, T2Y, T2BL, T4BX, T2EC, T2G
T6BZ, T2B, T6BL, T4AV, T6B, T4B

OPTIONAL CORD
CONNECTION

L1 — WHITE
L2 — RED
L3 — BLACK

NO.	REVISION	BY & DATE	CHK	TOLERANCES UNLESS SPECIFIED		FINISH	DRAWN BLR 06/11/1999			
				DEC.	INCHES					
				.X	±.1		CHK ML 06/18/1999			
							APPD GK 06/18/1999			
3	ADDED THE OPTIONAL CORD CONNECTION MU46318	RDH 04/24/2003	DRS	.XX	±.02	TITLE CONNECTION DIAGRAM	SCALE 1=1			
2	RE-ISSUE, ADDED '-' TO PART NUMBER	BLR 08/09/1999	GK	.XXX	±.005	3∅ - DUAL VOLTAGE MOTOR	REF			
1	NEW DRAWING	BLR 06/18/1999	GK	.XXXX	±.0005	MAT'L.	FMF			
				ANG	±7'30"		PREV			
THIS DRAWING IN DESIGN AND DETAIL IS OUR PROPERTY AND MUST NOT BE USED EXCEPT IN CONNECTION WITH OUR WORK ALL RIGHTS OF DESIGN AND INVENTION ARE RESERVED THIS IS AN ELECTRONICALLY GENERATED DOCUMENT - DO NOT SCALE THIS PRINT				RFP	CAD FILE EE7308LN		SIZE A	DRAWING NO. EE7308-LN	PAGE OF 3	REV. 3
				DIST WP						





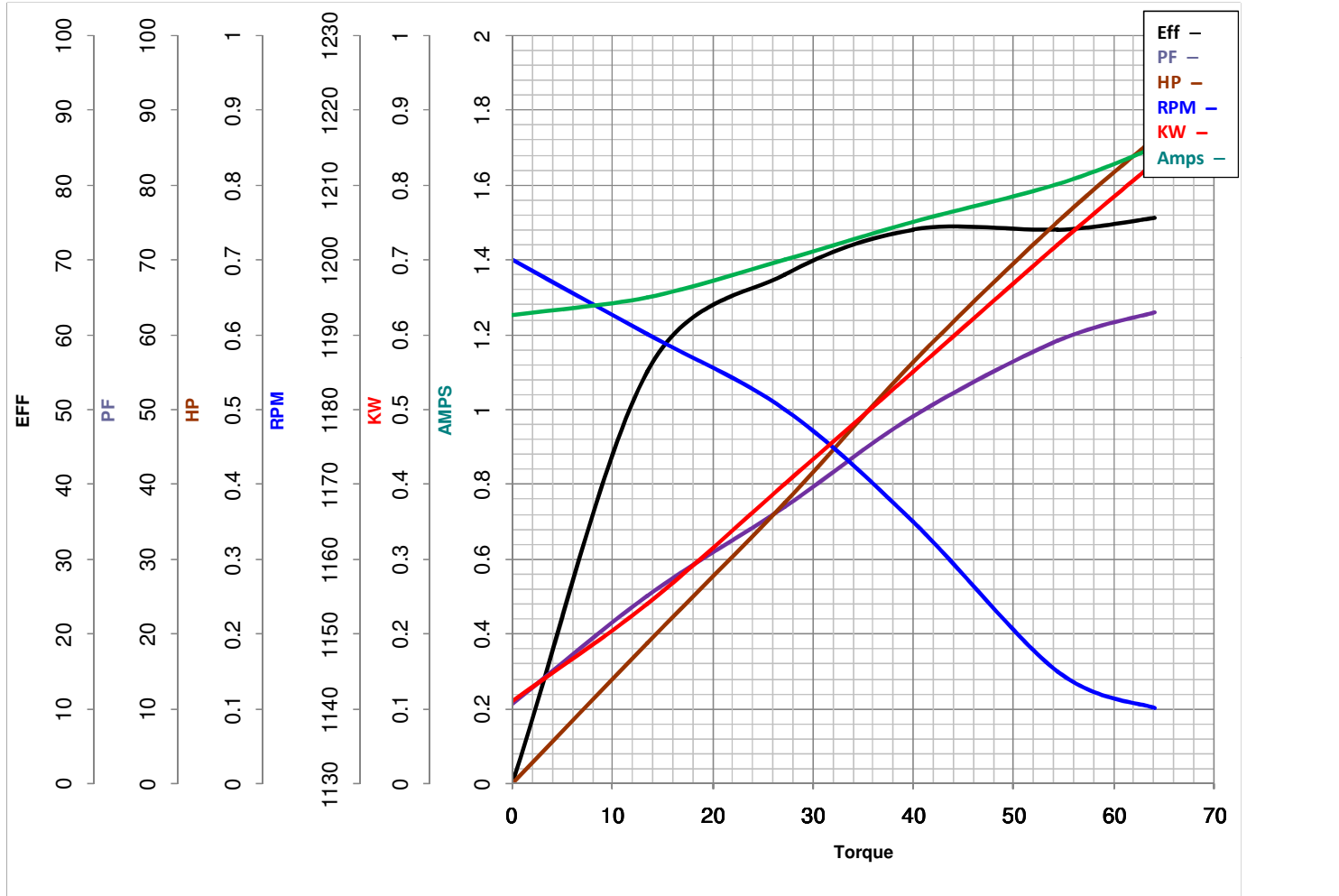
LEESON ELECTRIC CORPORATION
TYPICAL PERFORMANCE CURVE for AC MOTOR

Model No LM24273

Curve at 460 Volts HP 0.75 PHASE 3
60 HZ
0.75 HP VOLTS 230/460

Catalog No LM24273AA

HZ 60 RPM 1145



FL TORQUE 54.4 Oz.Ft
BD TORQUE 200.0 Oz.Ft
LR TORQUE 140.8 Oz.Ft

FL AMPS 3.2/1.6
PU TORQUE 126.4 Oz.Ft
LR AMPS 8.5

WINDING ZT607-3

Date 5/22/2018