

PRODUCT INFORMATION PACKET



Model No: A4K17DR18A

Catalog No: E100109.00

1/4HP..1725RPM.48.DP.115/208-230V.1PH.60HZ.CONT.AUTOMATIC.40C.1.35SF.RESILIENT BASE.

Open Drip Proof (ODP)



Regal and Leeson are trademarks of Regal Beloit Corporation or one of its affiliated companies.

©2018 Regal Beloit Corporation, All Rights Reserved. MC017097E





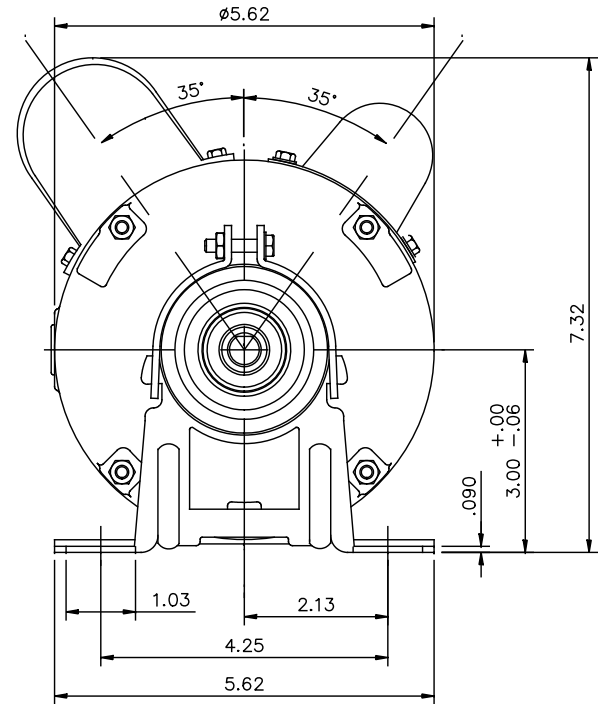
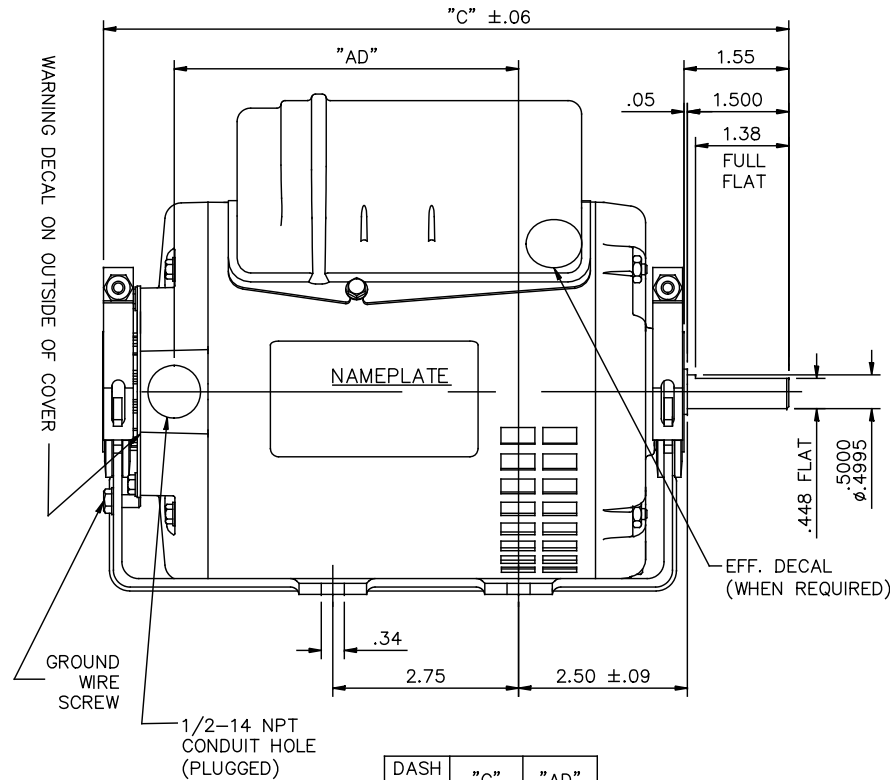
Nameplate Specifications

Output HP	0.25 Hp	Output KW	0.19 kW
Frequency	60 Hz	Voltage	115/230 V
Current	2.4/1.2 A	Speed	1725 rpm
Service Factor	1.35	Phase	1
Efficiency	68.5 %	Duty	Continuous
Insulation Class	F	Design Code	N
KVA Code	M	Frame	48
Enclosure	Drip Proof	Overload Protector	Automatic
Ambient Temperature	40 °C	Drive End Bearing Size	6203
Opp Drive End Bearing Size	6203	UL	Recognized
CSA	Y	CE	Y
IP Code	22		

Technical Specifications

Electrical Type	Capacitor Start Capacitor Run	Starting Method	Across The Line
Poles	4	Rotation	Selective Clockwise
Mounting	Resilient Base	Motor Orientation	HORIZONTAL
Drive End Bearing	BALL	Opp Drive End Bearing	BALL
Frame Material	Rolled Steel	Shaft Type	NEMA 48
Overall Length	11.14 in	Frame Length	6.75 in
Shaft Diameter	0.500 in	Shaft Extension	1.5 in
Assembly/Box Mounting	F1 ONLY		
Outline Drawing	SS404219-675	Connection Diagram	EE9002CN

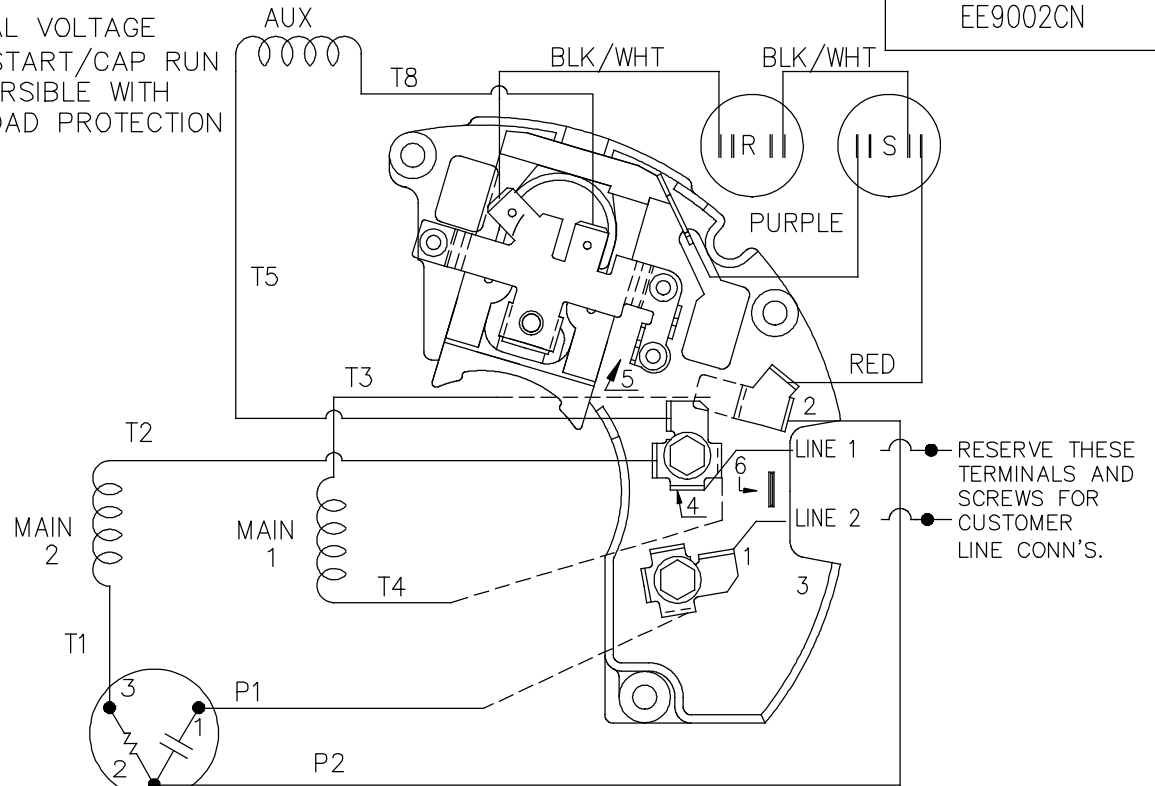
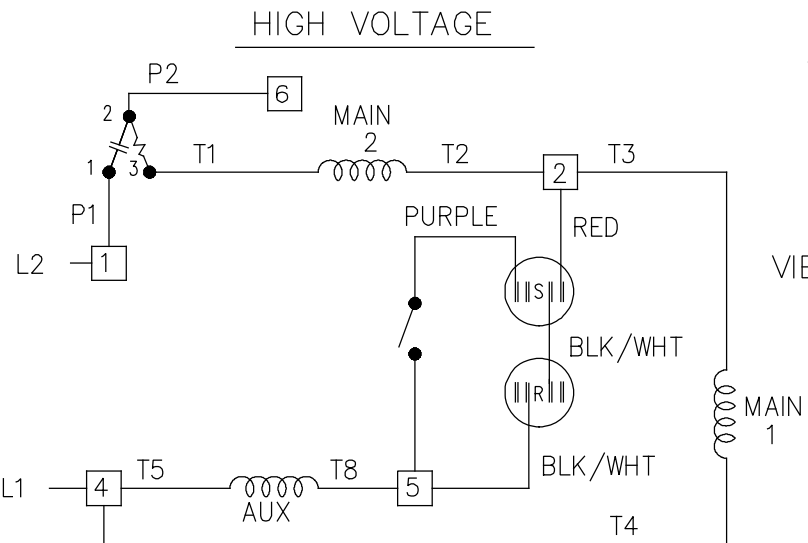
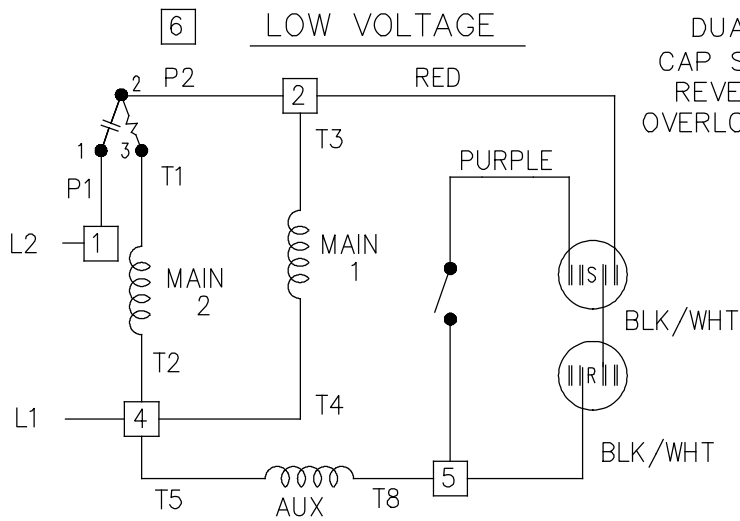
SS404219



DASH NO.	"C"	"AD"
500	9.39	4.34
550	9.89	4.84
600	10.39	5.34
625	10.64	5.59
650	10.89	5.84
675	11.14	6.09
700	11.39	6.34
750	11.89	6.84

		TOLERANCES UNLESS SPECIFIED		REGAL™ Regal Beloit America, Inc.		DRAWN PVR 09/28/16	
		DEC.	INCHES			CHK	
		.X	±.1			APPD	
		.XX	±.03	TITLE OUTLINE		SCALE NTS	
B ADDED DASH # 625		AS 12-28-16	PVR .XXX ±.005	S56 FRAME ROUND MOUNT - DRIP PROOF		REF 031623	
A ADDED DASH # 700 & #750		AS 11-14-16	PVR .XXXX ±.0005	MAT'L.		FMF	
NO.	REVISION	BY & DATE	CHK	ANG	±7'30"	FINISH	PREV
THIS DRAWING IN DESIGN AND DETAIL IS OUR PROPERTY AND MUST NOT BE USED EXCEPT IN CONNECTION WITH OUR WORK ALL RIGHTS OF DESIGN AND INVENTION ARE RESERVED THIS IS AN ELECTRONICALLY GENERATED DOCUMENT - DO NOT SCALE THIS PRINT			RFP	CAD FILE SS404219		SIZE A	DRAWING NO. PAGE 1 OF 1 REV. B
			DIST WP			SS404219	

EE9002CN



VIEWING TERM END

LOW VOLTAGE CW LEAD END ROTATION SHOWN.

FOR HIGH VOLTAGE
CONNECT P2 TERM 2 TO TERM 6.
CONNECT T2 TERM 4 TO TERM 2.

TO REVERSE ROTATION EITHER
VOLTAGE INTERCHANGE RED
LEAD WITH T5 LEAD.

DASH LINES INDICATE LEADS CONNECTED
TO MOTOR SIDE OF SWITCH.

		TOLERANCES UNLESS SPECIFIED		REGAL™ Regal Beloit America, Inc.	DRAWN
		DEC.	INCHES		MVG 03/24/2017
		.X	± -		CHK PVR 03/24/2017
		.XX	± -		APPD PVR 03/24/2017
B	CHANGED IN NOTES FROM LEAD T8 TO RED	MVG 09/14/17	GS .XXX ± -	TITLE CONNECTION DIAGRAM	SCALE NTS
A	NEW CONNECTION DWG	MVG 03/24/2017	PVR .XXXX ± -	48 FR. DUAL VOLTAGE REVERSIBLE	REF EE9002CB
NO.	REVISION	BY & DATE	CHK ANG ± -	MAT'L.	FMF
				FINISH	PREV
THIS DRAWING IN DESIGN AND DETAIL IS OUR PROPERTY AND MUST NOT BE USED EXCEPT IN CONNECTION WITH OUR WORK ALL RIGHTS OF DESIGN AND INVENTION ARE RESERVED THIS IS AN ELECTRONICALLY GENERATED DOCUMENT - DO NOT SCALE THIS PRINT			RFP	CAD FILE EE9002CN	SIZE A
			DIST WP		DRAWING NO. EE9002CN
					PAGE 1 OF 1
					REV. B

