

PRODUCT INFORMATION PACKET



Model No: M1135042.00
Catalog No: M1135042.00
0.25 HP DC Gearmotor, 62 RPM, 90 V, 34 Frame, TENV
Other Right Angle DC Gearmotors



Regal and Leeson are trademarks of Regal Beloit Corporation or one of its affiliated companies.
©2020 Regal Beloit Corporation, All Rights Reserved. MC017097E

The Regal logo is located in the bottom right corner. It features the word "REGAL" in a white, sans-serif font, set within a dark grey, trapezoidal shape. The background of the page features a vertical blue gradient with a halftone dot pattern on the right side.



Nameplate Specifications

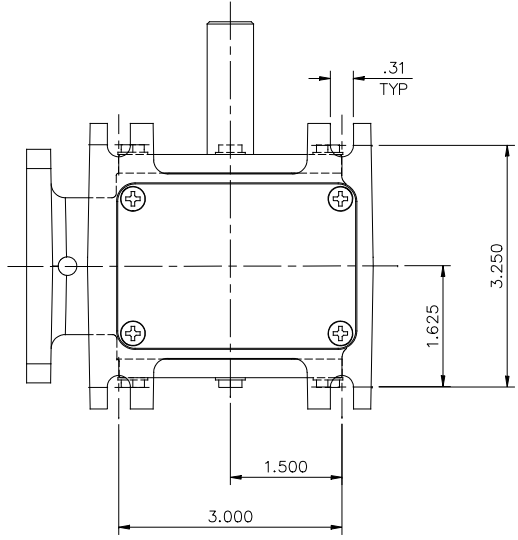
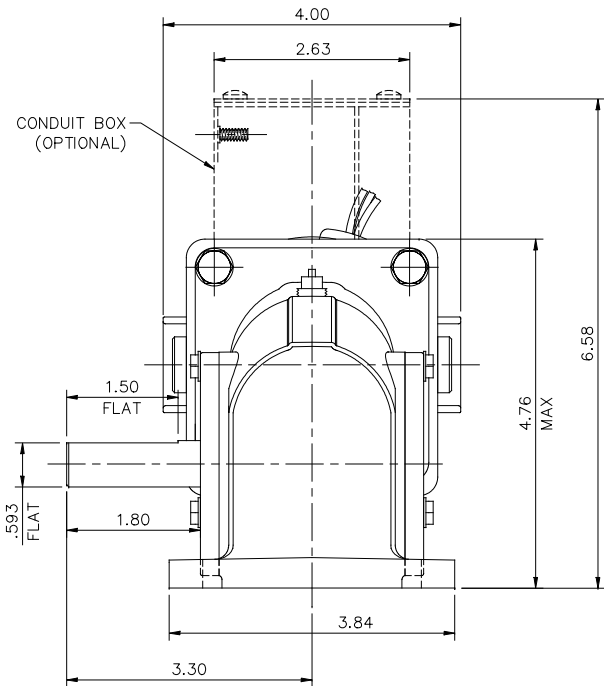
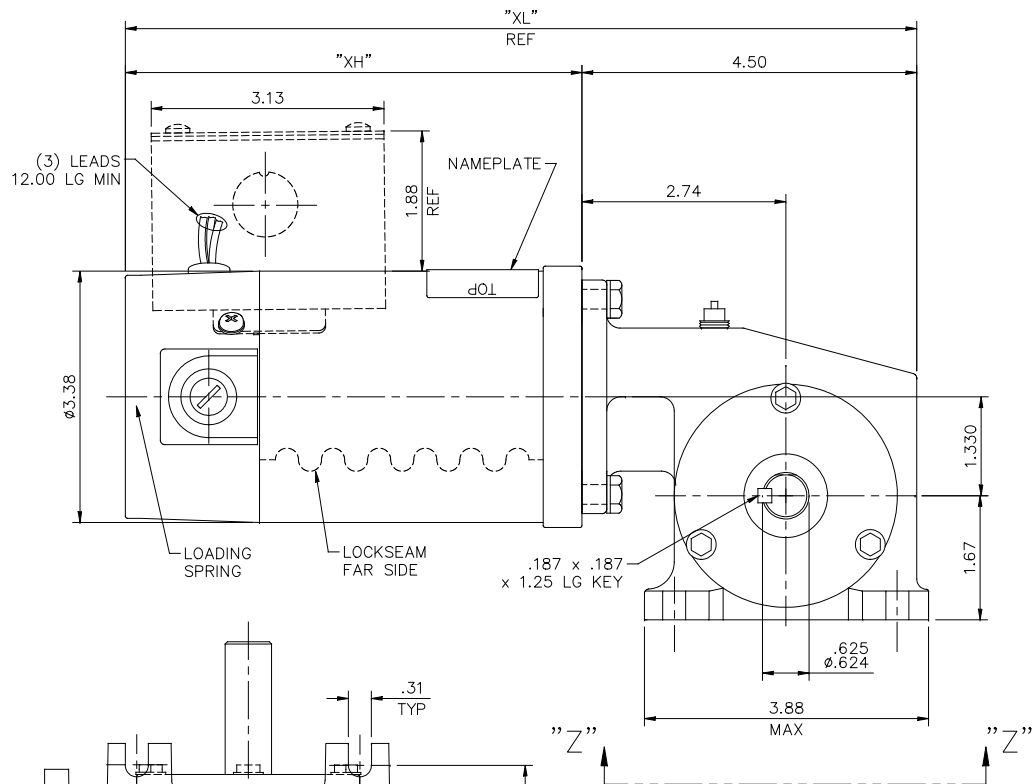
Output HP	0.25 Hp	Output KW	0.19 kW
Voltage	90 V	Current	2.3 A
Speed	62 rpm	Service Factor	1
Efficiency	30.2 %	Duty	Continuous
Insulation Class	H	Frame	34
Enclosure	Totally Enclosed Non Ventilated	Thermal Protection	No
Ambient Temperature	40 °C	Drive End Bearing Size	6201
Opp Drive End Bearing Size	6201	UL	Recognized
CSA	Y	CE	Y

Technical Specifications

Rotation	Reversible	Mounting	Special
Shaft Type	Right Angle	Overall Length	12.64 in
Frame Length	5.81 in	Shaft Diameter	0.625 in
Shaft Extension	1.8 in		
Outline Drawing	M1030350-M1135042	Connection Drawing	M100512401

This is an uncontrolled document once printed or downloaded and is subject to change without notice. Date Created:30/12/2020

M1030350

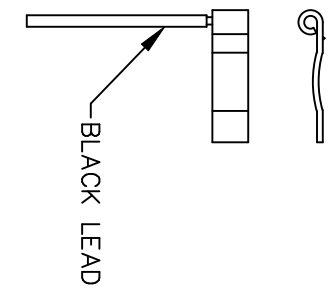
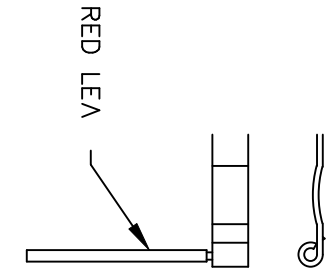
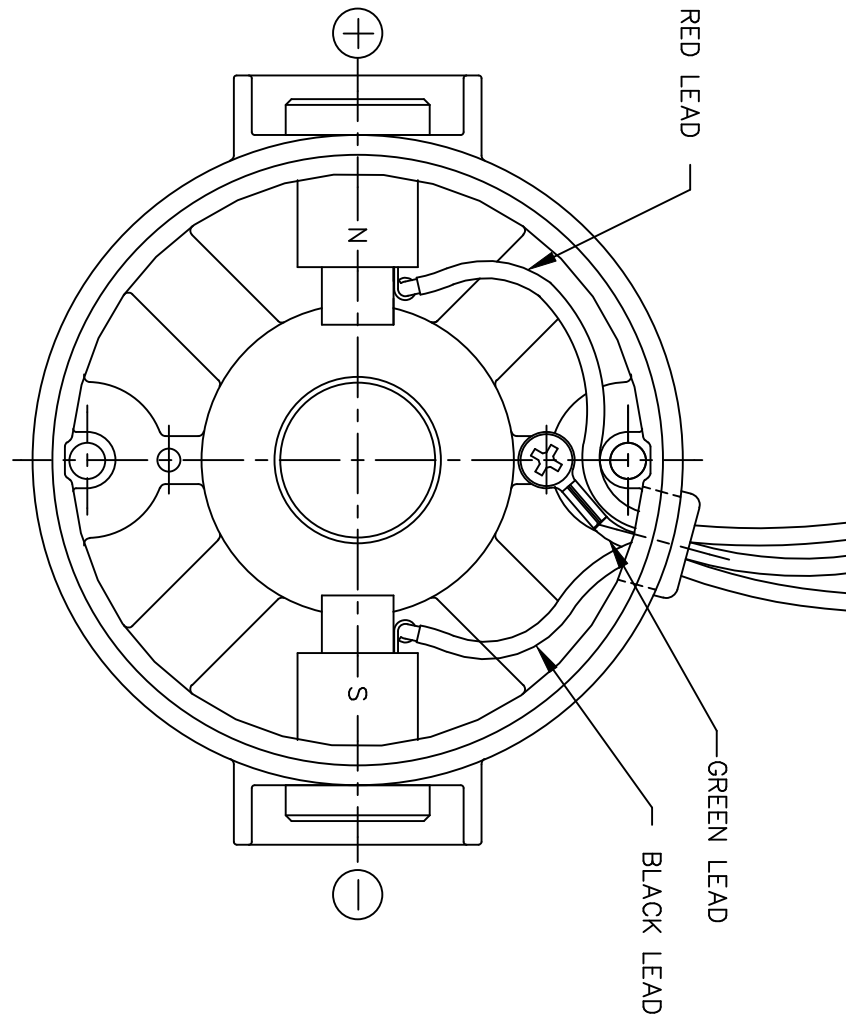


VIEW Z-Z


CATALOG NUMBER	SPEED RANGE RPM	FULL LOAD TORQUE LB.-IN.	INPUT HP	OVERHUNG LOAD LBS.	GEARMOTOR TYPE & FRAME	RATIO TO 1	"XH"	"XL"
M1135046.00	500-8	30	1/4	235	13F05-34G	5	8.14	12.64
M1135045.00	250-4	50	1/4	235	13F10-34G	10	8.14	12.64
M1135044.00	125-2.1	90	1/4	235	13F20-34G	20	8.14	12.64
M1135043.00	83-1.4	125	1/4	235	13F30-34G	30	8.14	12.64
M1135042.00	62-1	135	1/4	235	13F40-34G	40	8.14	12.64

		TOLERANCES UNLESS SPECIFIED			ELECTRIC MOTORS GEARMOTORS AND DRIVES	DRAWN	DWF	11/30/93	
		DEC.	INCHES			CHK			
		.X	±.1	TITLE		SCALE	5=8		
		.XX	±.03	OUTLINE 34 FRAME DC		REF	M1135049.99		
		.XXX	±.005	13 SERIES 90V GEARMOTOR		FMF	M1135046.00		
Y	REMOVED 1/8 HP RATINGS FROM TABLE, ECO-0173505	IPG	9/13/19	.XXXX	±.0005	MAT'L.			
NO.	REVISION	BY & DATE	CHK	ANG	±1/2"	FINISH	LEESON		
THIS DRAWING IN DESIGN AND DETAIL IS OUR PROPERTY AND MUST NOT BE USED EXCEPT IN CONNECTION WITH OUR WORK ALL RIGHTS OF DESIGN AND INVENTION ARE RESERVED THIS IS AN ELECTRONICALLY GENERATED DOCUMENT - DO NOT SCALE THIS PRINT				RFP		CAD FILE	M1030350	SIZE	DRAWING NO.
				DIST			B	M1030350	REV.
									Y

D.C. MOTORS



EXTERNAL CONNECTIONS FOR CW ROTATION
 VIEWING LEAD END OF MOTOR WITH RED LEAD
 POSITIVE AND BLACK LEAD NEGATIVE (-)
 FOR CCW ROTATION REVERSE POLARITY

07	CORRECTED "N" & "S", ECR 80000 (PER BC)	VS	8/14/02	BC	TOLERANCES UNLESS SPECIFIED			ELECTRIC MOTORS GEARMOTORS AND DRIVES	DRAWN	SPV 12/10/91	
06	REMOVED GROUND HOLE	TMZ	3/16/95	DEC.	INCHES				CHK	DWF 5/20/92	
05	REVERSE ROTATION WAS CW	SPV	6/3/94	.X	±.1		TITLE		CONNECTION DIAGRAM	APPD	
04	CHANGED ROTATION FROM CCW TO CW	MJS	3/9/93	.XX	±.01		SCALE		1=1		
03	REVISED ROTATION NOTE	DWF	1/6/93	.XXX	±.005		REF				
02	ADDED GREEN LEAD	DWF	8/1/92	.XXXX	±.0005		MAT'L.		FMF M9131D2N22		
NO.	REVISION	BY & DATE	CHK	ANG	±1/2"		FINISH		PREV		
THIS DRAWING IN DESIGN AND DETAIL IS OUR PROPERTY AND MUST NOT BE USED EXCEPT IN CONNECTION WITH OUR WORK ALL RIGHTS OF DESIGN AND INVENTION ARE RESERVED THIS IS AN ELECTRONICALLY GENERATED DOCUMENT - DO NOT SCALE THIS PRINT				RFP	CAD FILE			M100512401	SIZE	DRAWING NO.	REV.
				DIST				A	M1005124.01	07	

LEESON ELECTRIC CORPORATION

TYPICAL PERFORMANCE CURVE FOR DIRECT CURRENT PERMANENT MAGNET MOTOR

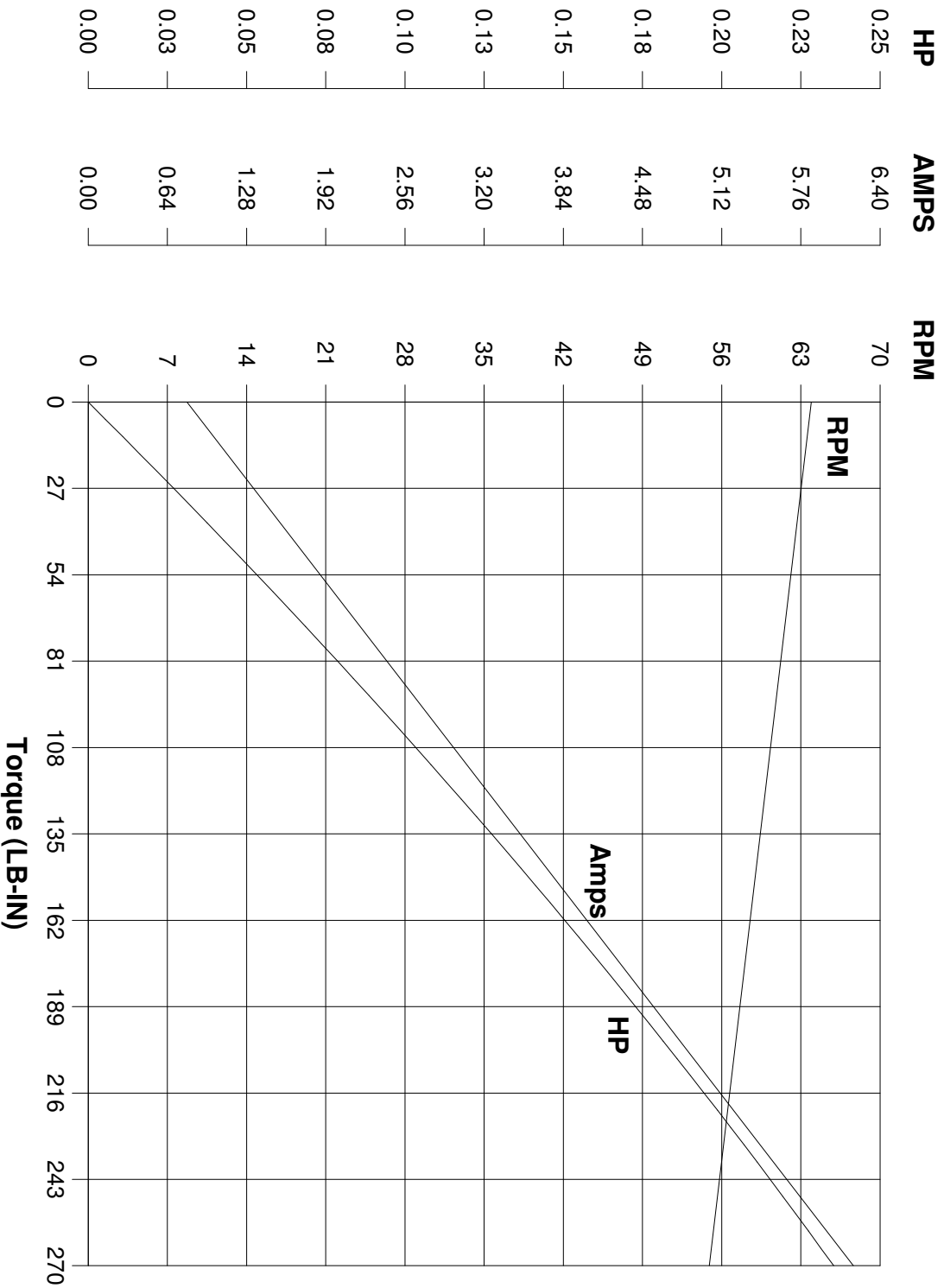
Model No. C34D25NZ10

Catalog No. M1135042.00

HP 0.250 RPM 62 DC Volts 90.0 N.P. FLA 2.30

F.F. 1.38 Encl TENV Type DN S.F. 1.00

Max. Amb. 40.0 Deg C Insul. H Frame 34 Duty Cont



Ra 2.0100 Ohms
 La 9.984 mHenrys
 Ja 0.6440 LB-IN^{1/2}
 Ke 34.50 V/KRPM

Kt 2.916 LB-IN/AMP
 I_{max} 38.4 AMPS Allowed
 FL Torque 135.0 LB-IN
 FL EFF 30.20 %

Winding W- MD342145-1 Prepared by V. Boehlen Date 11-30-2005