

# PRODUCT INFORMATION PACKET



Model No: 110423.00  
Catalog No: 110423.00  
0.33 HP Special Voltage Motor, 1 phase, 1500 RPM, 110/220 V, 56 Frame, TEFC  
50 Hz Motors



Regal and Leeson are trademarks of Regal Beloit Corporation or one of its affiliated companies.  
©2020 Regal Beloit Corporation, All Rights Reserved. MC017097E





### Nameplate Specifications

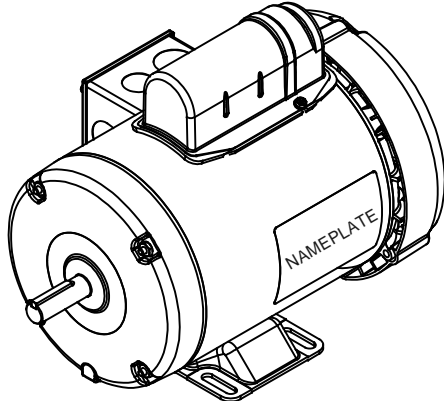
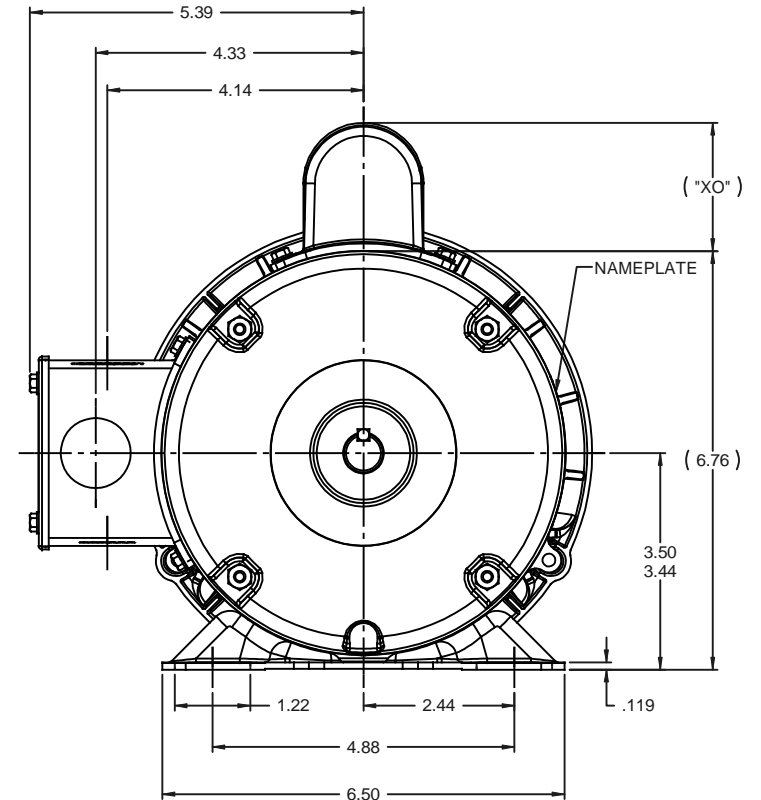
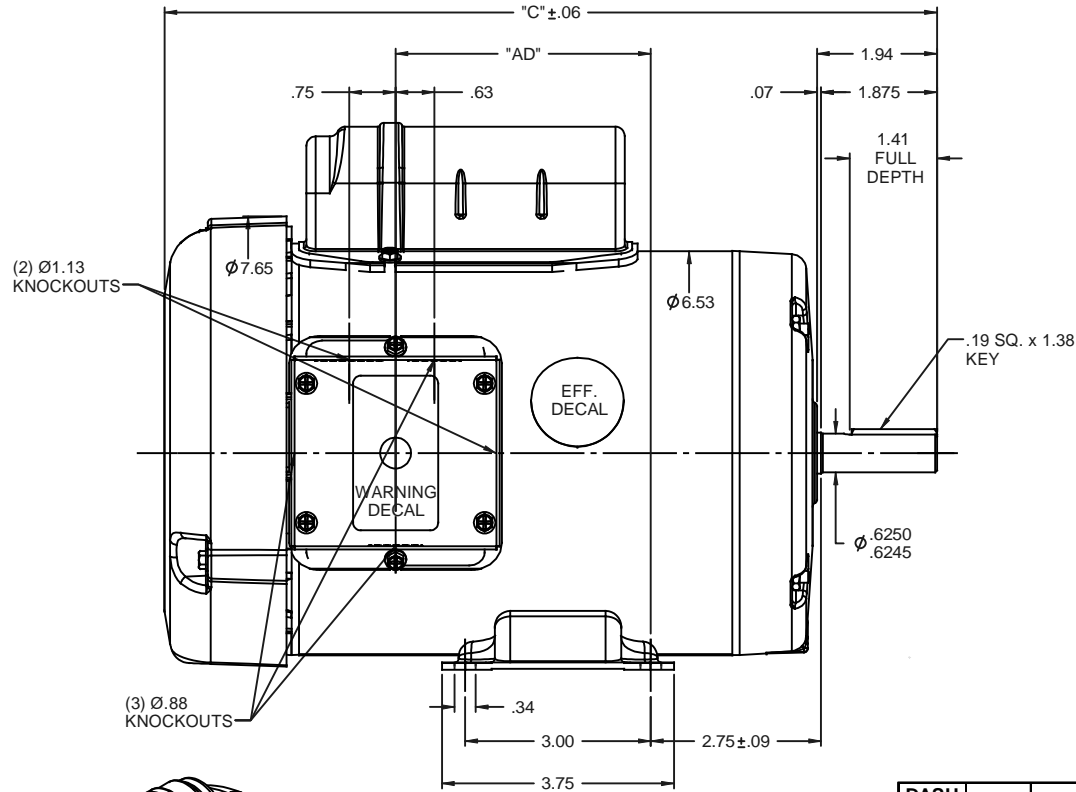
Output HP	0.33 Hp	Output KW	0.25 kW
Frequency	50 Hz	Voltage	110/220 V
Current	6.4/3.2 A	Speed	1425 rpm
Service Factor	1	Phase	1
Efficiency	65.3 %	Power Factor	60.5
Duty	Continuous	Insulation Class	B
Design Code	NO DESIGN CODE	KVA Code	L
Frame	56	Enclosure	Totally Enclosed Fan Cooled
Thermal Protection	No	Ambient Temperature	40 °C
Drive End Bearing Size	6203	Opp Drive End Bearing Size	6203
UL	Recognized	CSA	Y
CE	Y	IP Code	54

### Technical Specifications

Electrical Type	Capacitor Start Induction Run	Starting Method	Across The Line
Poles	4	Rotation	Selective Counterclockwise
Resistance Main	0 Ohms	Mounting	Rigid base
Motor Orientation	Horizontal	Drive End Bearing	Ball
Opp Drive End Bearing	Ball	Frame Material	Rolled Steel
Shaft Type	NEMA 56	Overall Length	10.98 in
Frame Length	5.50 in	Shaft Diameter	0.625 in
Shaft Extension	1.88 in	Assembly/Box Mounting	F1 ONLY
Connection Drawing	005390.01	Outline Drawing	028797-550A

This is an uncontrolled document once printed or downloaded and is subject to change without notice. Date Created:14/10/2020

RBC PROPRIETARY AND CONFIDENTIAL INFORMATION  
 This document is the property of REGAL BELOIT CORPORATION ("RBC") including its subsidiaries and divisions and contains proprietary information of RBC. This document is loaned on the express condition that neither it nor the information contained therein shall be disclosed to others without the express written consent of RBC, and that the information shall be used by the recipient only as approved expressly by RBC. This document shall be returned to RBC upon its request. This document may be subject to certain restrictions under U.S. export control laws and regulations.

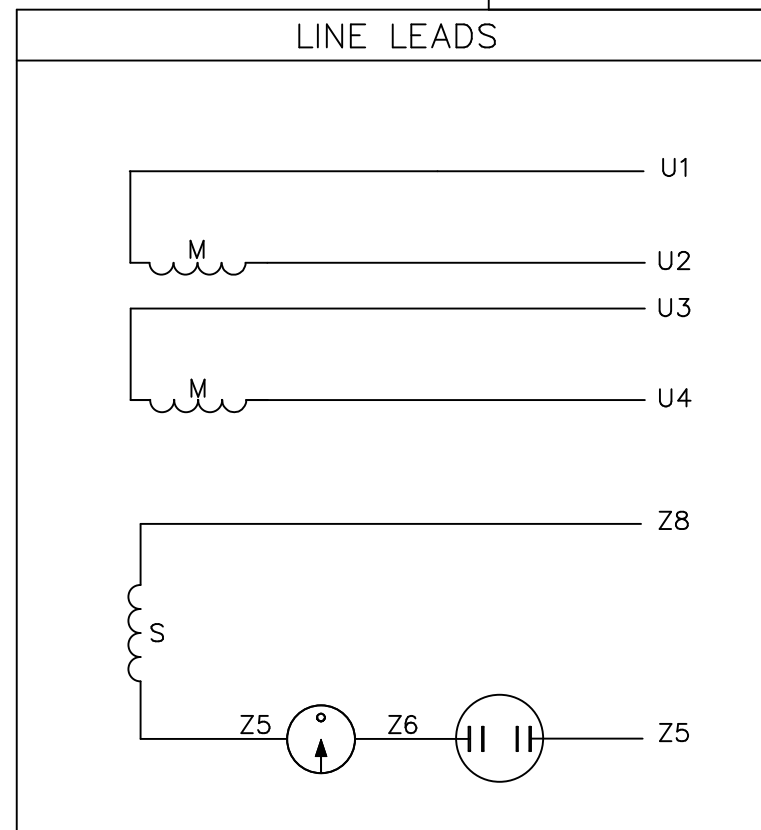
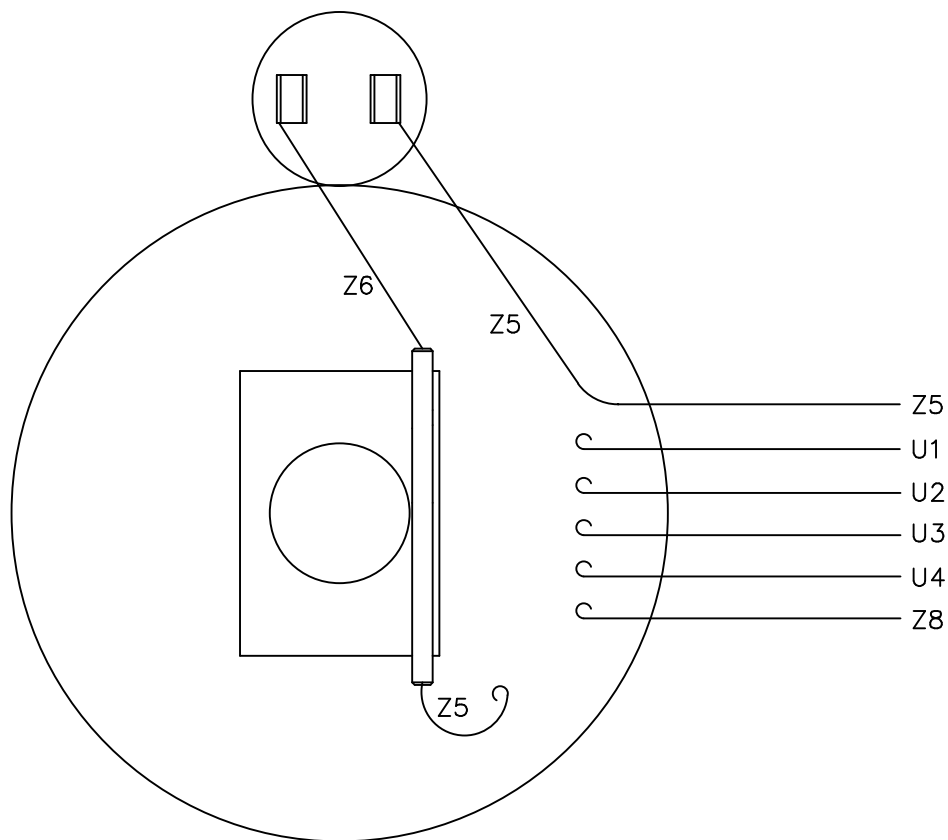


DASH NO.	"C"	"AD"	CAP DASH	"XO"
500	10.48	2.13		
550	10.98	2.63		
600	11.48	3.13	A	1.61
650	11.98	3.63	B	2.08
700	12.48	4.13	C	2.32
750	12.98	4.63		

NOTES:  
 1) GASKETS THROUGHOUT

REVISION		BY & DATE	CHK	ANG	FINISH	PREV	SIZE	DRAWING NO	REV
01	ADDED ISOMETRIC VIEW AS PER ISAAC #08-4017	GRB/ 9/5/2008	DJ	xxx	±.0005	MATL			
TITLE						ELECTRIC MOTORS GEARMOTORS AND DRIVES		DRAWN KMM 09/18/07	
TOLERANCES UNLESS SPECIFIED:						LEESON		CHK	
DEC INCHES								APPR	
X ±.1								SCALE 1:2	
.XX ±.03						OUTLINE - 56 FRAME		REF 028612	
.XXX ±.005						TEFC - RIGID		FMF 110094.00	
FINISH GENERAL PURPOSE								PAGE 1 OF 1	
THIRD ANGLE PROJECTION						NETWORK FILE NAME		REV 01	
						B		028797	

VIEW FROM OUTSIDE OF MOTOR AT SWITCH END.



	ROTATION FACING LEAD END	L1	L2	JOIN
HIGH VOLT	C.C.W.	U1	U4 Z5	U2,U3 Z8
	C.W.	U1	U4 Z8	U2,U3 Z5
LOW VOLT	C.C.W.	U1,U3 Z8	U2,U4 Z5	---
	C.W.	U1,U3 Z5	U2,U4 Z8	---

NO.	REVISION	BY & DATE	CHK	TOLERANCES UNLESS SPECIFIED	
				DEC.	INCHES
				.X	±.1
				.XX	±.01
				.XXX	±.005
				.XXXX	±.0005
				ANG	±1/2°

**ELECTRIC MOTORS  
GEARMOTORS  
AND DRIVES**

**TITLE** EXTERNAL WIRING DIAGRAM  
TYPE "C" W/O PROTECTOR

**MAT'L.** DECAL - 080642

**FINISH** LEESON CANADA

**CAD FILE** 00539001

**SIZE** A

**DRAWING NO.** 005390-01

**REV.**



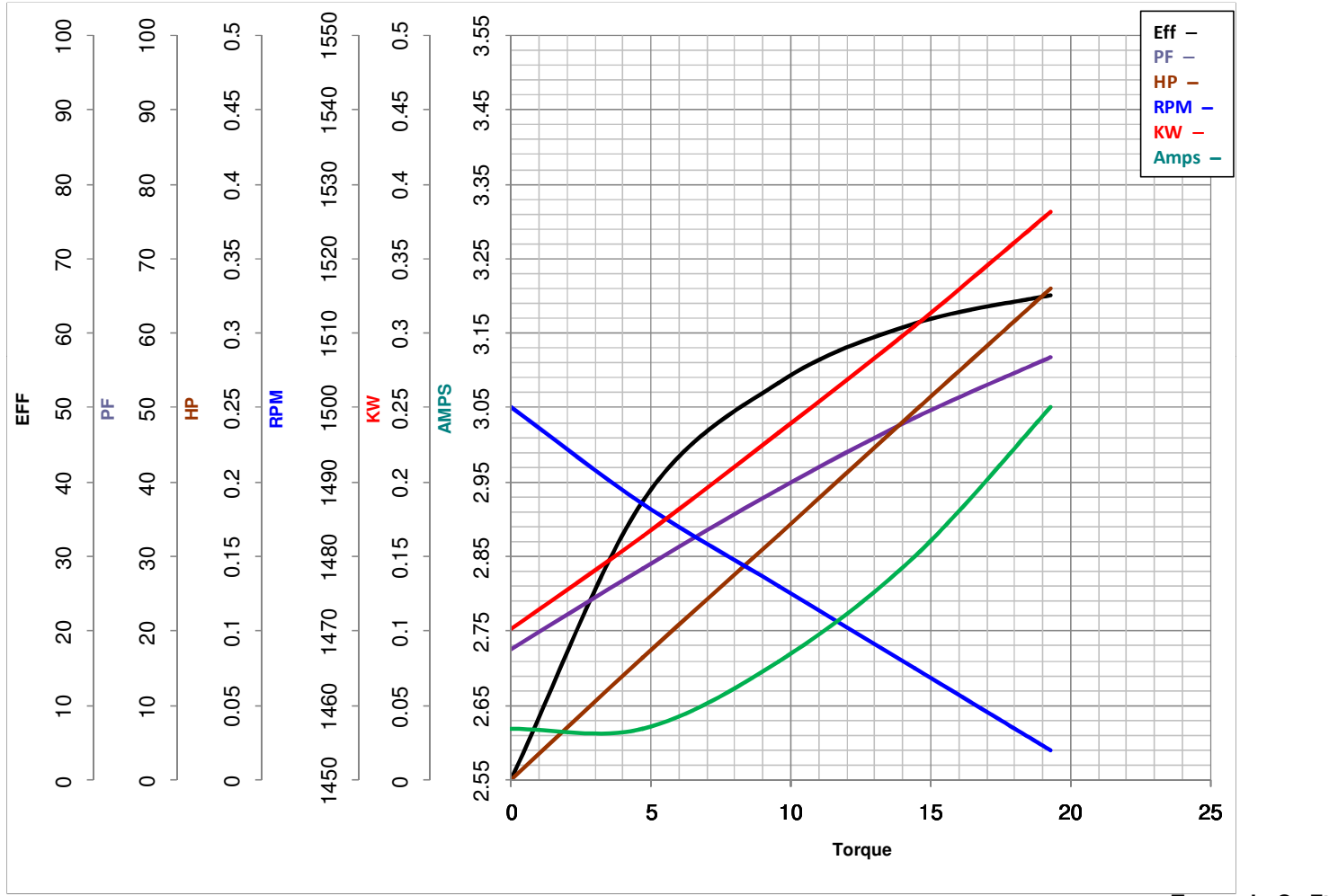
**LEESON ELECTRIC CORPORATION**  
TYPICAL PERFORMANCE CURVE for AC MOTOR

Model No 110423.00

Catalog No 110423.00

Curve at 220 Volts      HP 0.33      PHASE 1  
50 HZ  
0.33 HP      VOLTS 110/220

HZ 50      RPM 1425



FL TORQUE	<u>19.29</u> Oz.Ft	FL AMPS	<u>6.4/3.2</u>
BD TORQUE	<u>57.3</u> Oz.Ft	PU TORQUE	<u>56.7</u> Oz.Ft
LR TORQUE	<u>73.46</u> Oz.Ft	LR AMPS	<u>14.9</u>
WINDING	C634270-4	Date	4/23/2018