

PRODUCT INFORMATION PACKET



Model No: 110065.00
Catalog No: 110065.00
0.75 HP Special Voltage Motor, 1 phase, 1500 RPM, 110/220 V, 56 Frame, TEFC
50 Hz Motors



Regal and Leeson are trademarks of Regal Beloit Corporation or one of its affiliated companies.
©2020 Regal Beloit Corporation, All Rights Reserved. MC017097E





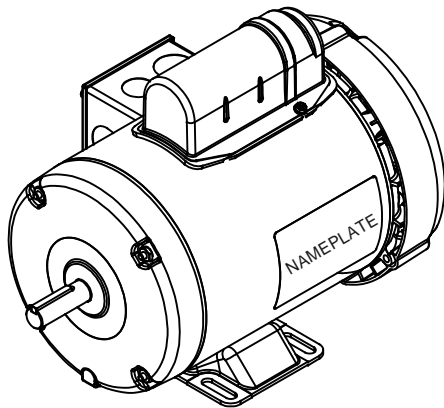
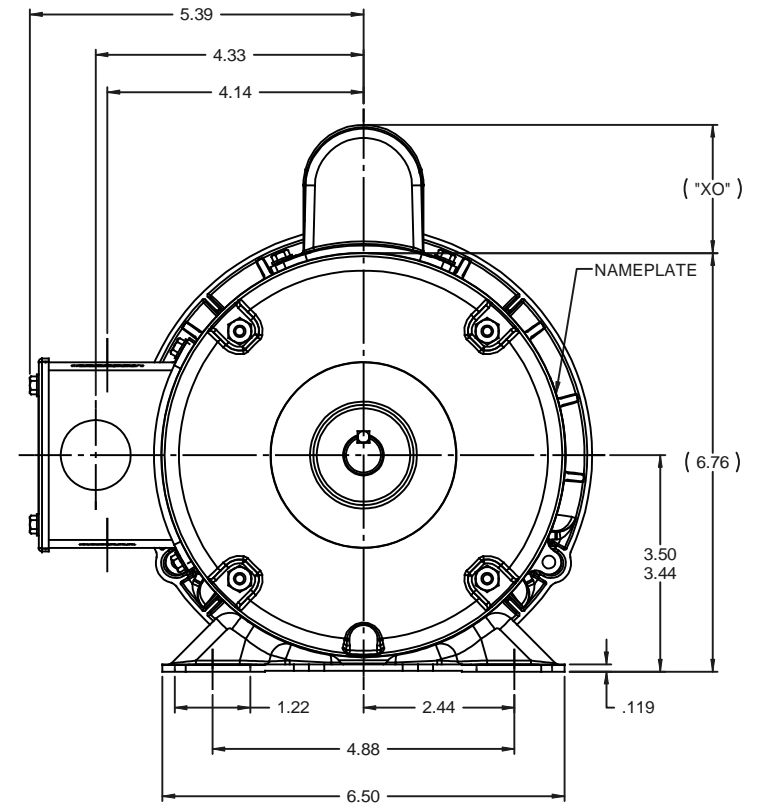
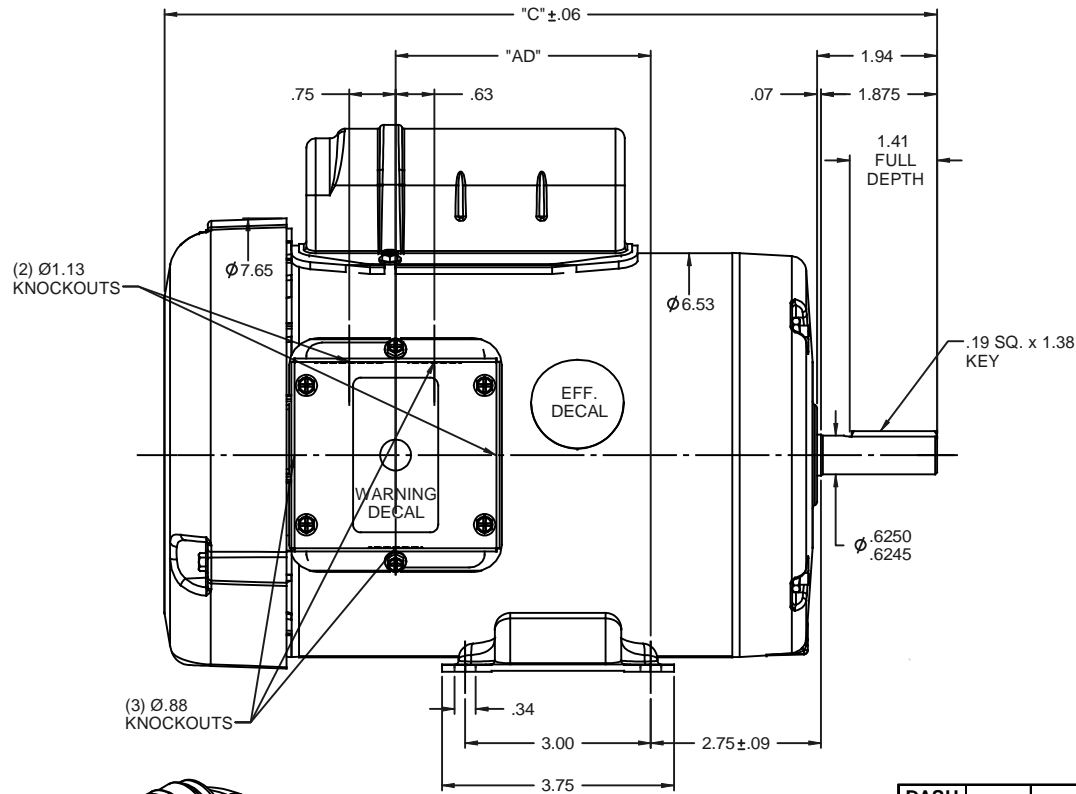
Nameplate Specifications

Output HP	0.75 Hp	Output KW	0.56 kW
Frequency	50 Hz	Voltage	110/220 V
Current	11.8/5.9 A	Speed	1425 rpm
Service Factor	1	Phase	1
Efficiency	68 %	Power Factor	66
Duty	Continuous	Insulation Class	F
Design Code	NO DESIGN CODE	KVA Code	J
Frame	56	Enclosure	Totally Enclosed Fan Cooled
Thermal Protection	No	Ambient Temperature	40 °C
Drive End Bearing Size	6203	Opp Drive End Bearing Size	6203
UL	Recognized	CSA	Y
CE	Y	IP Code	54

Technical Specifications

Electrical Type	Capacitor Start Induction Run	Starting Method	Across The Line
Poles	4	Rotation	Selective Counterclockwise
Resistance Main	0 Ohms	Mounting	Rigid base
Motor Orientation	Horizontal	Drive End Bearing	Ball
Opp Drive End Bearing	Ball	Frame Material	Rolled Steel
Shaft Type	NEMA 56	Overall Length	11.98 in
Frame Length	6.50 in	Shaft Diameter	0.625 in
Shaft Extension	1.88 in	Assembly/Box Mounting	F1 ONLY
Outline Drawing	028797-650B	Connection Drawing	005390.01

This is an uncontrolled document once printed or downloaded and is subject to change without notice. Date Created:14/10/2020

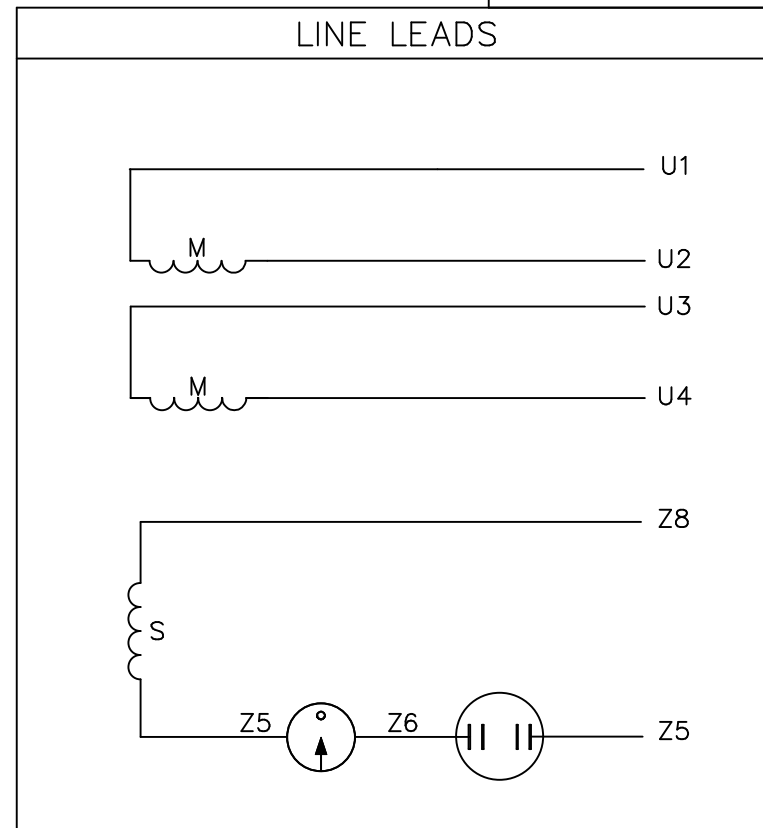
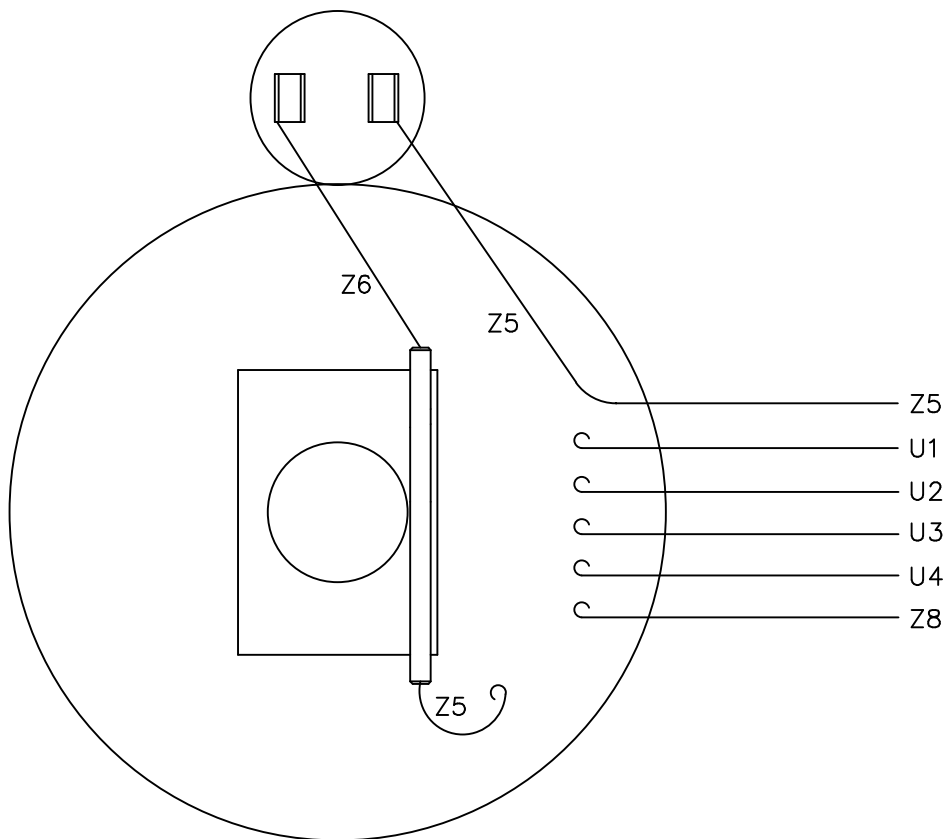


DASH NO.	"C"	"AD"	CAP DASH	"XO"
500	10.48	2.13		
550	10.98	2.63		
600	11.48	3.13	A	1.61
650	11.98	3.63	B	2.08
700	12.48	4.13	C	2.32
750	12.98	4.63		

NOTES:
 1) GASKETS THROUGHOUT

REVISION		BY & DATE	CHK	ANG	FINISH	GENERAL PURPOSE	SCALE	PAGE	OF	REV															
01	ADDED ISOMETRIC VIEW AS PER ISAAC #08-4017	GRB/ 9/5/2008	DJ	xxx	±.0005	MATL	1:2	1	1	01															
<table border="0"> <tr> <td>TOLERANCES UNLESS SPECIFIED:</td> <td>DEC</td> <td>INCHES</td> </tr> <tr> <td>x</td> <td></td> <td>±.1</td> </tr> <tr> <td>.xx</td> <td></td> <td>±.03</td> </tr> <tr> <td>.xxx</td> <td></td> <td>±.005</td> </tr> <tr> <td>.xxx</td> <td></td> <td>±.0005</td> </tr> </table>						TOLERANCES UNLESS SPECIFIED:	DEC	INCHES	x		±.1	.xx		±.03	.xxx		±.005	.xxx		±.0005			ELECTRIC MOTORS GEARMOTORS AND DRIVES		DRAWN: KMM 09/18/07 CHK: APPR: REF: 028612 FMF: 110094.00
TOLERANCES UNLESS SPECIFIED:	DEC	INCHES																							
x		±.1																							
.xx		±.03																							
.xxx		±.005																							
.xxx		±.0005																							
TITLE: OUTLINE - 56 FRAME TEFC - RIGID						SCALE: 1:2 REF: 028612 FMF: 110094.00		PAGE: 1 OF 1		REV:															
REVISION:						BY & DATE:		CHK:		ANG: ±1/2°															
RFP:						PREV:		SIZE: B		DRAWING NO: 028797															
NETWORK FILE NAME:						FINISH: GENERAL PURPOSE		REV: 01		REV:															

VIEW FROM OUTSIDE OF MOTOR AT SWITCH END.



	ROTATION FACING LEAD END	L1	L2	JOIN
HIGH VOLT	C.C.W.	U1	U4 Z5	U2,U3 Z8
	C.W.	U1	U4 Z8	U2,U3 Z5
LOW VOLT	C.C.W.	U1,U3 Z8	U2,U4 Z5	---
	C.W.	U1,U3 Z5	U2,U4 Z8	---

NO.	REVISION	BY & DATE	CHK	TOLERANCES UNLESS SPECIFIED	
				DEC.	INCHES
				.X	±.1
				.XX	±.01
				.XXX	±.005
				.XXXX	±.0005
				ANG	±1/2°



ELECTRIC MOTORS
GEARMOTORS
AND DRIVES

DRAWN	RSK 09/09/96
CHK	
APPD	
SCALE	1=1
REF	005005-01
FMF	114964.00
PREV	

TITLE	EXTERNAL WIRING DIAGRAM TYPE "C" W/O PROTECTOR
MAT'L.	DECAL - 080642
FINISH	LEESON CANADA
CAD FILE	00539001
SIZE	A
DRAWING NO.	005390-01



1051 CHEYENNE AVE.
 GRAFTON, WI 53024
 PH. 262-377-8810

CERTIFICATION DATA SHEET

CATALOG #: 110065.00

CONN. DIAGRAM: 005390.01

OUTLINE: 028797-650B

MOUNTING: F1 ONLY

WINDING #: C634265 FR 6 B

TYPICAL MOTOR PERFORMANCE DATA

HP	KW	SYNC. RPM	F.L. RPM	FRAME	ENCLOSURE	KVA CODE	DESIGN
3/4	0.56	1500	1425	56	TEFC	J	NO DESIGN CODE

PH	Hz	VOLTS	AMPS	START TYPE	DUTY	INSL	S.F.	AMB°C
1	50	110/220	11.8/5.9	ACROSS THE LINE	CONTINUOUS	F4	1.0	40

FULL LOAD EFF:	68	3/4 LOAD EFF:	65	1/2 LOAD EFF:	59.1	GTD. EFF		ELEC. TYPE
FULL LOAD PF:	66	3/4 LOAD PF:	57.8	1/2 LOAD PF:	46.4	64	CAP START	IND RUN

F.L. TORQUE	LOCKED ROTOR AMPS	L.R. TORQUE	B.D. TORQUE	F.L. RISE°C
43.6 OZ-FT	53.4 / 26.7	144.8 OZ-FT	0 %	107.1 OZ-FT
				0 %

SOUND PRESSURE @ 3 FT.	SOUND POWER	ROTOR WK^2	MAX. WK^2	SAFE STALL TIME	STARTS / HOUR	APPROX. MOTOR WGT
0 dbA	10 dbA	0.1 LB-FT^2	0 LB-FT^2	10 SEC.	0	35 LBS.

*** SUPPLEMENTAL INFORMATION ***

DE BRACKET TYPE	ODE BRACKET TYPE	MOUNT TYPE	ORIENTATION	SEVERE DUTY	HAZARDOUS LOCATION	DRIP COVER	SCREENS	PAINT
STANDARD	STANDARD	RIGID	HORIZONTAL	FALSE	NONE	FALSE	NONE	BLUE - LEESON (ENAMEL)

BEARINGS DE ODE	GREASE	SHAFT TYPE	SPECIAL DE	SPECIAL ODE	SHAFT MATERIAL	FRAME MATERIAL
BALL BALL	POLYREX EM	STANDARD 56	NONE	NONE	1144 STRESSPROOF (C-223)	ROLLED STEEL

THERMO-PROTECTORS				THERMISTORS	CONTROL	SPACE HEATERS
THERMOSTATS	PROTECTORS	WDG RTDS	BRG RTDS	NONE	FALSE	NONE
NONE	NOT	NONE	NONE			

* INVERTER TORQUE: NONE

INV. HP SPEED RANGE: NONE

ENCODER:	NONE
NONE	NONE
NONE	PPR

BRAKE:	NONE	NONE
NONE	P/N	NONE
NONE	NONE	NONE
NONE	FT-LB	NONE V
		NONE HZ

S

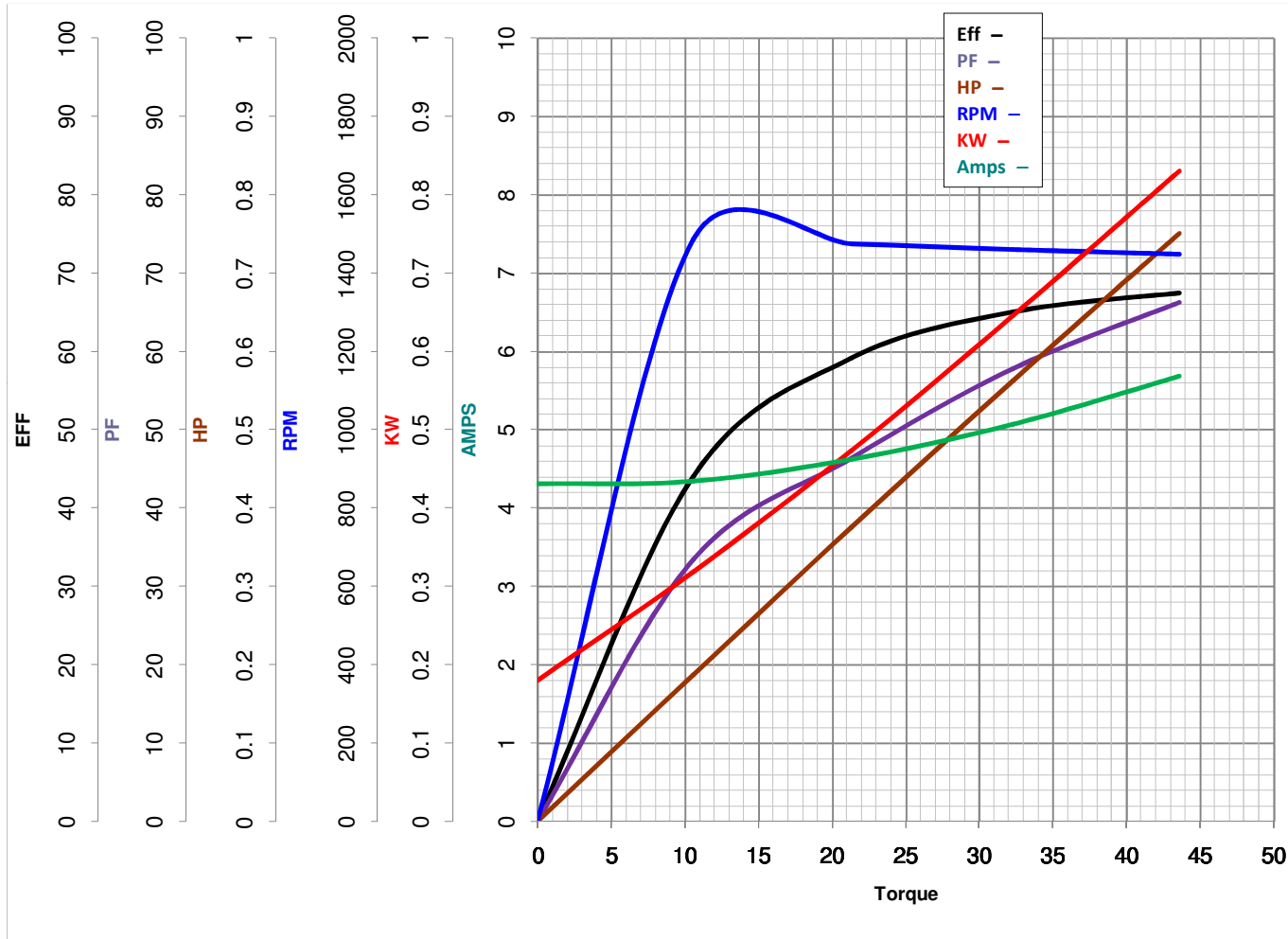


LEESON ELECTRIC CORPORATION
 TYPICAL PERFORMANCE CURVE for AC MOTOR

Model No 110065.00

Catalog No 110065.00

Curve at 220 Volts HP 0.76 PHASE 1
50 HZ
0.75 HP VOLTS 110/220
 HZ 50 RPM 1425



Torque in Oz.Ft

FL TORQUE 43.6 Oz.Ft
 BD TORQUE 107.1 Oz.Ft
 LR TORQUE 144.8 Oz.Ft

FL AMPS 11.8/5.9
 PU TORQUE 105.1 Oz.Ft
 LR AMPS 26.7

WINDING C634265-6

Date 4/11/2018