

# PRODUCT INFORMATION PACKET



Model No: LM24114  
Catalog No: LM24114  
0.33 HP General Purpose Motor, 3 phase, 1800 RPM, 230/460 V, 56C Frame, TEFC  
Three Phase TEFC Motors



Regal and Leeson are trademarks of Regal Beloit Corporation or one of its affiliated companies.  
©2020 Regal Beloit Corporation, All Rights Reserved. MC017097E





**Nameplate Specifications**

Output HP	0.33 Hp	Output KW	0.25 kW
Frequency	60 Hz	Voltage	230/460 V
Current	1.6/0.80 A	Speed	1725 rpm
Service Factor	1.15	Phase	3
Efficiency	65.5 %	Power Factor	56
Duty	Continuous	Insulation Class	B
Design Code	B	KVA Code	N
Frame	S56C	Enclosure	Totally Enclosed Fan Cooled
Thermal Protection	No	Ambient Temperature	40 °C
Drive End Bearing Size	203	Opp Drive End Bearing Size	203
UL	Recognized	CSA	Y
CE	Y	IP Code	43

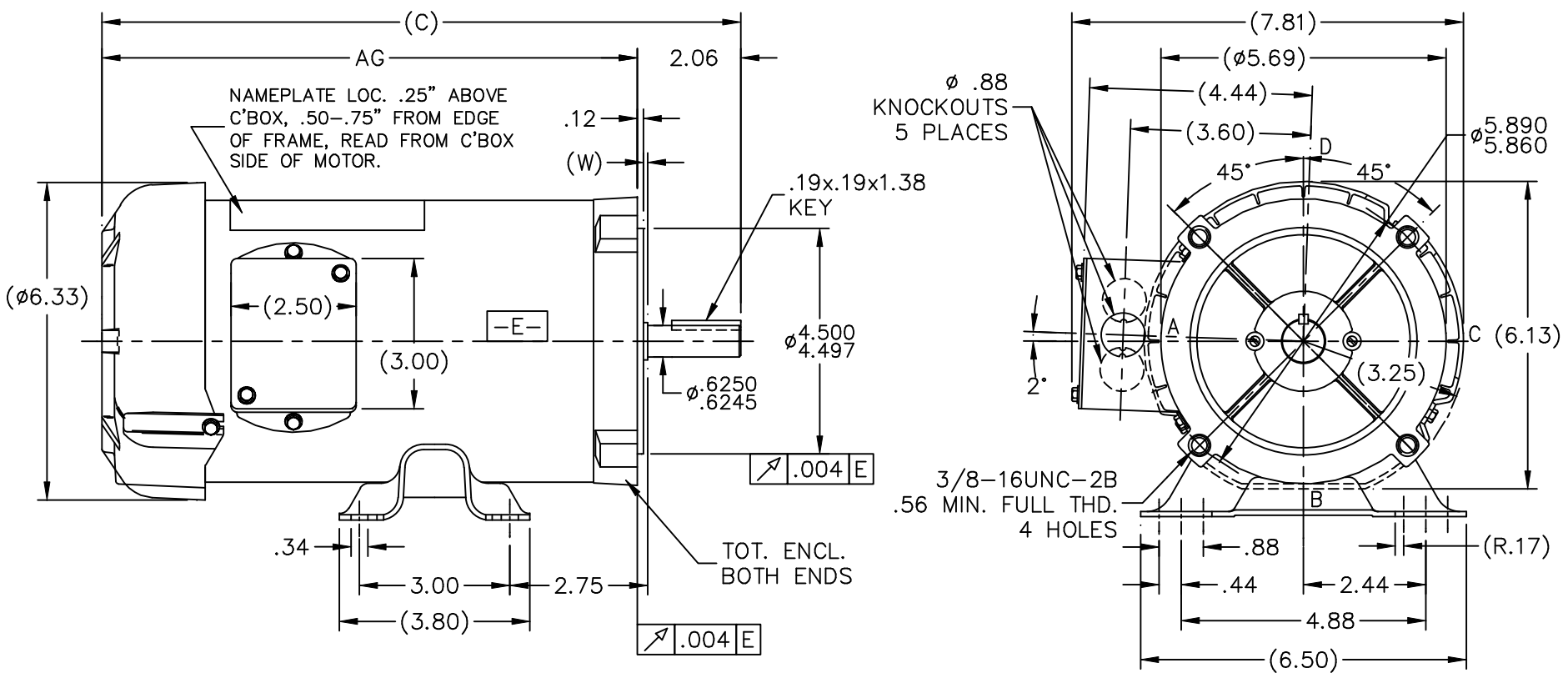
**Technical Specifications**

Electrical Type	Squirrel Cage Induction Run	Starting Method	Across The Line
Poles	4	Rotation	Reversible
Resistance Main	13.128 Ohms	Mounting	Rigid base
Motor Orientation	Horizontal	Drive End Bearing	Ball
Opp Drive End Bearing	Ball	Frame Material	Rolled Steel
Shaft Type	NEMA 56	Overall Length	10.19 in
Frame Length	5.25 in	Shaft Diameter	0.625 in
Shaft Extension	1.88 in	Assembly/Box Mounting	F1 ONLY
Outline Drawing	SS75180LN-525	Connection Drawing	EE7308-LN

This is an uncontrolled document once printed or downloaded and is subject to change without notice. Date Created:14/10/2020

'W' = CLEARANCE ALLOWED FOR ALL VARIANCES  
IN MANUFACTURING & ASSEMBLY

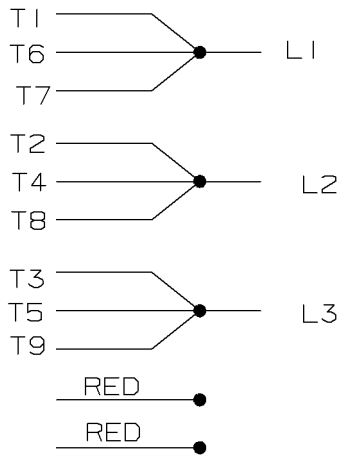
SS75180LN



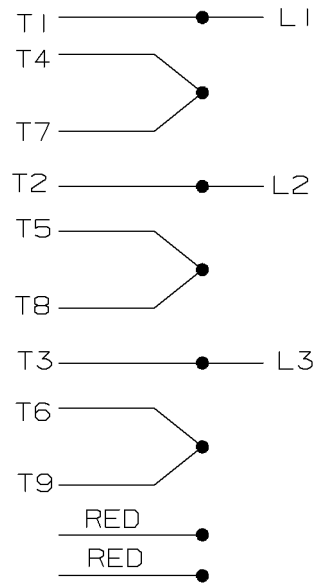
DASH	C	AG	DASH	C	AG
500	9.94	7.88	625	11.19	9.13
525	10.19	8.13	550	10.44	8.38
575	10.69	8.63			

			TOLERANCES UNLESS SPECIFIED		Lincoln MOTORS	DRAWN BLR 06-11-1999					
			DEC.	INCHES		CHK	ML	06-17-1999			
			.X	±.1		APPD	GK	06-17-1999	SCALE	5=16	
			.XX	±.03		TITLE OUTLINE				REF	
1	NEW DRAWING	BLR 06-17-1999	.XXX	±.005	MAT'L.				FMF		
NO.	REVISION	BY & DATE	CHK	ANG	±7'30"	FINISH				PREV	
THIS DRAWING IN DESIGN AND DETAIL IS OUR PROPERTY AND MUST NOT BE USED EXCEPT IN CONNECTION WITH OUR WORK ALL RIGHTS OF DESIGN AND INVENTION ARE RESERVED THIS IS AN ELECTRONICALLY GENERATED DOCUMENT - DO NOT SCALE THIS PRINT			RFP	06-17-1999	CAD FILE	ss75180ln	SIZE	DRAWING NO.	PAGE	OF	REV.
			DIST	WP			A	SS75180LN			1

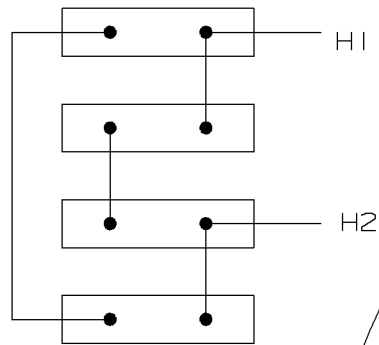
LOW VOLTAGE



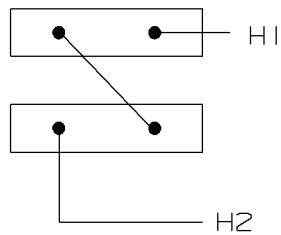
HIGH VOLTAGE



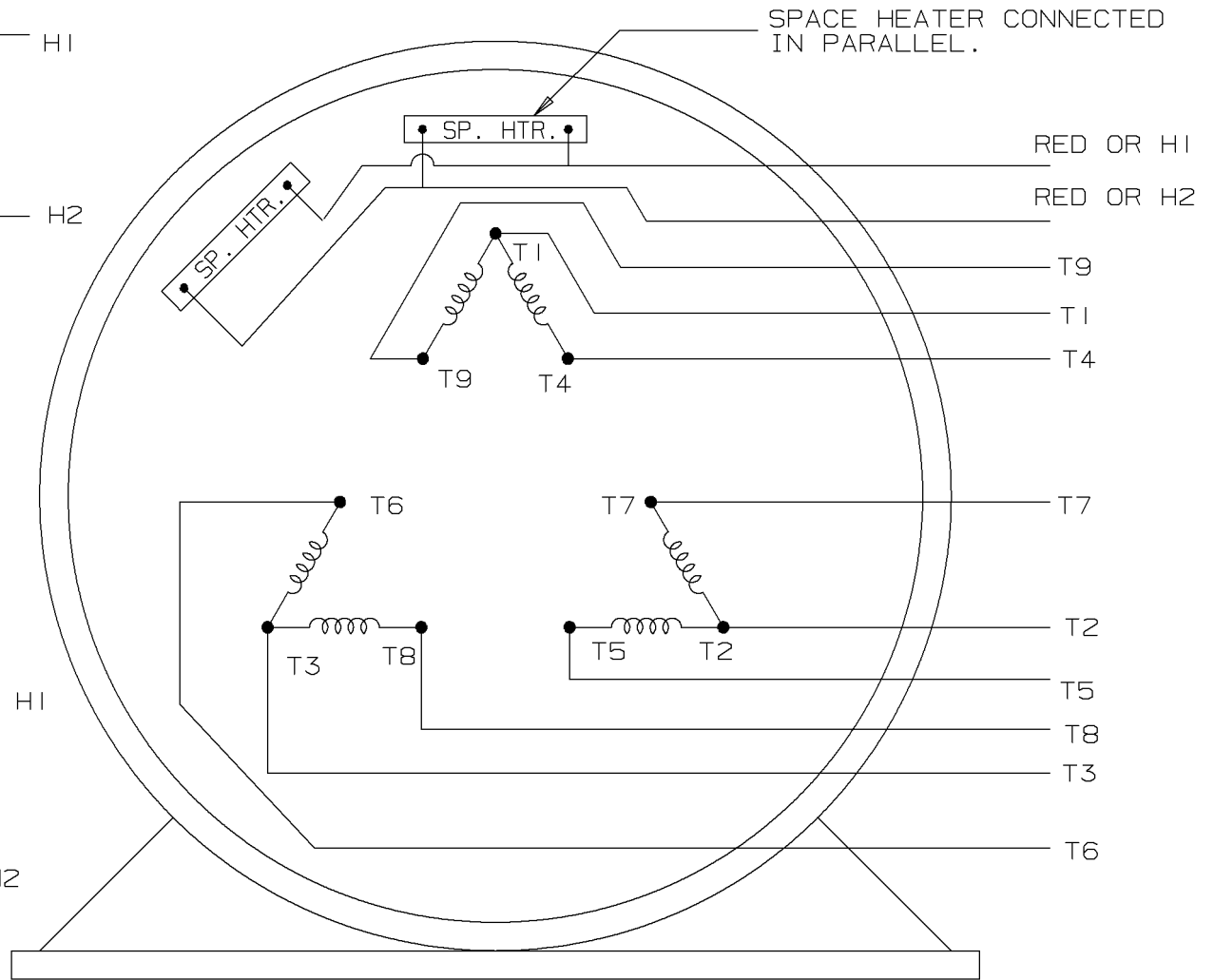
SPACE HEATERS CONNECTED IN SERIES PARALLEL



SPACE HEATERS CONNECTED IN SERIES



SPACE HEATER CONNECTED IN PARALLEL.



VIEW OF TERMINAL END

						✓ UNLESS OTHERWISE SPECIFIED DIMENSIONS ARE IN INCHES TOL. ON XX± .03    XXX± .005    XXXX± .0005    ANGLES± 7'30"			
						MAX. SURFACE ROUGHNESS UNLESS OTHERWISE NOTED		DRAWN BY CAV    04-14-2000	
						FINISH		CHKD BY DRS    04-14-2000	
04-14-2000		NEW DRAWING		CAV		MATERIAL		APPD BY TB    04-14-2000	
REV    DATE		CHANGE		NAME		PART NAME    CONNECTION DIAGRAM DELTA CONN. - 3Ø - 1-2CKT/SPACE HTR.		DRWG NO A- EE7308U-LN	
						PURCHASED		CADD FILE NO.    EE7308U-LN	

ERROR: undefined  
OFFENDING COMMAND: sc

STACK:

1

1

-savelevel-



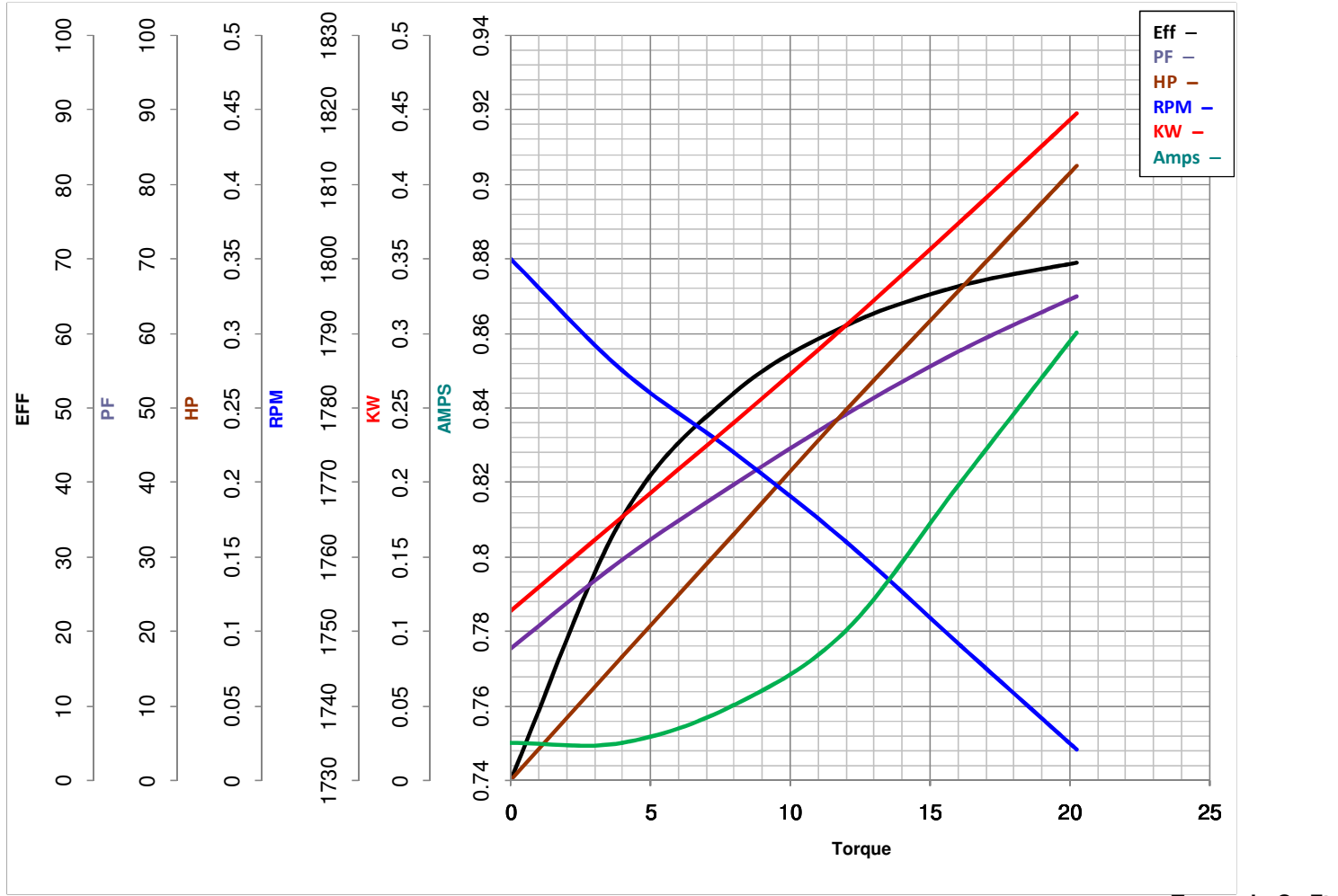
**LEESON ELECTRIC CORPORATION**  
 TYPICAL PERFORMANCE CURVE for AC MOTOR

Model No LM24114

Curve at 460 Volts      HP 0.33      PHASE 3  
60 HZ  
0.33 HP      VOLTS 230/460

Catalog No LM24114A

HZ 60      RPM 1725



FL TORQUE	<u>16.08</u> Oz.Ft	FL AMPS	<u>1.6/8</u>
BD TORQUE	<u>82.3</u> Oz.Ft	PU TORQUE	<u>66.6</u> Oz.Ft
LR TORQUE	<u>67.11</u> Oz.Ft	LR AMPS	<u>4.7</u>
WINDING	TE48414-3	Date	6/4/2018