

# PRODUCT INFORMATION PACKET



Model No: 100956.00  
Catalog No: 100956.00  
0.50 HP General Purpose Motor, 1 phase, 1800 RPM, 115/208-230 V, 48 Frame, TEFC  
Single Phase TEFC Motors



Regal and Leeson are trademarks of Regal Beloit Corporation or one of its affiliated companies.  
©2020 Regal Beloit Corporation, All Rights Reserved. MC017097E





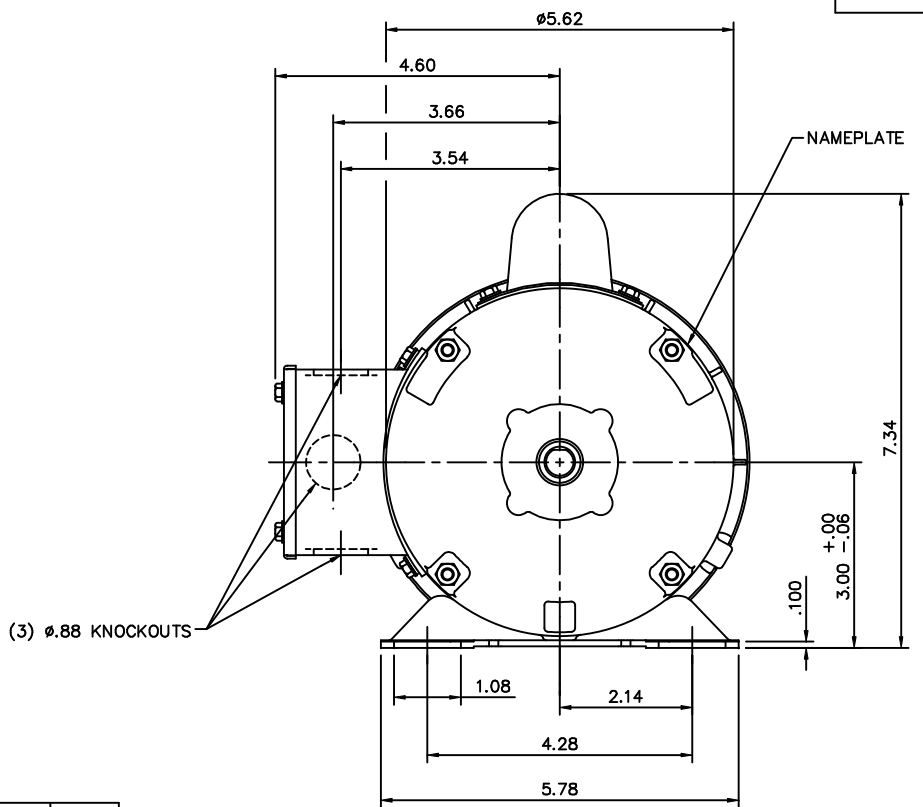
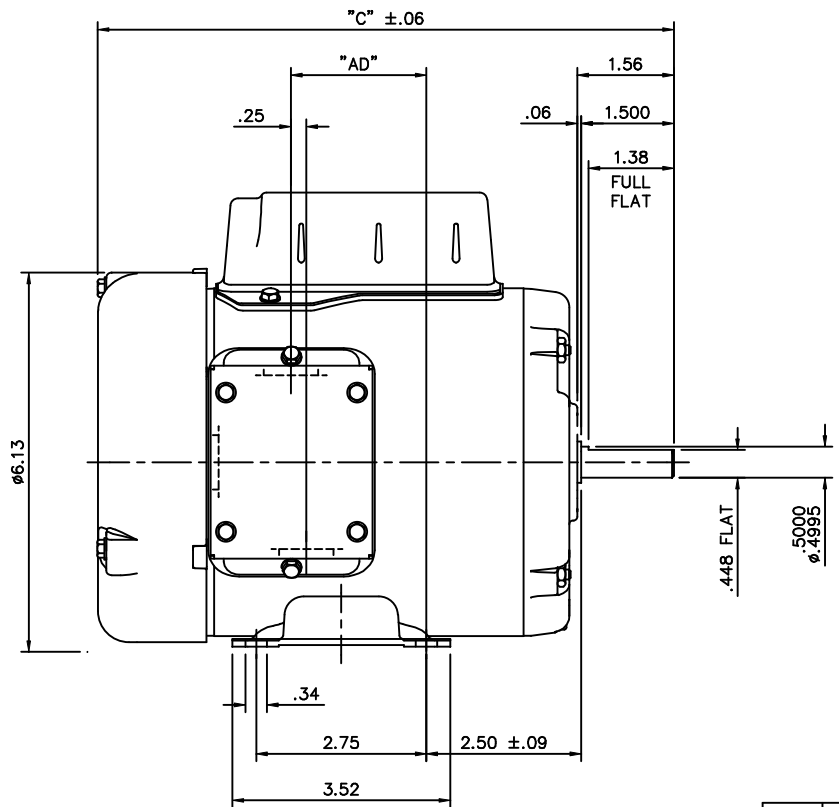
### Nameplate Specifications

Output HP	0.50 Hp	Output KW	0.37 kW
Frequency	60 Hz	Voltage	115/208-230 V
Current	8.0/3.8-4.0 A	Speed	1725 rpm
Service Factor	1.15	Phase	1
Efficiency	66 %	Power Factor	61
Duty	Continuous	Insulation Class	F
Design Code	O	KVA Code	L
Frame	48	Enclosure	Totally Enclosed Fan Cooled
Thermal Protection	No	Ambient Temperature	40 °C
Drive End Bearing Size	6203	Opp Drive End Bearing Size	6203
UL	Recognized	CSA	Y
CE	N	IP Code	43

### Technical Specifications


Electrical Type	Capacitor Start Induction Run	Starting Method	Across The Line
Poles	4	Rotation	Selective Counterclockwise
Resistance Main	4.293 Ohms	Mounting	Rigid base
Motor Orientation	Horizontal	Drive End Bearing	Ball
Opp Drive End Bearing	Ball	Frame Material	Rolled Steel
Shaft Type	NEMA 48	Overall Length	10.31 in
Frame Length	6.00 in	Shaft Diameter	0.500 in
Shaft Extension	1.5 in	Assembly/Box Mounting	F1 ONLY
Connection Drawing	005005.44	Outline Drawing	031633-600

This is an uncontrolled document once printed or downloaded and is subject to change without notice. Date Created:14/10/2020

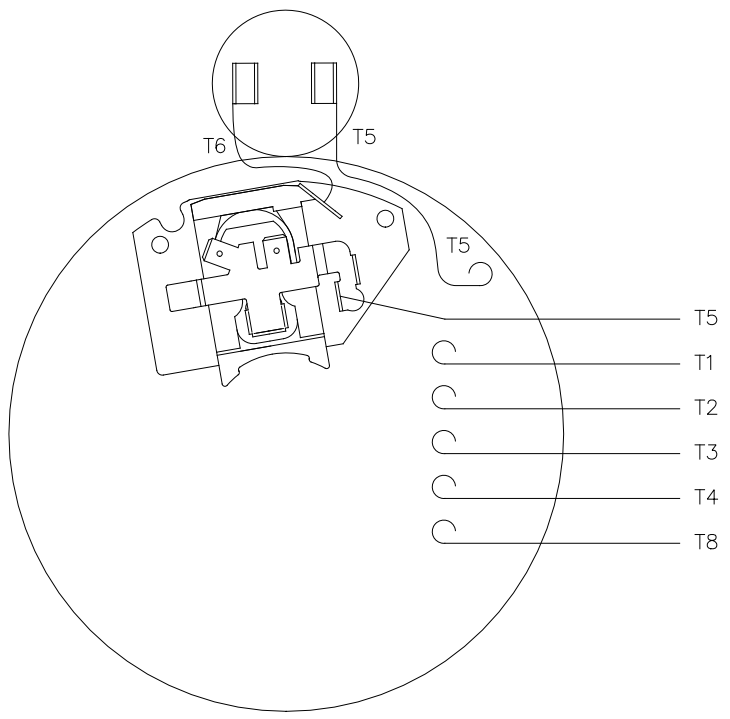


DASH NO.	"C"	"AD"
475	9.06	1.94
500	9.31	2.19
525	9.56	2.44
550	9.81	2.69
575	10.06	2.94
600	10.31	3.19
625	10.56	3.44
650	10.81	3.69
675	11.06	3.94
700	11.31	4.19
725	11.56	4.44

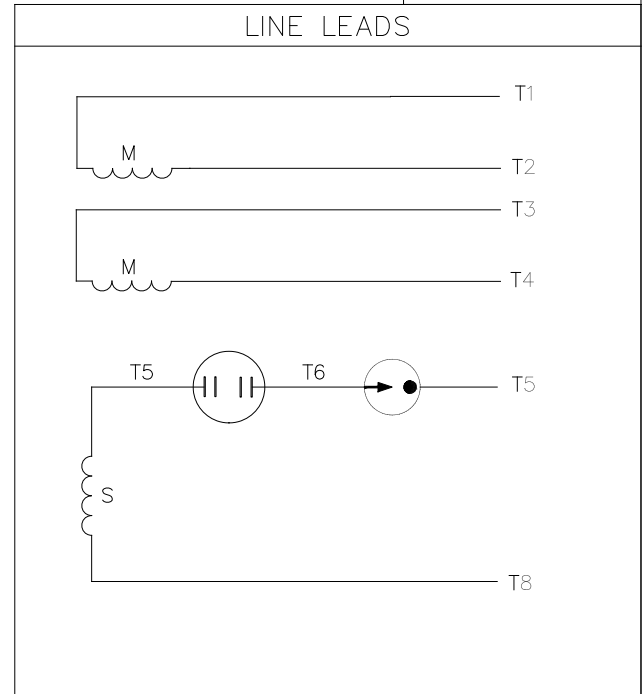
GASKETS THROUGHOUT

		TOLERANCES UNLESS SPECIFIED		 ELECTRIC MOTORS GEARMOTORS AND DRIVES	DRAWN PG 5/30/01	
		DEC.	INCHES		CHK	
		.X	±.1		APPD	
		.XX	±.03	TITLE	SCALE	1=2
02	ADDED DASH NO. 725 (PR040408)	KMM	7/30/04	OUTLINE - 48 FRAME	REF	030391
01	ADDED DASH NO. 700 (PR030708)	PG	12/18/03	RIGID MOUNT - TEFC	FMF	
NO.	REVISION	BY & DATE	CHK	ANG	FINISH	PREV
THIS DRAWING IN DESIGN AND DETAIL IS OUR PROPERTY AND MUST NOT BE USED EXCEPT IN CONNECTION WITH OUR WORK ALL RIGHTS OF DESIGN AND INVENTION ARE RESERVED THIS IS AN ELECTRONICALLY GENERATED DOCUMENT - DO NOT SCALE THIS PRINT				RFP	CAD FILE	031633
				DIST	SIZE	DRAWING NO.
					B	031633
						02


005005-44



VIEW FROM OUTSIDE OF MOTOR AT SWITCH END



	ROTATION FACING LEAD END	L1	L2	JOIN
HIGH VOLT	C.C.W.	T1	T4, T5	T2, T3 T8
	C.W.	T1	T4, T8	T2, T3 T5
LOW VOLT	C.C.W.	T1 T3, T8	T2, T4 T5	
	C.W.	T1 T3, T5	T2, T4 T8	

				TOLERANCES UNLESS OTHERWISE SPECIFIED			 <b>Regal Beloit America, Inc.</b>		
				DEC.	INCHES	METRIC			
				.X	±.1	±2.5	DRAWN PG 5/7/01	TITLE EXTERNAL WIRING DIAGRAM TYPE "C" W/O PROTECTOR	
				.XX	±.01	±.25	APPR.	MAT'L. DUAL VOLTAGE - DUAL ROTATION	
01	MOVED T5 TO "INSIDE" SWITCH TERMINAL	PG 8/2/01		.XXX	±.005	±.127	R.F.P.		
NO.	REVISION	BY & DATE	CH'K'D.	.XXXX	±.0005	±.0127	SCALE 5=8		
THIS DRAWING IN DESIGN AND DETAIL IS OUR PROPERTY AND MUST NOT BE USED EXCEPT IN CONNECTION WITH OUR WORK ALL RIGHTS OF DESIGN AND INVENTION ARE RESERVED THIS IS AN ELECTRONICALLY GENERATED DOCUMENT - DO NOT SCALE THIS PRINT				FRACTIONS	±1/64		REF. 005005-01	FINISH	REV. 01
				ANGLES	±1/2"		FMF 100006		DRAWING NO. 005005-44



CERTIFICATION DATA SHEET

1051 CHEYENNE AVE.  
 GRAFTON, WI 53024  
 PH. 262-377-8810

CONN. DIAGRAM: 005005.44

CATALOG #: 100956.00

OUTLINE: 031633-600

MOUNTING: F1 ONLY

WINDING #: CE484212 FR 3 D

TYPICAL MOTOR PERFORMANCE DATA

HP	KW	SYNC. RPM	F.L. RPM	FRAME	ENCLOSURE	KVA CODE	DESIGN
1/2	0.37	1800	1725	48	TEFC	L	O

PH	Hz	VOLTS	AMPS	START TYPE	DUTY	INSL	S.F.	AMB°C
1	60	115/208-230	8/3.8-4	ACROSS THE LINE	CONTINUOUS	F3	1.15	40

FULL LOAD EFF:	66	3/4 LOAD EFF:	62.3	1/2 LOAD EFF:	54.9	GTD. EFF		ELEC. TYPE
FULL LOAD PF:	61	3/4 LOAD PF:	52.7	1/2 LOAD PF:	42.5	62	CAP START	IND RUN

F.L. TORQUE	LOCKED ROTOR AMPS	L.R. TORQUE	B.D. TORQUE	F.L. RISE°C
24.09 OZ-FT	41.4 / 20.7	84.1 OZ-FT	350 %	64.2 OZ-FT
			268 %	72.2

SOUND PRESSURE @ 3 FT.	SOUND POWER	ROTOR WK^2	MAX. WK^2	SAFE STALL TIME	STARTS / HOUR	APPROX. MOTOR WGT
0 DBA	10 DBA	-1 LB-FT^2	0 LB-FT^2	0 SEC.	0	22 LBS.

\*\*\* SUPPLEMENTAL INFORMATION \*\*\*

DE BRACKET TYPE	ODE BRACKET TYPE	MOUNT TYPE	ORIENTATION	SEVERE DUTY	HAZARDOUS LOCATION	DRIP COVER	SCREENS	PAINT
STANDARD	STANDARD	RIGID	HORIZONTAL	FALSE	NONE	FALSE	NONE	BLUE - LEESON (ENAMEL)

BEARINGS DE ODE	GREASE	SHAFT TYPE	SPECIAL DE	SPECIAL ODE	SHAFT MATERIAL	FRAME MATERIAL
BALL BALL						
6203	MULTEMP SRL	STANDARD 48	NONE	NONE	1144 STRESSPROOF (C-223)	ROLLED STEEL

THERMO-PROTECTORS				THERMISTORS	CONTROL	SPACE HEATERS
THERMOSTATS	PROTECTORS	WDG RTDS	BRG RTDS	NONE	FALSE	NONE
NONE	NOT	NONE	NONE			

\*

INVERTER TORQUE: NONE  
 INV. HP SPEED RANGE: NONE

N  
O  
T

ENCODER: NONE  
 NONE NONE  
 NONE NONE PPR

E  
S

BRAKE: NONE NONE  
 NONE P/N NONE  
 NONE NONE  
 NONE FT-LB NONE V NONE HZ

