

# PRODUCT INFORMATION PACKET



Model No: M1125070.00  
Catalog No: M1125070.00  
0.13 HP DC Gearmotor, 31 RPM, 90 V, 30 Frame, TENV  
P300 DC Gearmotors



Regal and Leeson are trademarks of Regal Beloit Corporation or one of its affiliated companies.  
©2020 Regal Beloit Corporation, All Rights Reserved. MC017097E

The Regal logo is located in the bottom right corner. It features the word "REGAL" in a white, bold, sans-serif font, set within a dark grey, trapezoidal shape. The background of the page features a vertical blue gradient with a halftone dot pattern on the right side.



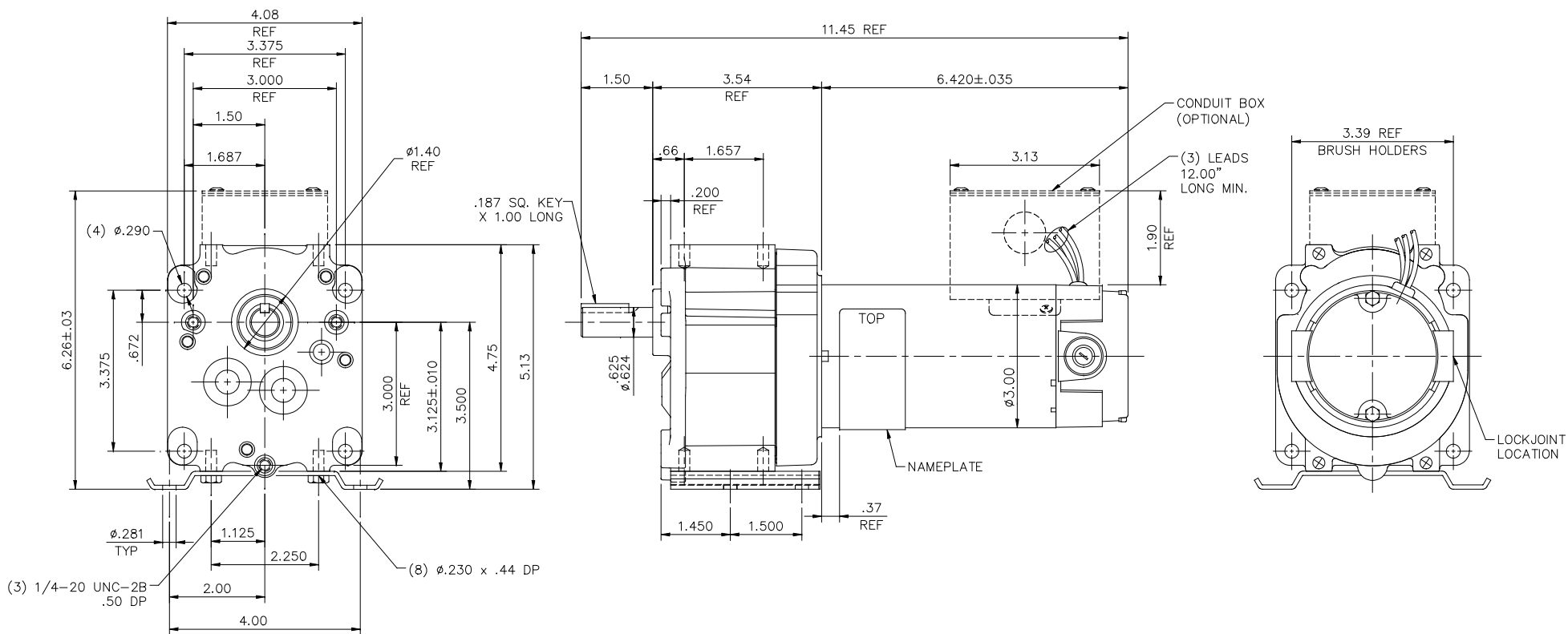
**Nameplate Specifications**

Output HP	0.13 Hp	Output KW	0.10 kW
Voltage	90 V	Current	1.4 A
Speed	31 rpm	Service Factor	1
Efficiency	67.2 %	Duty	Continuous
Insulation Class	F	Frame	30
Enclosure	Totally Enclosed Non Ventilated	Thermal Protection	No
Ambient Temperature	40 °C	Drive End Bearing Size	6000
Opp Drive End Bearing Size	6000	UL	Recognized
CSA	Y	CE	Y

**Technical Specifications**

Rotation	Reversible	Mounting	Special
Shaft Type	Parallel	Overall Length	11.45 in
Frame Length	4.91 in	Shaft Diameter	0.625 in
Shaft Extension	1.5 in		
Connection Drawing	M100530201	Outline Drawing	M1030961-M1125070

This is an uncontrolled document once printed or downloaded and is subject to change without notice. Date Created:30/12/2020

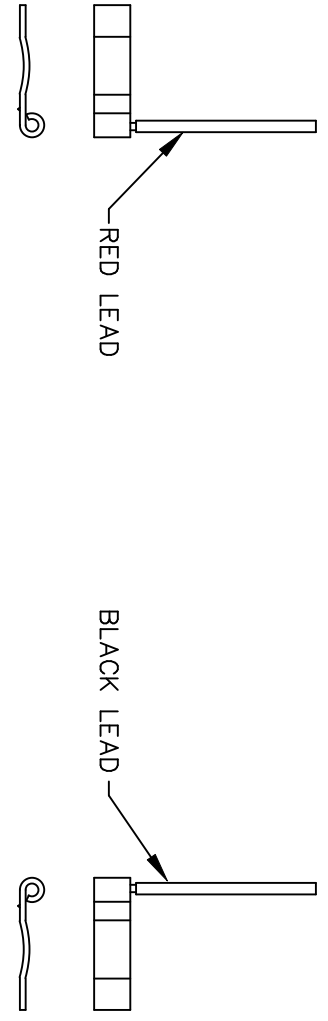
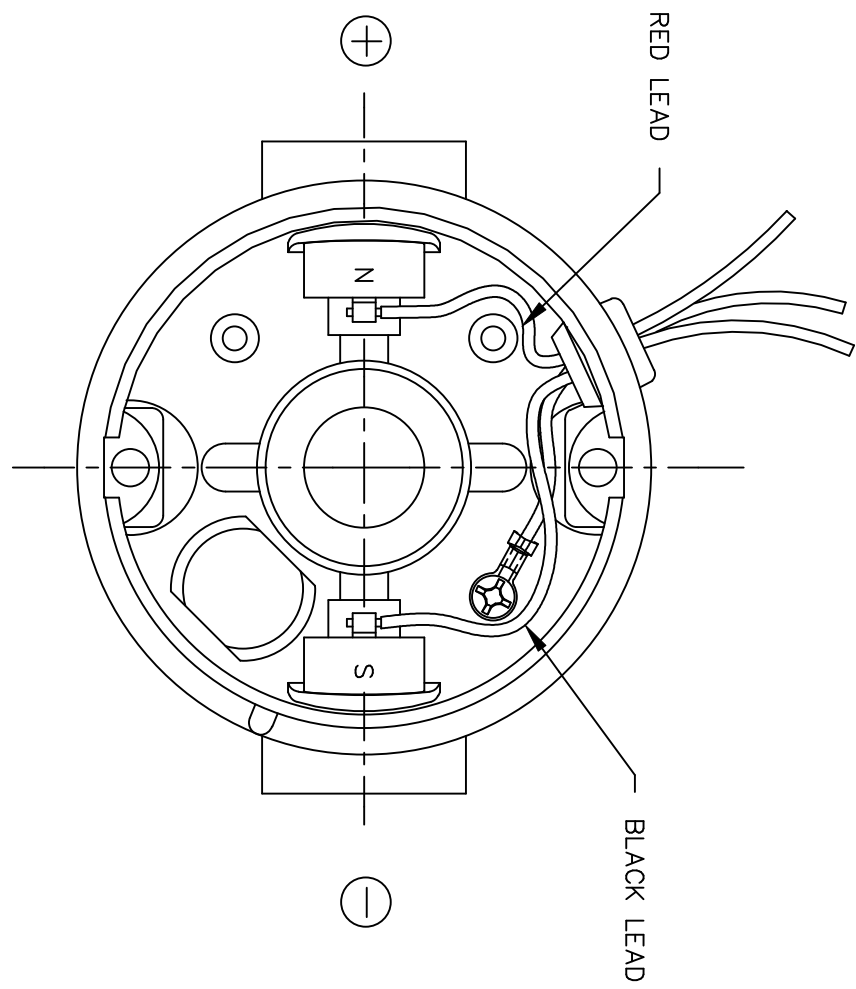


CATALOG No.	VOLTS	HP	RATIO	TORQUE IN-LB	RPM
M1125072.00	90	1/8	29:1	113	61
M1125069.00	90	1/8	76:1	280	24
M1125070.00	90	1/8	58:1	220	31
M1125073.00	90	1/8	19:1	77	94
M1125039.00	180	1/8	35:1	130	51
M1125071.00	90	1/8	35:1	130	51
M1125074.00	90	1/8	11:1	43	167
M1125038.00	180	1/8	58:1	220	31
M1125040.00	180	1/8	19:1	77	94
M1125041.00	180	1/8	10:1	43	170


ITEM No.	ITEM REV
-00	0

				TOLERANCES UNLESS SPECIFIED		LEESON	ELECTRIC MOTORS GEARMOTORS AND DRIVES	DRAWN		
				DEC.	INCHES			CHK	RWS	3/18/05
				.X	±.1			APPD	3/18/05	
				.XX	±.03	TITLE		SCALE	1=2	
D	UPDATED 1.40 HUB DIM TO MATCH GBOX, ECO-0128172	IPG	7/26/17	.XXX	±.005	30 FRAME DC- P300 GEARBOX		REF	M1030940.00	
00	RELEASED COMM CONSOLIDATION PROJECT	RWS	4/20/05	RPB	±.0005	MAT'L		FMF	M1125074.00	
NO.	REVISION	BY & DATE	CHK	ANG	±1/2"	FINISH		PREV		
THIS DRAWING IN DESIGN AND DETAIL IS OUR PROPERTY AND MUST NOT BE USED EXCEPT IN CONNECTION WITH OUR WORK ALL RIGHTS OF DESIGN AND INVENTION ARE RESERVED THIS IS AN ELECTRONICALLY GENERATED DOCUMENT - DO NOT SCALE THIS PRINT				RFP		CAD FILE		M1030961	SIZE	DRAWING NO.
				DIST				B	M1030961	REV.
										D

D.C. MOTORS



EXTERNAL CONNECTIONS FOR CW ROTATION  
 VIEWING LEAD END OF MOTOR WITH RED LEAD  
 POSITIVE (+) AND BLACK LEAD NEGATIVE (-)  
 FOR CCW ROTATION REVERSE POLARITY

				TOLERANCES UNLESS SPECIFIED		 ELECTRIC MOTORS GEARMOTORS AND DRIVES	DRAWN RWS 3/15/05 CHK RPB 3/15/05 APPD SCALE 1=1 REF 901.706 FMF PREV
				DEC.	INCHES		TITLE CONNECTION DIAGRAM MAT'L. FINISH
				.X	±.1		
				.XX	±.01		
				.XXX	±.005		
00	RELEASED COMM CONVERSION PROJECT	RWS 4/13/05	RPB	.XXXX	±.0005	CAD FILE M100530201	SIZE A DRAWING NO. M1005302.01 REV. 00
NO.	REVISION	BY & DATE	CHK	ANG	±1/2"	DIST	

THIS DRAWING IN DESIGN AND DETAIL IS OUR PROPERTY AND MUST NOT BE USED EXCEPT IN CONNECTION WITH OUR WORK ALL RIGHTS OF DESIGN AND INVENTION ARE RESERVED THIS IS AN ELECTRONICALLY GENERATED DOCUMENT - DO NOT SCALE THIS PRINT

# LEESON ELECTRIC CORPORATION

## TYPICAL PERFORMANCE CURVE FOR DIRECT CURRENT PERMANENT MAGNET MOTOR

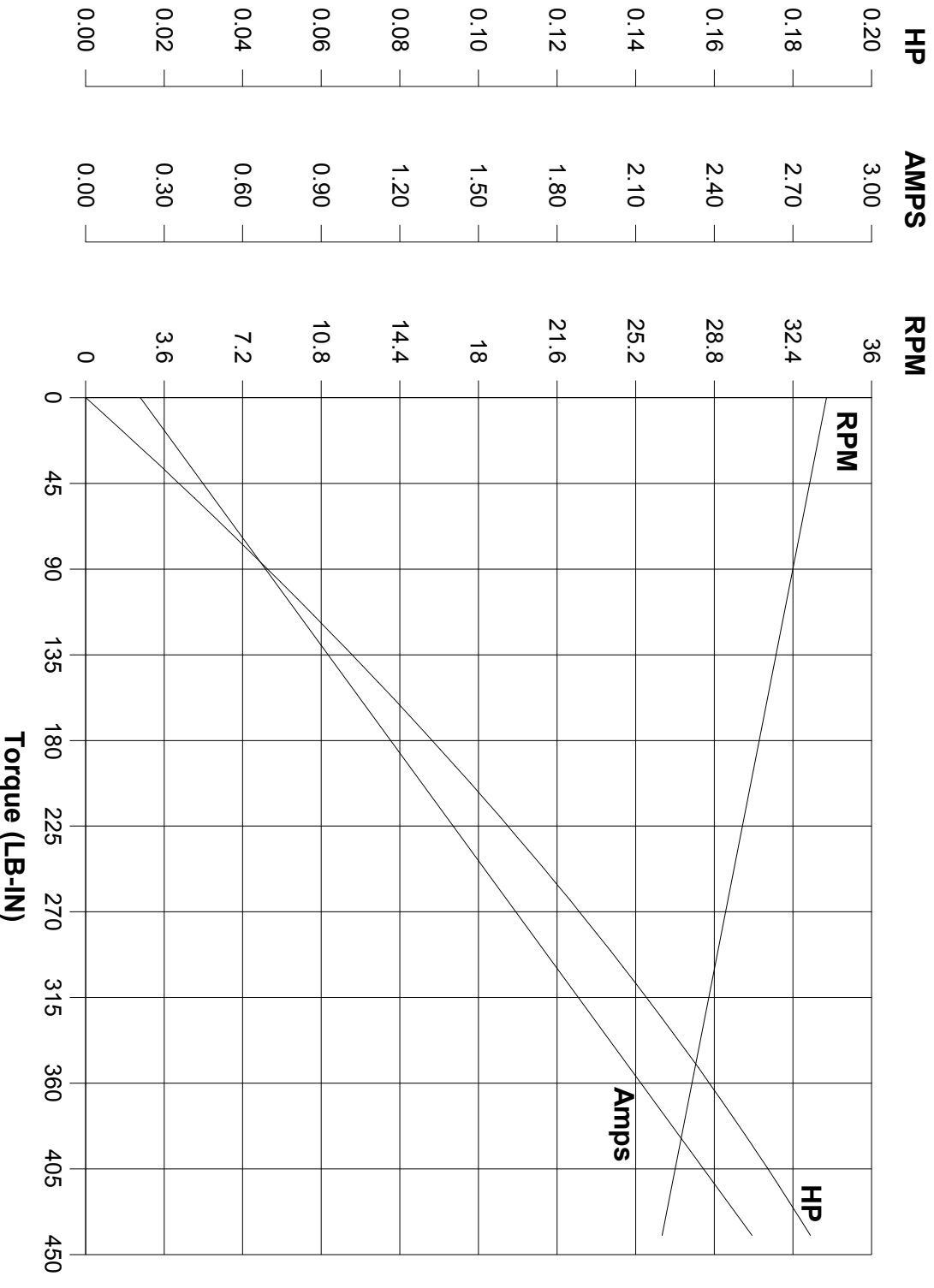
Model No. 985.612

Catalog No. M1125070.00

HP 0.125 RPM 31 DC Volts 90.0 N.P. FLA 1.40

F.F. 1.38 Encl TENV Type DN S.F. 1.00

Max. Amb. 40.0 Deg C Insul. F Frame 30 Duty CONT



Ra 6.7140 Ohms  
 La 37.96 mHenrys  
 Ja 7.277 OZ-IN<sup>2</sup>  
 Ke 44.64 V/KRPM

Kt 3.773 LB-IN/AMP  
 I<sub>max</sub> 13.7 AMPS Allowed  
 FL Torque 220.0 LB-IN  
 FL EFF 67.20 %

Winding W- MD302166-2 Prepared by V. Boehlen Date 05-15-2013