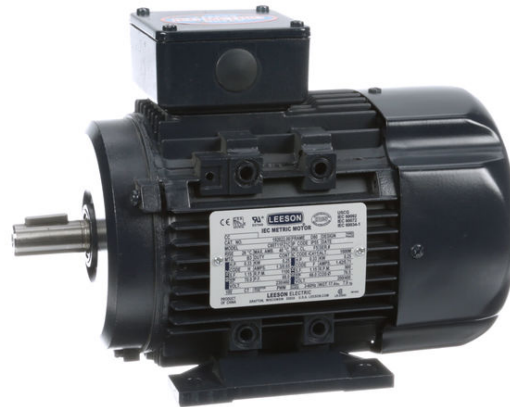


PRODUCT INFORMATION PACKET



Model No: 192022.00
Catalog No: 192022.00
0.33 HP General Purpose, 3 phase, 1200 RPM, 230/460 V, 80 Frame, TEFC
Aluminium TEFC Motors



Regal and Leeson are trademarks of Regal Beloit Corporation or one of its affiliated companies.
©2020 Regal Beloit Corporation, All Rights Reserved. MC017097E





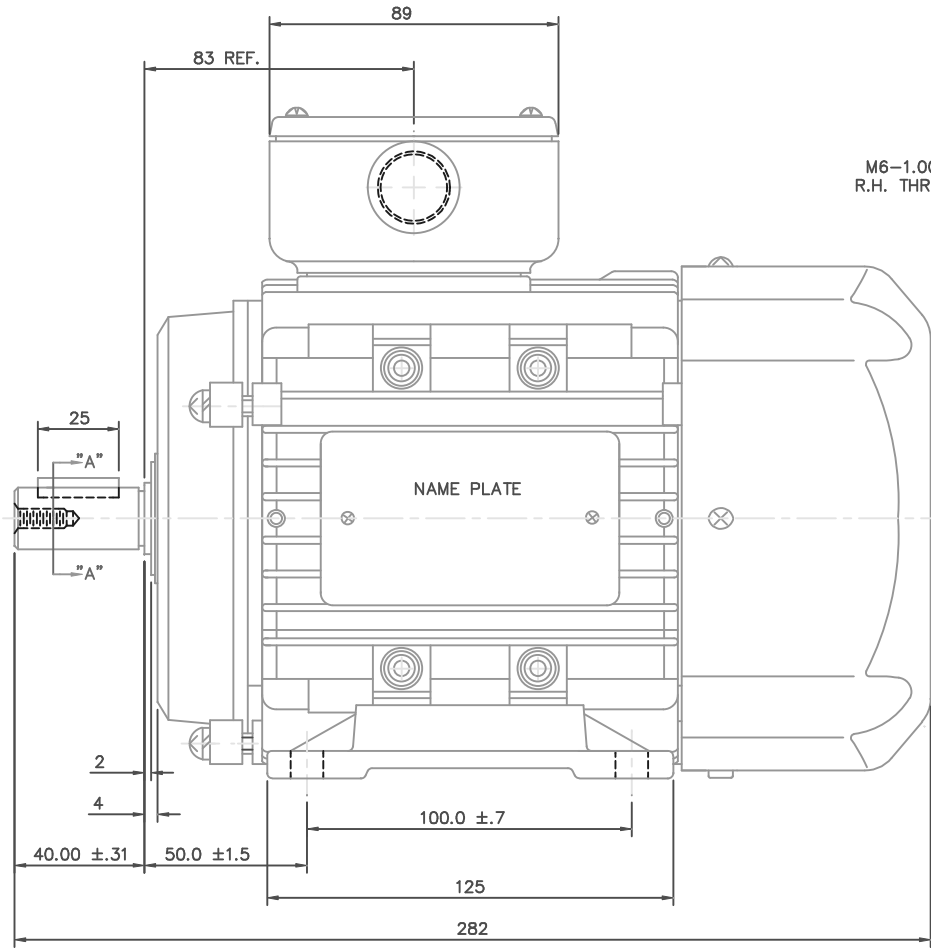
Nameplate Specifications

Output HP	0.33 Hp	Output KW	0.25 kW
Frequency	60 Hz	Voltage	230/460 V
Current	1.3/0.65 A	Speed	1130 rpm
Service Factor	1.15	Phase	3
Efficiency	70 %	Power Factor	68
Duty	Continuous	Insulation Class	F
Design Code	B	KVA Code	H
Frame	80	Enclosure	Totally Enclosed Fan Cooled
Thermal Protection	No	Ambient Temperature	40 °C
Drive End Bearing Size	6204	Opp Drive End Bearing Size	6204
UL	Recognized	CSA	Y
CE	Y	IP Code	55

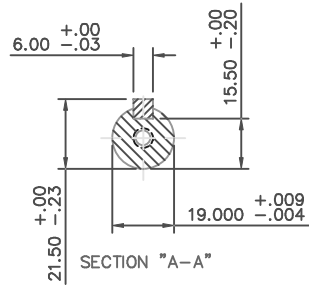
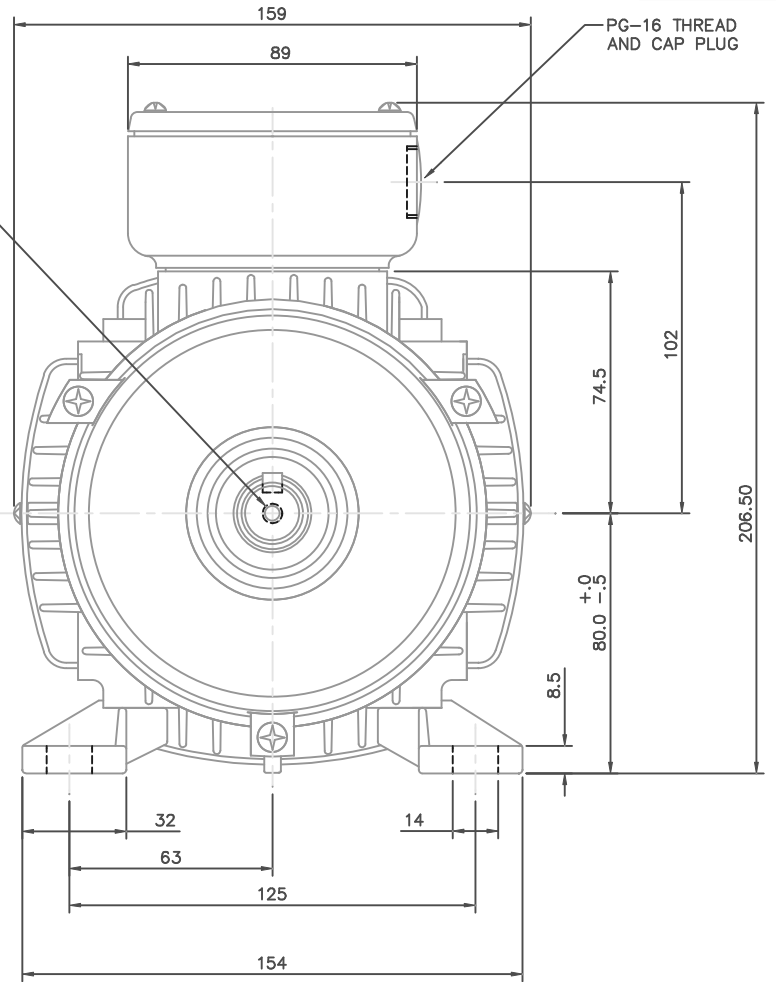
Technical Specifications


Electrical Type	Squirrel Cage Inverter Rated	Starting Method	Line Or Inverter
Poles	6	Rotation	Reversible
Resistance Main	20.3 Ohms	Mounting	B3
Motor Orientation	Horizontal	Drive End Bearing	Ball
Opp Drive End Bearing	Ball	Frame Material	Aluminum
Shaft Type	IEC	Overall Length	11.10 in
Frame Length	5.31 in	Shaft Diameter	0.750 in
Shaft Extension	1.57 in	Assembly/Box Mounting	F3
Connection Drawing	005465.01	Outline Drawing	16986100

This is an uncontrolled document once printed or downloaded and is subject to change without notice. Date Created:14/10/2020



M6-1.00 x 16 DEEP
R.H. THREADED SHAFT



NO.		REVISION		BY & DATE		TOLERANCES UNLESS SPECIFIED		 ELECTRIC MOTORS GEARMOTORS AND DRIVES	DRAWN
						DEC.	INCHES		ADS 01/22/02
						.X	±.1		CHK
						.XX	±.03		APPD
						.XXX	±.005		SCALE 1=1.5
						.XXXX	±.0005	REF OSVC-300-552	
						CHK	ANG ±1/2'	FMH LEESON STOCK	
						RFP	CAD FILE 16986100	PREV	
						DIST		SIZE B	
								DRAWING NO. 169861-00	
								REV.	

THIS DRAWING IN DESIGN AND DETAIL IS OUR PROPERTY AND MUST NOT BE USED EXCEPT IN CONNECTION WITH OUR WORK. ALL RIGHTS OF DESIGN AND INVENTION ARE RESERVED. THIS IS AN ELECTRONICALLY GENERATED DOCUMENT - DO NOT SCALE THIS PRINT.



REF. DECAL (IEC) 080644
REF. DECAL (NEMA) 080446

IEC MARKINGS



LINE VOLTAGE	L1	L2	L3	JOIN		
TERMINAL	U1	V1	W1	W2	U2	V2
LOW	U1,U5	V1,V5	W1,W5	---	U2,V2,W2	---
HIGH	U1	V1	W1	U2,U5	V2,V5	W2,W5

NEMA MARKINGS



LINE VOLTAGE	L1	L2	L3	JOIN		
TERMINAL	U1	V1	W1	W2	U2	V2
LOW	T1, T7	T2, T8	T3, T9	---	T4,T5,T6	---
HIGH	T1	T2	T3	T4, T7	T5, T8	T6, T9

TOLERANCES UNLESS SPECIFIED

DEC.	INCHES
.X	±.1
.XX	±.01
.XXX	±.005
.XXXX	±.0005
ANG	±1/2'



ELECTRIC MOTORS
GEARMOTORS
AND DRIVES

DRAWN MGM 12/3/02

CHK

APPD

SCALE 1=1

REF 00537703

FMF

PREV

01 NEMA LV CONNECTION WAS INCORRECT RLW 8/4/03

NO. REVISION BY & DATE

THIS DRAWING IN DESIGN AND DETAIL IS OUR PROPERTY AND MUST NOT BE USED EXCEPT IN CONNECTION WITH OUR WORK ALL RIGHTS OF DESIGN AND INVENTION ARE RESERVED THIS IS AN ELECTRONICALLY GENERATED DOCUMENT - DO NOT SCALE THIS PRINT

RFP
DIST

TITLE EXTERNAL WIRING DIAGRAM
3 PHASE - DUAL VOLTAGE - W/TERM BLOCK

MAT'L. IEC/NEMA MARKINGS

FINISH THERMAL TRANSFER

CAD FILE 00546501

SIZE A DRAWING NO. 005465-01 REV. 01



CERTIFICATION DATA SHEET

1051 CHEYENNE AVE.
 GRAFTON, WI 53024
 PH. 262-377-8810

CONN. DIAGRAM: 005465.01

CATALOG #: 192022.00

OUTLINE: 16986100

MOUNTING: F3

WINDING #: QT8061 FR 3 A

TYPICAL MOTOR PERFORMANCE DATA

HP	KW	SYNC. RPM	F.L. RPM	FRAME	ENCLOSURE	KVA CODE	DESIGN
.33&.33	0.25&0.25	1200	1130&915	D80	TEFC	H	B

PH	Hz	VOLTS	AMPS	START TYPE	DUTY	INSL	S.F.	AMB°C
3	60/50	230/460&200/400	1.3/1.65&1.42/1.71	LINE OR INVERTER	CONTINUOUS	F3	1.15/1.15	40

FULL LOAD EFF:	70	3/4 LOAD EFF:	69.4	1/2 LOAD EFF:	64.3	GTD. EFF	ELEC. TYPE
FULL LOAD PF:	68	3/4 LOAD PF:	54.8	1/2 LOAD PF:	43	-	SQ CAGE INV RATED

F.L. TORQUE	LOCKED ROTOR AMPS	L.R. TORQUE	B.D. TORQUE	F.L. RISE°C
23.8 OZ-FT	5.3 / 2.7	54 OZ-FT 225 %	64.8 OZ-FT 270 %	26

SOUND PRESSURE @ 3 FT.	SOUND POWER	ROTOR WK^2	MAX. WK^2	SAFE STALL TIME	STARTS / HOUR	APPROX. MOTOR WGT
- DBA	- DBA	0 LB-FT^2	- LB-FT^2	- SEC.	-	- LBS.

*** SUPPLEMENTAL INFORMATION ***

DE BRACKET TYPE	ODE BRACKET TYPE	MOUNT TYPE	ORIENTATION	SEVERE DUTY	HAZARDOUS LOCATION	DRIP COVER	SCREENS	PAINT
STANDARD	STANDARD	B3	HORIZONTAL	FALSE	NONE	FALSE	NONE	BLUE (ENAMEL)

BEARINGS DE ODE	GREASE	SHAFT TYPE	SPECIAL DE	SPECIAL ODE	SHAFT MATERIAL	FRAME MATERIAL
BALL BALL	POLYREX EM	STANDARD IEC	NONE	NONE	1045 HOT ROLLED (C-204)	ALUMINIUM

THERMO-PROTECTORS				THERMISTORS			SPACE HEATERS	
THERMOSTATS	PROTECTORS	WDG RTDS	BRG RTDS	CONTROL	SPACE HEATERS	VOLTS		
NONE	NOT	NONE	NONE	FALSE	NONE	NONE		

* INVERTER TORQUE: CONSTANT 20:1

INV. HP SPEED RANGE: 1.5 X BASE SPEED

ENCODER:	NONE	NONE	PPR
NONE	NONE	NONE	PPR

BRAKE:	NONE	NONE	NONE	V	NONE	Hz
NONE	NONE	P/N NONE	NONE	V	NONE	Hz



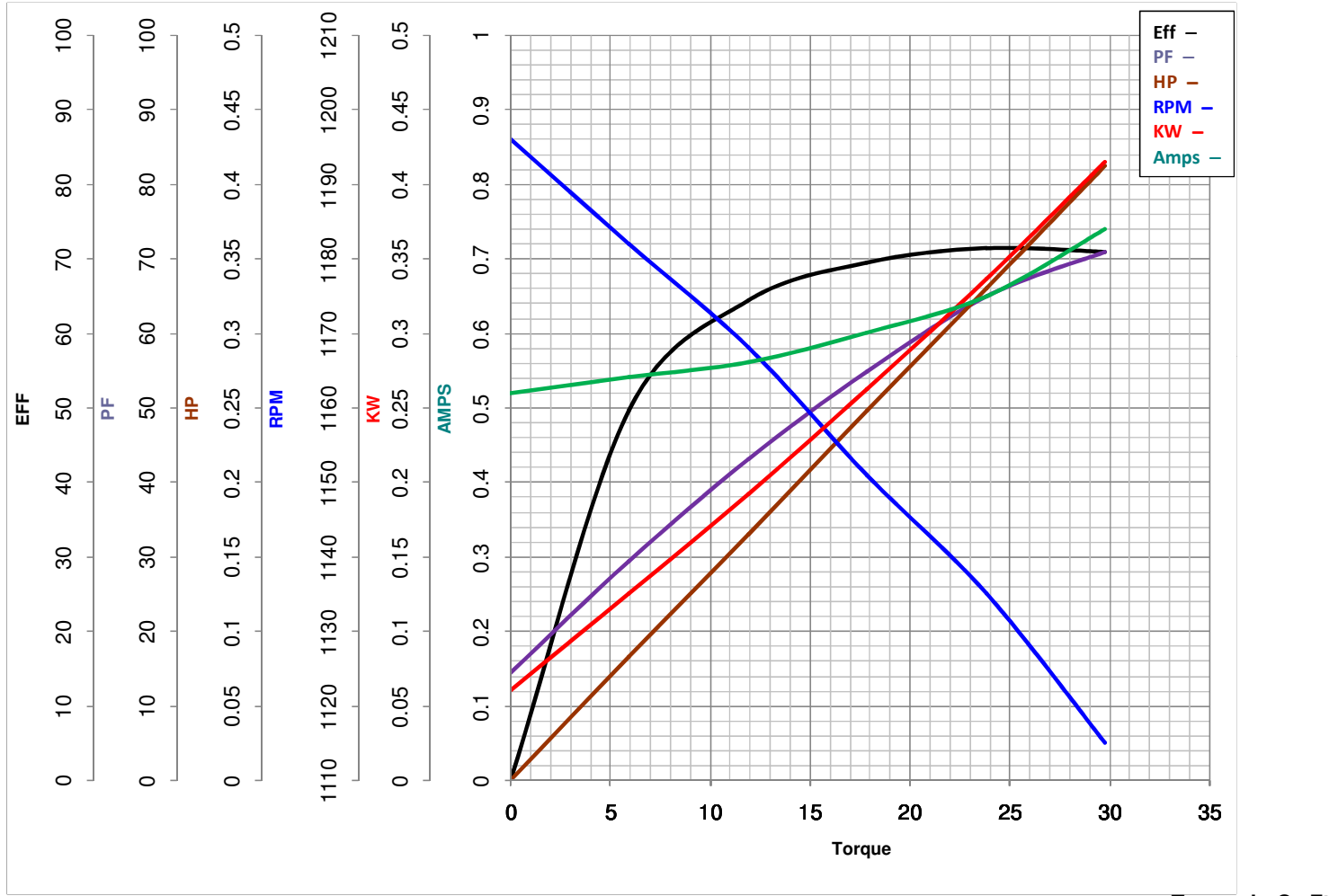
LEESON ELECTRIC CORPORATION
 TYPICAL PERFORMANCE CURVE for AC MOTOR

Model No 192022.00

Catalog No 192022.00

Curve at 460 Volts HP 0.33&0.33 PHASE 3
60 HZ
0.33 HP VOLTS 230/460&200/400

HZ 60&50 RPM 1130&915



FL TORQUE	<u>23.8</u>	Oz.Ft	FL AMPS	<u>1.3/.65</u>	
BD TORQUE	<u>64.8</u>	Oz.Ft	PU TORQUE	<u>51.6</u>	Oz.Ft
LR TORQUE	<u>54</u>	Oz.Ft	LR AMPS	<u>2.65</u>	
WINDING	QT8061-3		Date	5/23/2018	