

PRODUCT INFORMATION PACKET



Model No: LM24946
Catalog No: LM24946
0.25 HP General Purpose Motor, 3 phase, 1800 RPM, 230/460 V, 56C Frame, TEFC
Three Phase TEFC Motors



Regal and Leeson are trademarks of Regal Beloit Corporation or one of its affiliated companies.
©2020 Regal Beloit Corporation, All Rights Reserved. MC017097E





Nameplate Specifications

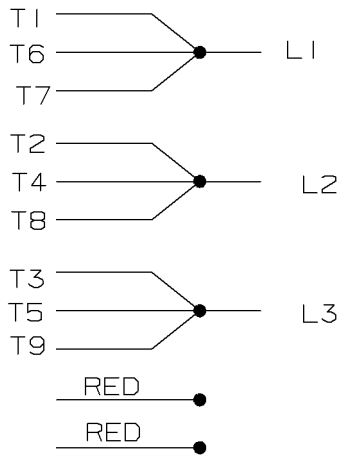
Output HP	0.25 Hp	Output KW	0.19 kW
Frequency	60 Hz	Voltage	230/460 V
Current	1.3/0.65 A	Speed	1725 rpm
Service Factor	1.15	Phase	3
Efficiency	62.5 %	Power Factor	58
Duty	Continuous	Insulation Class	F
Design Code	B	KVA Code	N
Frame	S56C	Enclosure	Totally Enclosed Fan Cooled
Thermal Protection	No	Ambient Temperature	40 °C
Drive End Bearing Size	203	Opp Drive End Bearing Size	203
UL	Recognized	CSA	Y
CE	N	IP Code	43

Technical Specifications

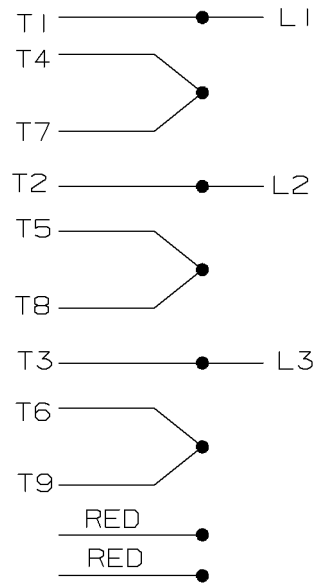
Electrical Type	Squirrel Cage Induction Run	Starting Method	Across The Line
Poles	4	Rotation	Reversible
Resistance Main	78 Ohms	Mounting	Rigid base
Motor Orientation	Horizontal	Drive End Bearing	Ball
Opp Drive End Bearing	Ball	Frame Material	Rolled Steel
Shaft Type	T	Overall Length	9.95 in
Frame Length	5.00 in	Shaft Diameter	0.625 in
Shaft Extension	2.06 in	Assembly/Box Mounting	F1/F2 CAPABLE
Connection Drawing	EE7308-LN	Outline Drawing	SS75180LN-500

This is an uncontrolled document once printed or downloaded and is subject to change without notice. Date Created:14/10/2020

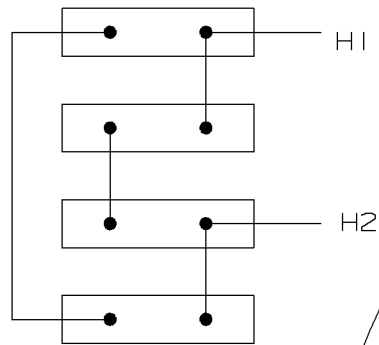
LOW VOLTAGE



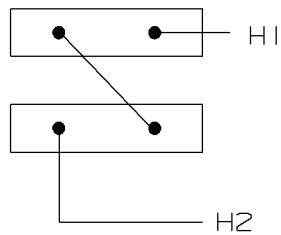
HIGH VOLTAGE



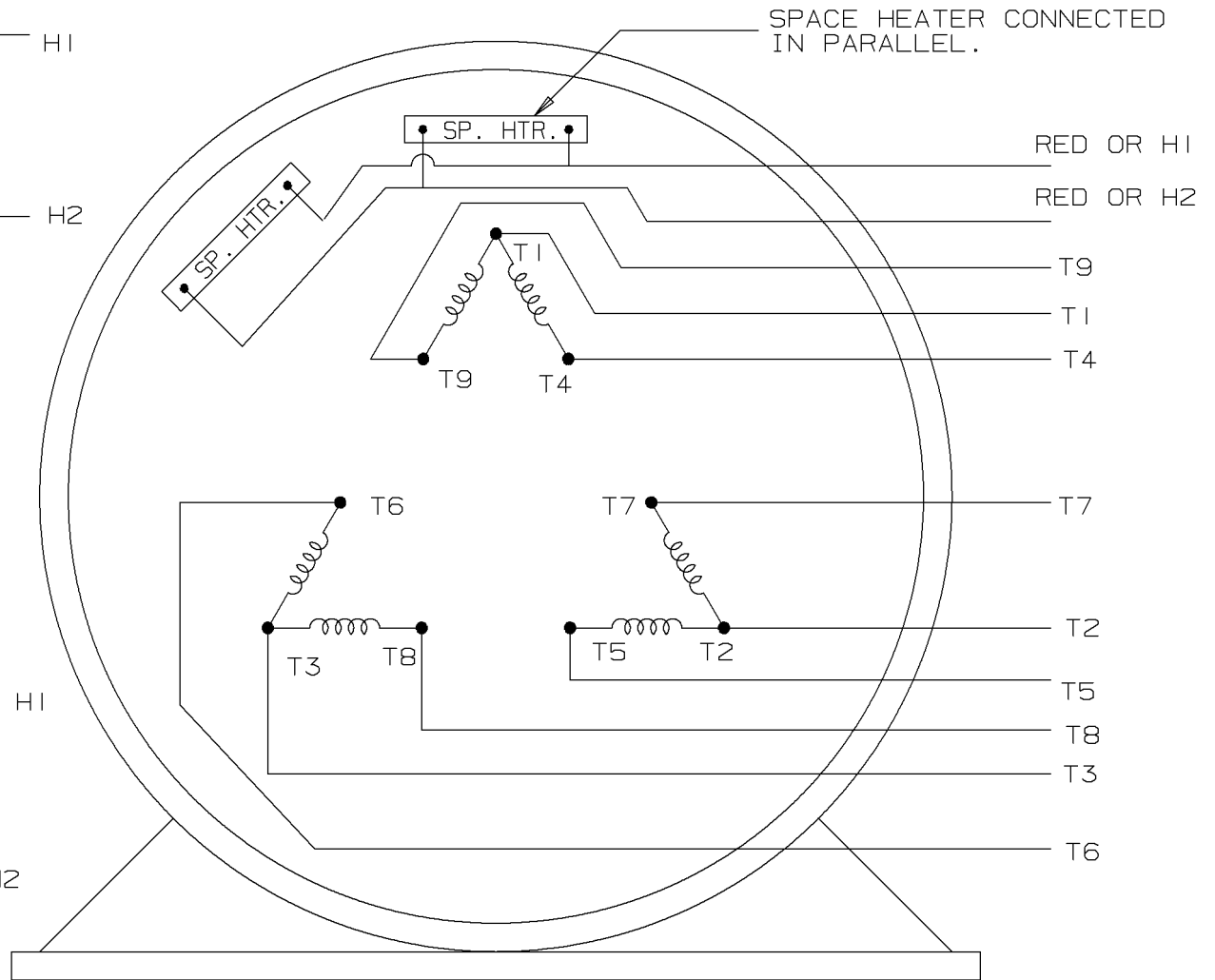
SPACE HEATERS CONNECTED IN SERIES PARALLEL



SPACE HEATERS CONNECTED IN SERIES



SPACE HEATER CONNECTED IN PARALLEL.



VIEW OF TERMINAL END

						✓ UNLESS OTHERWISE SPECIFIED DIMENSIONS ARE IN INCHES TOL. ON XX± .03 XXX± .005 XXXX± .0005 ANGLES± 7'30"				
						MAX. SURFACE ROUGHNESS UNLESS OTHERWISE NOTED		DRAWN BY CAV 04-14-2000		
						FINISH		CHKD BY DRS 04-14-2000		
						MATERIAL		APPD BY TB 04-14-2000		
REV	DATE	CHANGE		NAME	PART NAME CONNECTION DIAGRAM DELTA CONN. - 3Ø - 1-2CKT/SPACE HTR.				DRWG NO A- EE7308U-LN	
					PURCHASED		CADD FILE NO.		EE7308U-LN	

ERROR: undefined
OFFENDING COMMAND: sc

STACK:

1

1

-savelevel-



1051 CHEYENNE AVE.
 GRAFTON, WI 53024
 PH. 262-277-8810

DATA VOLTS: 460

CERTIFICATION DATA SHEET

CONN. DIAGRAM: A-EE7308-LN
 OUTLINE: A-SS75180LN-500
 WINDING: TE48413

CAT #:

LM24946

FR 3

TYPICAL MOTOR PERFORMANCE DATA

HP	KW	SYNC RPM	FL RPM	FRAME	ENCLOSURE	TYPE	KVA CODE	DESIGN	
0.25	0.19	1800	1725	S56C	TEFC	TFR	M	B	
PH	HZ	VOLTS	AMPS	START TYPE	DUTY	INSL	S.F.	AMB	ELEV.
3	60/50	208-230/460#190-208/380-415	1.2-1.3/65&14/0.6	ACROSS THE LINE	CONT	F	1.15	40	3300

F.L. EFF	F.L. PF	3/4 LD EFF	3/4 LD PF	58.0	49.5	1/2 LD EFF	49.0	GTD EFF	57.5	ELECT. TYPE
62.0	58.0	34 LD EFF	34 LD PF	58.0	49.5	1/2 LD PF	40.5	40.5	57.5	SQ CAGE IND RUN

F.L. TORQUE	LB-FT	LR AMPS @ 460 V	3.3	L.R. TORQUE	3.0	LB-FT	395%	B.D. TORQUE	3.5	LB-FT	461%	F.L. RISE (° C)	43
0.76	0.76	LR AMPS @ 460 V	3.3	L.R. TORQUE	3.0	LB-FT	395%	B.D. TORQUE	3.5	LB-FT	461%	F.L. RISE (° C)	43

PRESSURE @ 3	SOUND	POWER	ROTOR WK²	MAX. LOAD WK²	SAFE STALL TIME	STARTS/HOUR	MOTOR WGT
60	69	69	0.03	0	10	0	17

*** SUPPLEMENTAL INFORMATION ***

DE BRACKET TYPE	ODE BRACKET TYPE	MOUNT TYPE	MOTOR ORIENTATION	SEVERE DUTY	HAZARDOUS LOCATION	DRIP COVER	SCREENS	PAINT
C-FACE	STANDARD	RIGID	HORIZONTAL	NO	NONE	NO	NONE	WATTS/SAVER

BEARINGS	GREASE	SHAFT TYPE	SPECIAL DE	SPECIAL ODE	SHAFT MATERIAL	FRAME MATERIAL
DE ODE	POLYREX EM	T	NONE	NONE	1144 STRESSPROOF (C-223)	ROLLED STEEL
BALL BALL						
203						

THERMOSTATS	PROTECTORS	WDG RTD's	BRG RTD's	THERMISTORS	CONTROL	SPACE HEATERS
NONE	NOT	NONE	NONE	NONE	FALSE	NA

R1 (ohms/ph)	R2 (ohms/ph)	X1 (ohms/ph)	X2 (ohms/ph)	Xm (ohms/ph)	VIBRATION (in/sec)	FLOAT
41.428	25.538	34.391	13.28	419.95	0.150	ODE

* N O T E S *		INVERTER TORQUE: NONE	
		INV. HP SPEED RANGE: NONE	
		ENCODER: NONE	
		BRAKE: NONE	
		FT-LB: N/A	
		VOLTAGE: NONE	
		NONE PPR	

DATE:	9/11/2018	UL: V-INS, CONST UL REC	NONE	HZ:
-------	-----------	-------------------------	------	-----

Data Sheet

Date: 9/11/2018

LM24946



Data @ 460 V

Motor Load Data

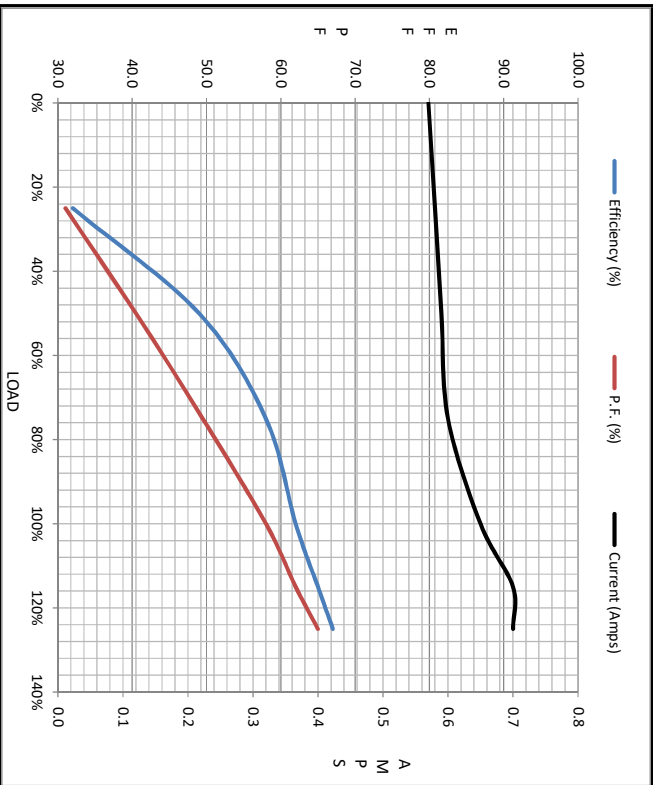
Load	0%	25%	50%	75%	100%	115%	125%	LR
Current (Amps)	0.57	0.58	0.59	0.60	0.65	0.70	0.70	3.3
Torque (ft-lb)	0.00	0.19	0.38	0.57	0.76	0.88	0.96	3.0
RPM	1800	1780	1770	1750	1725	1720	1715	0
Efficiency (%)		32.0	49.0	58.0	62.0	65.0	67.0	
P.F. (%)	21.0	31.0	40.5	49.5	58.0	62.0	65.0	76.0

Motor Speed Data

	LR	Pull-Up	BD	Rated	Idle
Speed (RPM)	0	600	1075	1725	1800
Current (Amps)	3.3	3.0	2.40	0.65	0.57
Torque (ft-lb)	3.0	3.2	3.5	0.76	0.00

Information Block

HP	0.3
Sync. RPM	1800
Frame	56
Enclosure	TEFC
Construction	TFR
Voltage	208-230/480#190-208/380-415 V
Frequency	60 Hz
Design	B
LR Code letter	M
Service Factor	1.15
Temp Rise @ FL	43 °C
Duty	CONT
Ambient	40 °C
Elevation	1,000 feet
Rotor/Shaft wk ²	0.03 Lb-Ft ²
Ref Wdg	TE#8413 FR
Sound Pressure @ 1M	60 dBA
VFD Rating	NONE
Outline Dwg	A-SS75180L-N-500
Conn. Diag	A-EE7308-1N
Additional Specifications:	
0	
0	
EQUIV CKT (OHMS / PHASE)	
R1	R2
41.4280	25.5380
X1	X2
34.3910	13.2800
Xm	
	419.9500



Speed - Torque Curve

