

# PRODUCT INFORMATION PACKET



Model No: M6C34DB11H

Catalog No: 110232.00

2HP..3450RPM.56.DP.115/230V.1PH.60HZ.CONT.MANUAL.40C.SPECSF.RIGID.COMPRESSOR  
DUTY.M6C34DB11H

Air Compressor



Regal and Leeson are trademarks of Regal Beloit Corporation or one of its affiliated companies.

©2018 Regal Beloit Corporation, All Rights Reserved. MC017097E



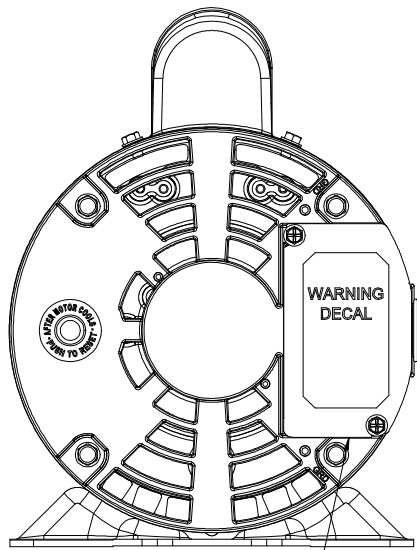


**Nameplate Specifications**

Output HP	<b>2 Hp</b>	Output KW	<b>1.5 kW</b>
Frequency	<b>60 Hz</b>	Voltage	<b>115/230 V</b>
Current	<b>22.0/11.0 A</b>	Speed	<b>3450 rpm</b>
Service Factor	<b>1</b>	Phase	<b>1</b>
Efficiency	<b>74 %</b>	Duty	<b>Continuous</b>
Insulation Class	<b>B</b>	Design Code	<b>L</b>
KVA Code	<b>H</b>	Frame	<b>56</b>
Enclosure	<b>Drip Proof</b>	Overload Protector	<b>Manual</b>
Ambient Temperature	<b>40 °C</b>	Drive End Bearing Size	<b>6203</b>
Opp Drive End Bearing Size	<b>6203</b>	UL	<b>Recognized</b>
CSA	<b>Y</b>	CE	<b>N</b>
IP Code	<b>22</b>		

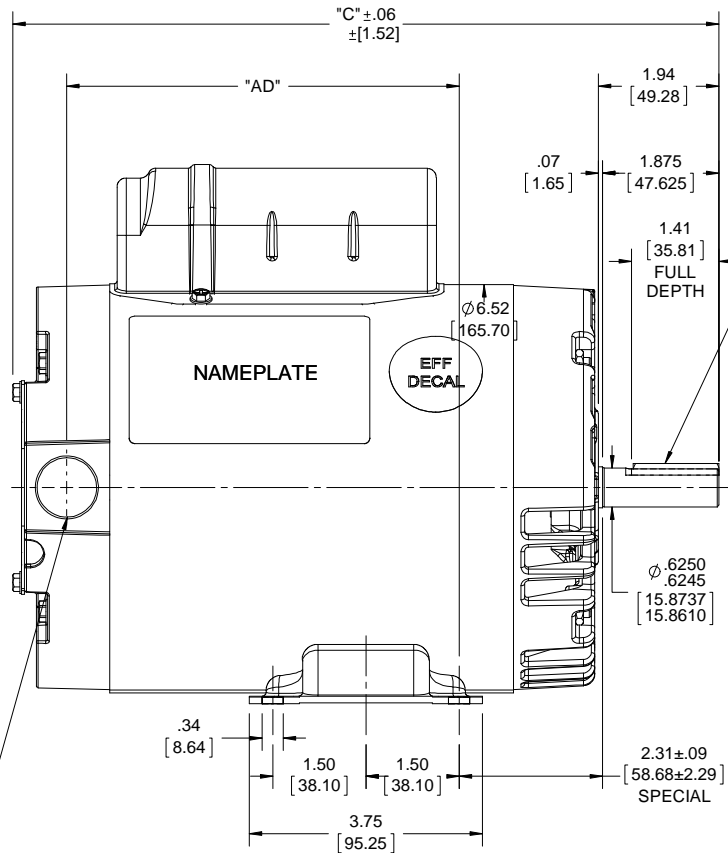
**Technical Specifications**

Electrical Type	<b>Capacitor Start Induction Run</b>	Starting Method	<b>Across The Line</b>
Poles	<b>2</b>	Rotation	<b>Selective Clockwise</b>
Mounting	<b>Rigid base</b>	Motor Orientation	<b>HORIZONTAL</b>
Drive End Bearing	<b>BALL</b>	Opp Drive End Bearing	<b>BALL</b>
Frame Material	<b>Rolled Steel</b>	Shaft Type	<b>NEMA 56</b>
Overall Length	<b>11.88 in</b>	Frame Length	<b>7.00 in</b>
Shaft Diameter	<b>0.625 in</b>	Shaft Extension	<b>1.88 in</b>
Assembly/Box Mounting	<b>F1 ONLY</b>		
Outline Drawing	<b>028550-700B</b>	Connection Diagram	<b>005049.06</b>

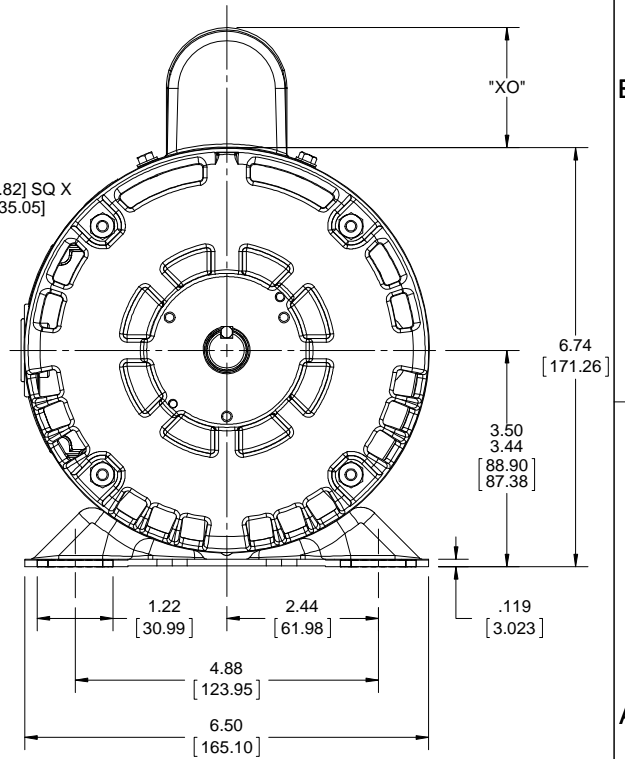


DECAL-CONNECTION UNDER COVER (WHEN REQ'D)

Ø.88 [22.35] CONDUIT HOLE (PLUGGED).



.19 [4.82] SQ X 1.38 [35.05] KEY.



DASH NO.	"C"	"AD"
650	11.37 [288.79]	6.32 [160.53]
700	11.87 [301.49]	6.82 [173.23]
750	12.37 [314.19]	7.32 [185.93]

CAP DASH.	"XO"
A	1.48 [37.59]
B	1.95 [49.53]
C	2.19 [55.63]

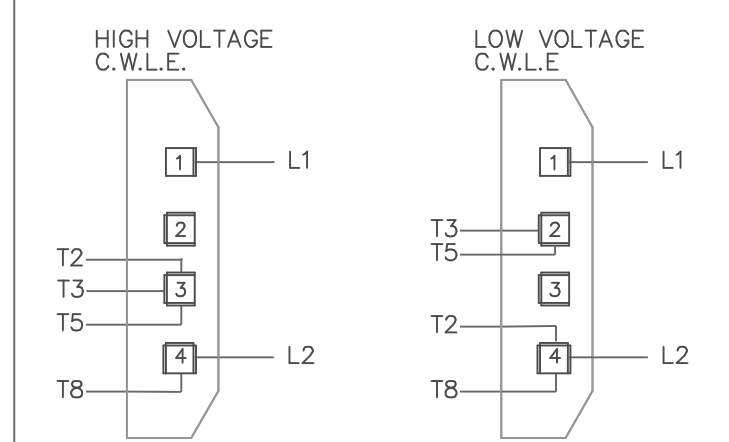
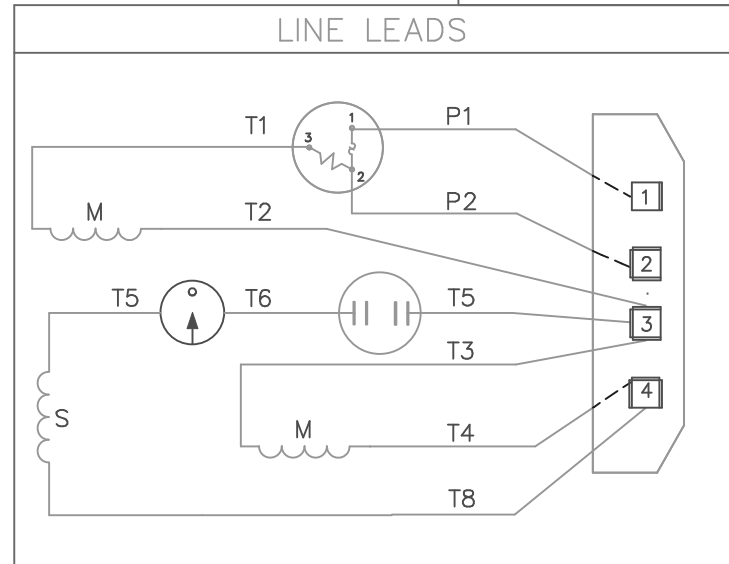
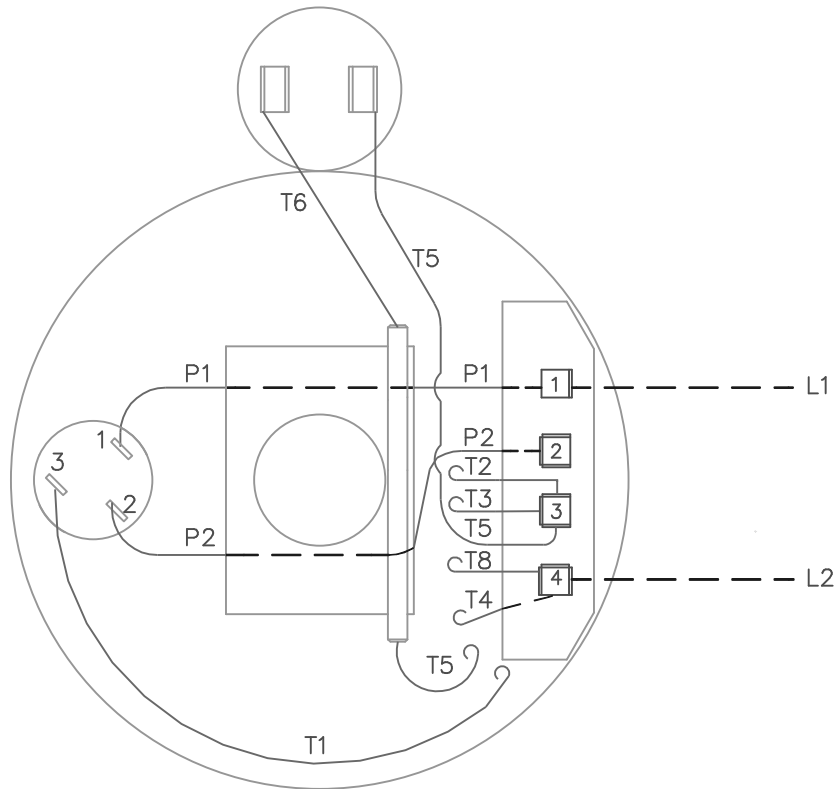
DRAWING REVISION E	REVISION BY A.SUPPANAVAR	DATE 01/22/2018
ECO ECO-0143018	APPROVED BY PK	DATE 04/10/2018
ECO DESCRIPTION <b>OUTLINE CONVERSION PROJECT</b> <small>COPYRIGHT REGAL BELOIT AMERICA, INC. ALL RIGHTS RESERVED. PROPRIETARY AND CONFIDENTIAL INFORMATION - THIS DOCUMENT IS THE PROPERTY OF REGAL BELOIT AMERICA, INC. (OWNER) AND CONTAINS OWNER'S PROPRIETARY INFORMATION. ANY PERSON, CORPORATION OR OTHER FIRM RECEIVING IT IS DEEMED, BY RECEIVING IT, TO AGREE THAT IT, AND/OR ANY PART OF IT, SHALL NOT BE DISCLOSED TO ANY PERSON, CORPORATION OR OTHER ENTITY, DUPLICATED, AND/OR USED, EXCEPT AS EXPRESSLY APPROVED IN WRITING IN ADVANCE BY OWNER. THIS DOCUMENT SHALL BE RETURNED TO OWNER UPON REQUEST. IT MAY BE SUBJECT TO CERTAIN RESTRICTIONS UNDER APPLICABLE EXPORT CONTROL LAWS AND REGULATIONS.</small>		

TOLERANCES UNLESS OTHERWISE SPECIFIED:			
DEC.	INCH	mm	ANGLE
.X	±0.1	[±2.5]	±0.5°
.XX	±0.03	[±0.76]	
.XXX	±0.005	[±0.127]	
.XXXX	±0.0005	[±0.0127]	
REMOVE BURRS & BREAK SHARP EDGES: .003/.015 [0.076/.381] X 45°			
CORNER FILLETS: R.02 [51]			
MACHINED SURFACES: 125/3.2			
mm SHOWN IN [BRACKETS]			

DRAWN BY LST	DATE 6/20/03
APPROVED BY RW	DATE 6/20/03
REFERENCE 032582	THIRD ANGLE PROJECTION

<b>REGAL</b> ™ Regal Beloit America, Inc.	
DESCRIPTION <b>OUTLINE</b> 56Y FRAME DRIP PROOF-RIGID	
MATERIAL	PROCESS/FINISH
SIZE <b>B</b>	DRAWING NUMBER <b>028550</b>
	SHEET 1 OF 1

VIEW FROM OUTSIDE OF MOTOR AT SWITCH END.



FOR C.C.W. ROTATION INTERCHANGE T5 AND T8.

				TOLERANCES UNLESS OTHERWISE SPECIFIED		<b>LEESON</b> ELECTRIC CORPORATION	
				DECIMALS			
				.00	± .01	DRAWN DL 11/11/88	TITLE EXTERNAL WIRING DIAGRAM W/BOARD TYPE "C" W/PROTECTOR
				.000	± .005	CH'K'D. RT 11/17/88	MAT'L. C.C.W. DECAL - 004098 C.W. DECAL - 080074 <b>BRF</b>
02	REDRAWN ON CAD	DBT	06/04/97	.0000	± .0005	APPR. TEM 11/18/88	
NO.	REVISION	BY	DATE	FRACTIONS	± 1/64	SCALE 1=1	FINISH
THIS DRAWING IN DESIGN AND DETAIL IS OUR PROPERTY AND MUST NOT BE USED EXCEPT IN CONNECTION WITH OUR WORK ALL RIGHTS OF DESIGN AND INVENTION ARE RESERVED				ANGLES	± 1/2°	REF. 0005262	
				INCH/MM		FMF 4C17DH92	DRAWING NO. 005049-06



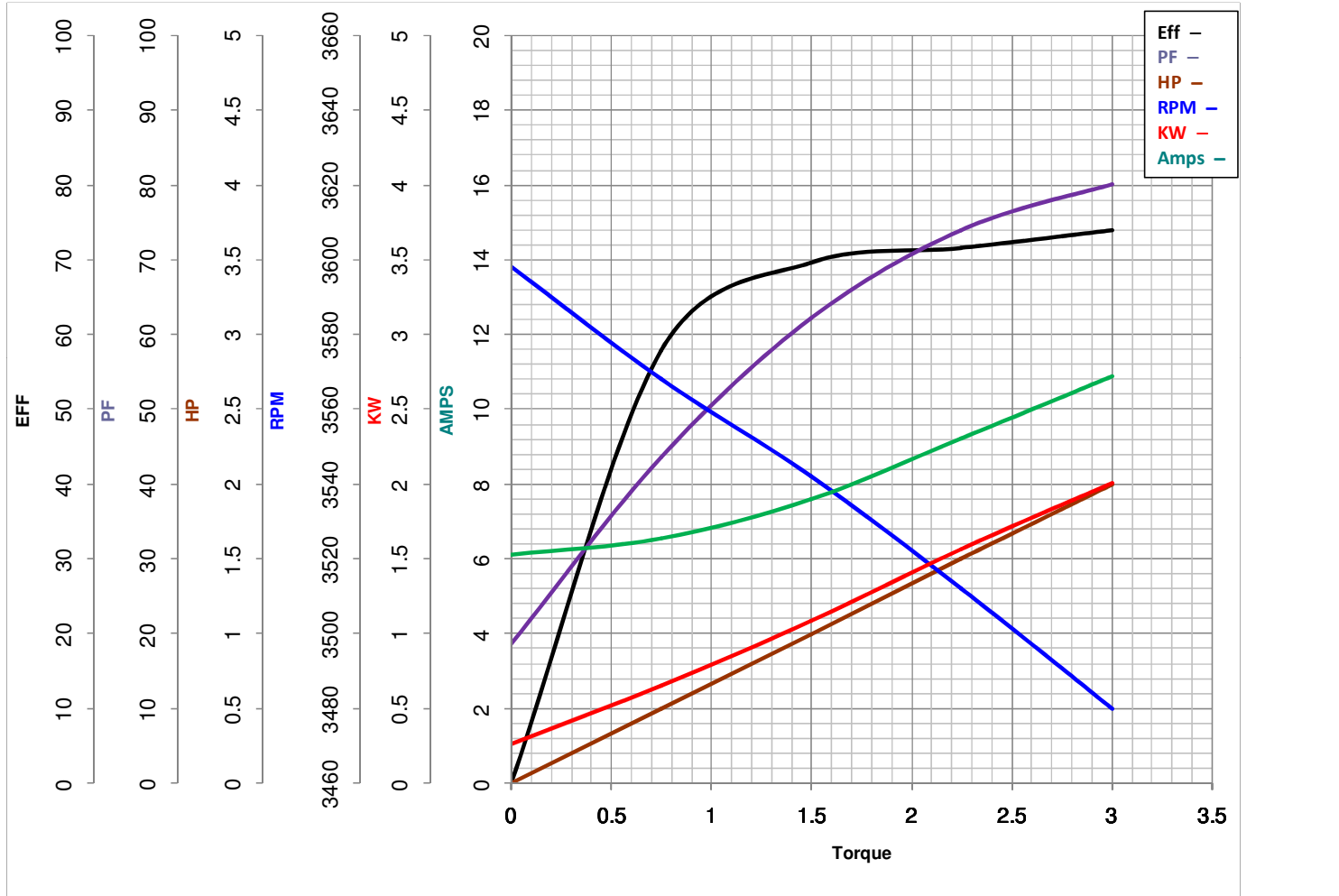
**LEESON ELECTRIC CORPORATION**  
 TYPICAL PERFORMANCE CURVE for AC MOTOR

Model No 110232.00

Catalog No 110232.00

Curve at 230 Volts      HP 2.00      PHASE 1  
60 HZ  
2 HP      VOLTS 115/230

HZ 60      RPM 3450



Torque in Lb.Ft

FL TORQUE 3 Lb.Ft  
 BD TORQUE 6.9 Lb.Ft  
 LR TORQUE 6.4 Lb.Ft

FL AMPS 22/11  
 PU TORQUE 6.2 Lb.Ft  
 LR AMPS 57

WINDING C632235-3

Date 5/2/2018