

PRODUCT INFORMATION PACKET



Model No: 110914.00
Catalog No: 110914.00
0.50 HP General Purpose Motor, 3 phase, 1200 RPM, 208-230/460 V, 56C Frame, TEFC
Three Phase TEFC Motors



Regal and Leeson are trademarks of Regal Beloit Corporation or one of its affiliated companies.
©2020 Regal Beloit Corporation, All Rights Reserved. MC017097E





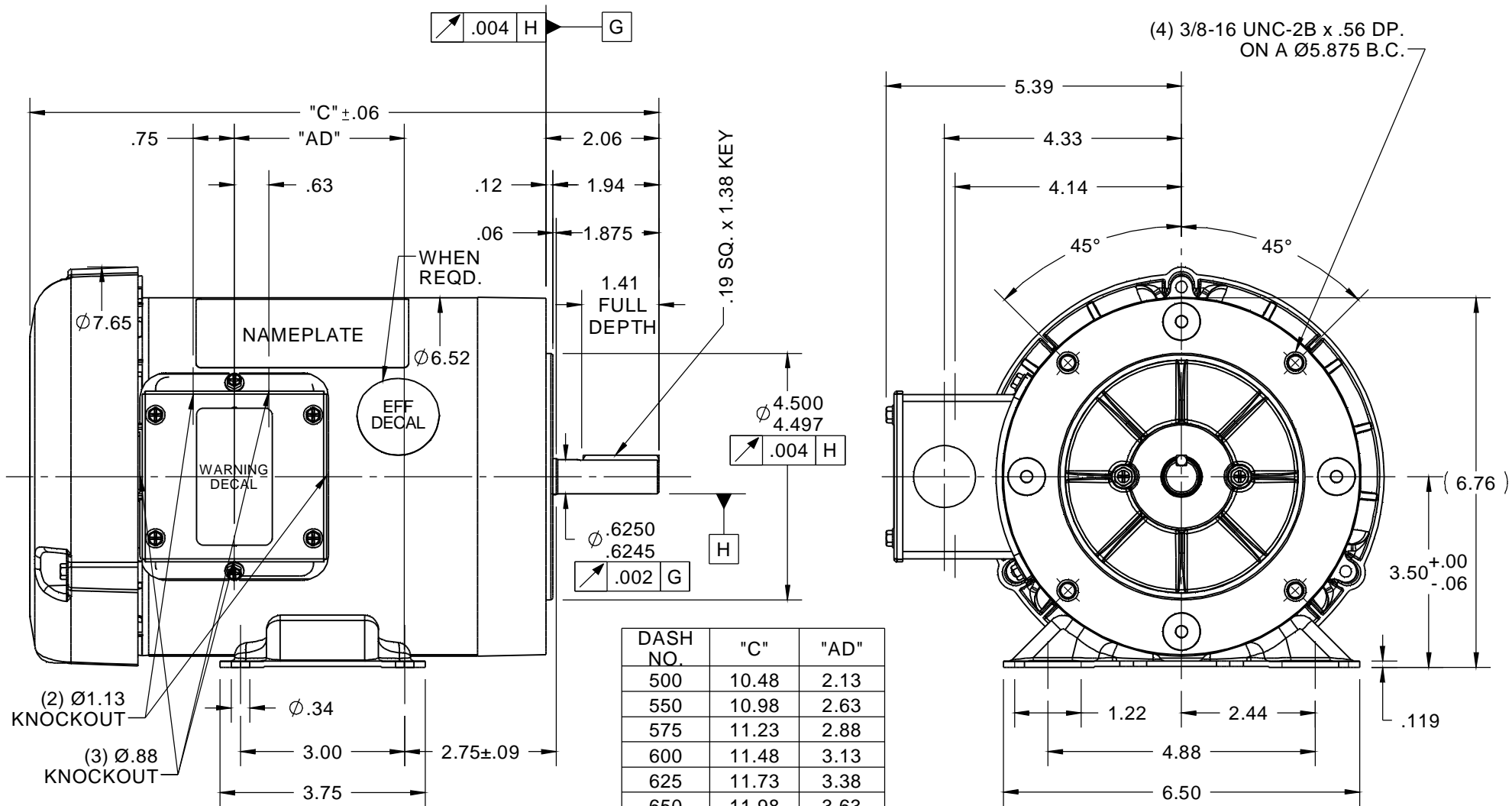
Nameplate Specifications

Output HP	0.50 Hp	Output KW	0.37 kW
Frequency	60 Hz	Voltage	208-230/460 V
Current	2.4/1.2 A	Speed	1140 rpm
Service Factor	1.15	Phase	3
Efficiency	70 %	Power Factor	56
Duty	Continuous	Insulation Class	B
Design Code	B	KVA Code	K
Frame	56C	Enclosure	Totally Enclosed Fan Cooled
Thermal Protection	No	Ambient Temperature	40 °C
Drive End Bearing Size	6203	Opp Drive End Bearing Size	6203
UL	Recognized	CSA	Y
CE	N	IP Code	54

Technical Specifications

Electrical Type	Squirrel Cage Induction Run	Starting Method	Across The Line
Poles	6	Rotation	Reversible
Resistance Main	11.25 Ohms	Mounting	Rigid base
Motor Orientation	Horizontal	Drive End Bearing	Ball
Opp Drive End Bearing	Ball	Frame Material	Rolled Steel
Shaft Type	NEMA 56	Overall Length	10.98 in
Frame Length	5.50 in	Shaft Diameter	0.625 in
Shaft Extension	1.88 in	Assembly/Box Mounting	F1 ONLY
Connection Drawing	005010.01	Outline Drawing	028784-550

This is an uncontrolled document once printed or downloaded and is subject to change without notice. Date Created:14/10/2020



NOTE:
1) GASKETS THROUGHOUT

ORACLE REV
004

DRAWING REVISION F
REVISION BY SAJID
DATE 06/01/2015
ECO ECO-0077371
APPROVED BY JD
DATE 06/01/2015
ECO DESCRIPTION
ADDED WHEN REQD. NOTE ON EFF.DECAL & DASH# 750
COPYRIGHT REGAL BELOIT AMERICA, INC. ALL RIGHTS RESERVED.
PROPRIETARY AND CONFIDENTIAL INFORMATION - THIS DOCUMENT IS THE PROPERTY OF REGAL BELOIT AMERICA, INC. ("OWNER") AND CONTAINS OWNER'S PROPRIETARY INFORMATION. ANY PERSON, CORPORATION OR OTHER FIRM RECEIVING IT IS DEEMED, BY RECEIVING IT, TO AGREE THAT IT, AND/OR ANY PART OF IT, SHALL NOT BE DISCLOSED TO ANY PERSON, CORPORATION OR OTHER ENTITY, DUPLICATED, AND/OR USED, EXCEPT AS EXPRESSLY APPROVED IN WRITING IN ADVANCE BY OWNER. THIS DOCUMENT SHALL BE RETURNED TO OWNER UPON REQUEST. IT MAY BE SUBJECT TO CERTAIN RESTRICTIONS UNDER APPLICABLE EXPORT CONTROL LAWS AND REGULATIONS.

TOLERANCES UNLESS OTHERWISE SPECIFIED:
DEC. INCH. mm ANGLE
.X ±0.1 [±2.5] ±0.5°
.XX ±0.03 [±0.76]
.XXX ±0.005 [±0.127]
.XXXX ±0.0005 [±0.0127]
REMOVE BURRS & BREAK SHARP EDGES: .003/.015 [0.076/.381] X 45°
CORNER FILLETS: R.02 [0.51]
MACHINED SURFACES: 125/3.2 INCH/mm
mm SHOWN IN [BRACKETS]

DRAWN BY KMM 08/14/07
DATE
APPROVED BY
DATE
REFERENCE 028784
THIRD ANGLE PROJECTION

REGAL™ Regal Beloit America, Inc.

DESCRIPTION
OUTLINE
TEFC - RIGID "C" FACE

MATERIAL
PROCESS/FINISH
GENERAL PURPOSE

SIZE A
DRAWING NUMBER 028784
SHEET 1 OF 1

005010-01

VIEW FROM OUTSIDE OF MOTOR AT SWITCH END.



VOLTAGE	L1	L2	L3	JOIN & INSULATE
HIGH	T1	T2	T3	(T4,T7) (T5,T8) (T6,T9)
LOW	T1,T7	T2,T8	T3,T9	T4,T5,T6

				TOLERANCES UNLESS SPECIFIED		REGAL ™ Regal Beloit America, Inc.		DRAWN RDW 04/12/02				
				DEC.	INCHES			CHK				
				.X	±.1			APPD				
				.XX	±.01	TITLE EXTERNAL WIRING DIAGRAM 3 PHASE W/O PROTECTOR		SCALE 1=1				
				.XXX	±.005			REF FIG.2-51				
A	UPDATED TO REGAL LOGO			SAJ	06/26/15	AJY	.XXXX	±.0005	MAT'L. DECAL - 004014	FMF		
NO.	REVISION			BY & DATE	CHK	ANG	±1/2"		FINISH	PREV		
THIS DRAWING IN DESIGN AND DETAIL IS OUR PROPERTY AND MUST NOT BE USED EXCEPT IN CONNECTION WITH OUR WORK ALL RIGHTS OF DESIGN AND INVENTION ARE RESERVED THIS IS AN ELECTRONICALLY GENERATED DOCUMENT - DO NOT SCALE THIS PRINT				RFP	04/12/02		CAD FILE		00501001	SIZE	DRAWING NO.	REV.
				DIST		BRF-NLV		A	005010-01		A	



P.O. BOX 8003
WAUSAU, WI 54401-8003
PH. 715-675-3311

DATA VOLTS: 460

CERTIFICATION DATA SHEET

CONN. DIAGRAM: 005010.01
OUTLINE: 028784-550
WINDING: T63641

FR 3

CAT #: 110914.00

TYPICAL MOTOR PERFORMANCE DATA

HP	KW	SYNC RPM	FL RPM	FRAME	ENCLOSURE	TYPE	KVA CODE	DESIGN	
0.5	0.37	1200	1160	56C	TEFC	NA	K	B	
PH	HZ	VOLTS	AMPS	START TYPE	DUTY	INSL	S.F.	AMB	ELEV.
3	60	208-230/460	2.35/1.2	ACROSS THE LINE	CONT	B	1.15	40	3300
F.L. EFF		70.0	3/4 LD EFF	60.0	1/2 LD EFF	60.8	GTD EFF	ELECT. TYPE	
F.L. PF		56.1	3/4 LD PF	47.5	1/2 LD PF	37.7	0.0	SQ CAGE IND RUN	
F.L. TORQUE		LR AMPS @ 460 V	L.R. TORQUE	B.D. TORQUE		F.L. RISE (°C)			
572 LB-FT		5.0	1,272 LB-FT	222%	1,813 LB-FT	317%	82		
PRESSURE @ 3		POWER	ROTOR WK²	MAX. LOAD WK²	SAFE STALL TIME	STARTS/HOUR	MOTOR WGT		
60 DBA		69 DBA	0.07 LB-FT²	0.1 LB-FT²	10 SEC.	0	0 LB.		

*** SUPPLEMENTAL INFORMATION ***

DE BRACKET TYPE	ODE BRACKET TYPE	MOUNT TYPE	MOTOR ORIENTATION	SEVERE DUTY	HAZARDOUS LOCATION	DRIP COVER	SCREENS	PAINT
C-FACE	STANDARD	RIGID	HORIZONTAL	NO	NONE	NO	NONE	JE-LEESON (ENAM)
BEARINGS	GREASE	SHAFT TYPE	SPECIAL DE	SPECIAL ODE	SHAFT	MATERIAL	FRAME MATERIAL	
DE ODE	POLYREX EM	STANDARD 56	NONE	NONE	1144 STRESSPROOF (C-223)	ROLLED STEEL		
BALL BALL								
6203	6203							

THERMOSTATS	PROTECTORS	WDG RTD's	BRG RTD's	THERMISTORS	CONTROL	SPACE HEATERS
NONE	NOT	NONE	NONE	NONE	FALSE	NA
R1 (ohms/ph)	R2 (ohms/ph)	X1 (ohms/ph)	X2 (ohms/ph)	Xm (ohms/ph)	VIBRATION (in/sec)	FLOAT
0	0	0	0	0	0.080	ODE

* N O T E S *		INVERTER TORQUE: NONE	
		INV. HP SPEED RANGE: NONE	
		ENCODER: NONE	
		NONE	
		NONE	
		BRAKE: NONE	
		NONE	
		FT-LB: NA	NONE
		VOLTAGE: NONE	
		UL: Y-(LEESON UL REC)	

DATE:	1/22/2018	HZ:	
-------	-----------	-----	--



Motor Load Data

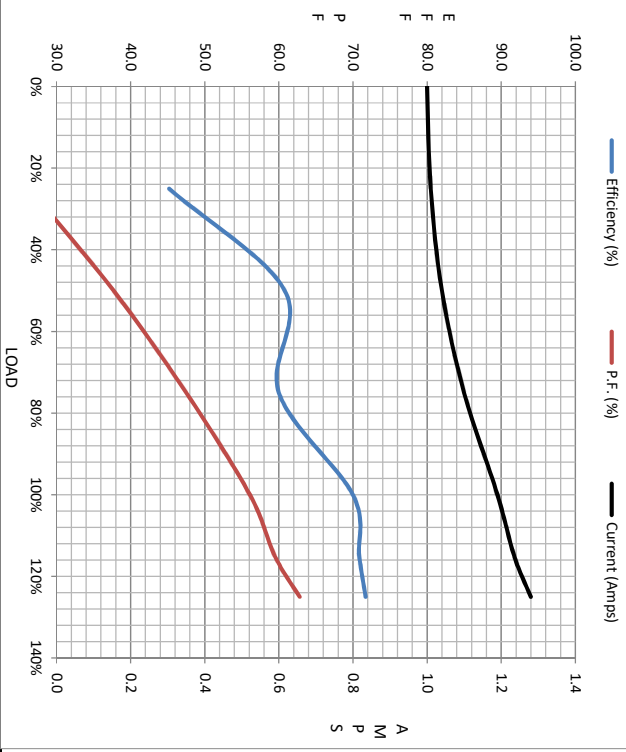
Load	0%	25%	50%	75%	100%	115%	125%	LR
Current (Amps)	1.00	1.01	1.04	1.10	1.19	1.24	1.28	5.0
Torque (ft-lb)	0.00	143	286	382	572	10,242	716	1,272
RPM	1200	1192	1182	1171	1160	1,155	1,148	0
Efficiency (%)		45.2	60.8	60.0	70.0	70.9	71.7	
P.F. (%)	13.2	26.4	37.7	47.5	56.1	59.5	62.8	0.0

Motor Speed Data

	LR	Pull-Up	BD	Rated	Idle
Speed (RPM)	0	600	1104	1160	1200
Current (Amps)	5.0	4.6	3.0	1.19	1.00
Torque (ft-lb)	1,272	1,209	1,813	572	0.00

Information Block

HP	0.5			
Sync. RPM	1200			
Frame	140			
Enclosure	TEFC			
Construction	NA			
Voltage	208-230/460 V			
Frequency	60 Hz			
Design	B			
LR Code letter	K			
Service Factor	1.0			
Temp Rise @ FL	82 °C			
Duty	CONT			
Ambient	40 °C			
Elevation	1,000 feet			
Rotor/Shaft wk ²	0.07 lb-Ft ²			
Ref Wdg	T63641 FR			
Sound Pressure @ 1M	60 dBA			
VFD Rating	NONE			
Outline Dwg	028784-550			
Conn. Diag	005010.01			
Additional Specifications:				
0				
EQUIV CKT (OHMS / PHASE)				
R1	R2	X1	X2	Xm
0.0000	0.0000	0.0000	0.0000	0.0000



Speed - Torque Curve

