

PRODUCT INFORMATION PACKET



Model No: M1135046.00
Catalog No: M1135046.00
0.25 HP DC Gearmotor, 500 RPM, 90 V, 34 Frame, TENV
Other Right Angle DC Gearmotors



Regal and Leeson are trademarks of Regal Beloit Corporation or one of its affiliated companies.
©2020 Regal Beloit Corporation, All Rights Reserved. MC017097E





Nameplate Specifications

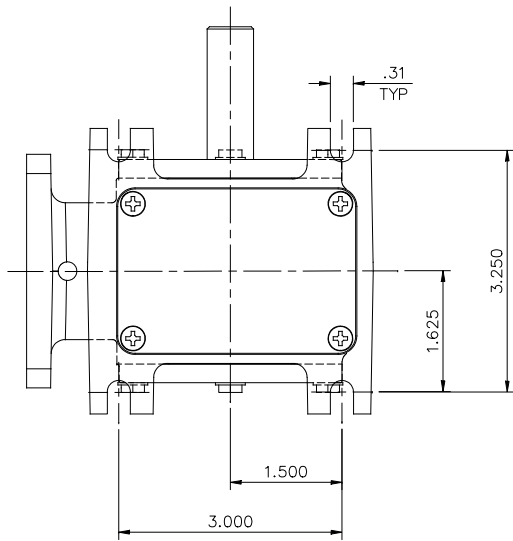
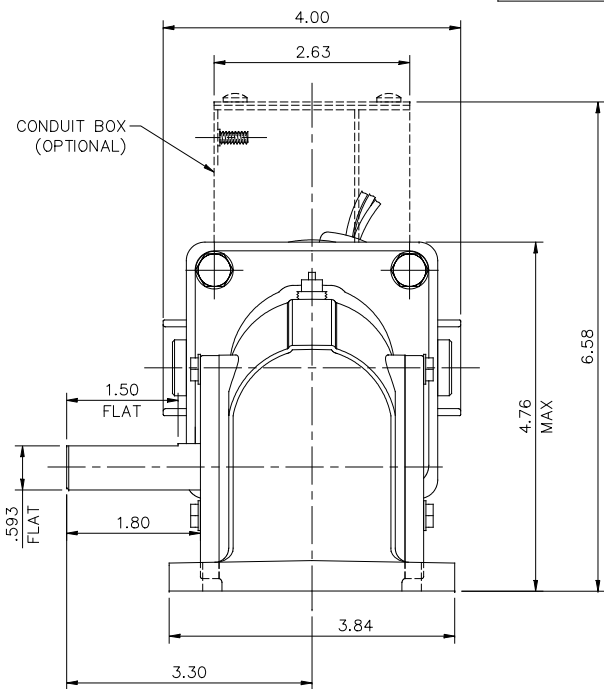
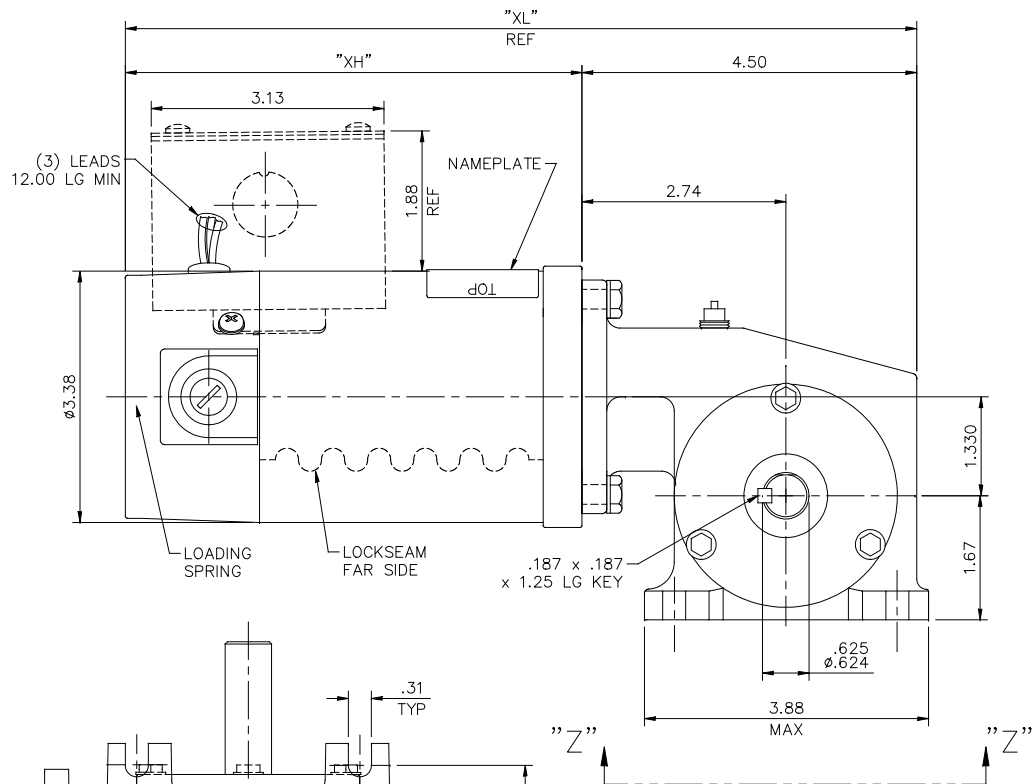
Output HP	0.25 Hp	Output KW	0.19 kW
Voltage	90 V	Current	2.3 A
Speed	500 rpm	Service Factor	1
Efficiency	61.1 %	Duty	Continuous
Insulation Class	H	Frame	34
Enclosure	Totally Enclosed Non Ventilated	Thermal Protection	No
Ambient Temperature	40 °C	Drive End Bearing Size	6201
Opp Drive End Bearing Size	6201	UL	Recognized
CSA	Y	CE	Y

Technical Specifications

Rotation	Reversible	Mounting	Special
Shaft Type	Right Angle	Overall Length	12.64 in
Frame Length	5.81 in	Shaft Diameter	0.625 in
Shaft Extension	1.8 in		
Outline Drawing	M1030350-M1135046	Connection Drawing	M100512401

This is an uncontrolled document once printed or downloaded and is subject to change without notice. Date Created:30/12/2020

M1030350



VIEW Z-Z

CATALOG NUMBER	SPEED RANGE RPM	FULL LOAD TORQUE LB.-IN.	INPUT HP	OVERHUNG LOAD LBS.	GEARMOTOR TYPE & FRAME	RATIO TO 1	"XH"	"XL"
M1135046.00	500-8	30	1/4	235	13F05-34G	5	8.14	12.64
M1135045.00	250-4	50	1/4	235	13F10-34G	10	8.14	12.64
M1135044.00	125-2.1	90	1/4	235	13F20-34G	20	8.14	12.64
M1135043.00	83-1.4	125	1/4	235	13F30-34G	30	8.14	12.64
M1135042.00	62-1	135	1/4	235	13F40-34G	40	8.14	12.64

NO.	REVISION	BY & DATE	CHK	ANG	TOLERANCES UNLESS SPECIFIED		FINISH	LEESON	DRAWN DWF 11/30/93
					DEC.	INCHES			
					.X	±.1			CHK
					.XX	±.03			APPD
					.XXX	±.005			SCALE 5=8
					.XXXX	±.0005			REF M1135049.99
Y	REMOVED 1/8 HP RATINGS FROM TABLE, ECO-0173505	IPG 9/13/19							FMF M1135046.00
			RFP				LEESON		PREV
			DIST				CAD FILE M1030350		
								SIZE B	DRAWING NO. M1030350
									REV. Y



ELECTRIC MOTORS
GEARMOTORS
AND DRIVES

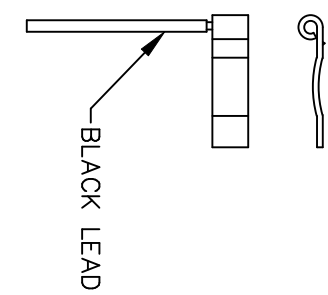
TITLE
OUTLINE 34 FRAME DC
13 SERIES 90V GEARMOTOR

THIS DRAWING IN DESIGN AND DETAIL IS OUR PROPERTY AND MUST NOT BE USED EXCEPT IN CONNECTION WITH OUR WORK ALL RIGHTS OF DESIGN AND INVENTION ARE RESERVED THIS IS AN ELECTRONICALLY GENERATED DOCUMENT - DO NOT SCALE THIS PRINT

D.C. MOTORS



EXTERNAL CONNECTIONS FOR CW ROTATION
 VIEWING LEAD END OF MOTOR WITH RED LEAD
 POSITIVE AND BLACK LEAD NEGATIVE (-)
 FOR CCW ROTATION REVERSE POLARITY



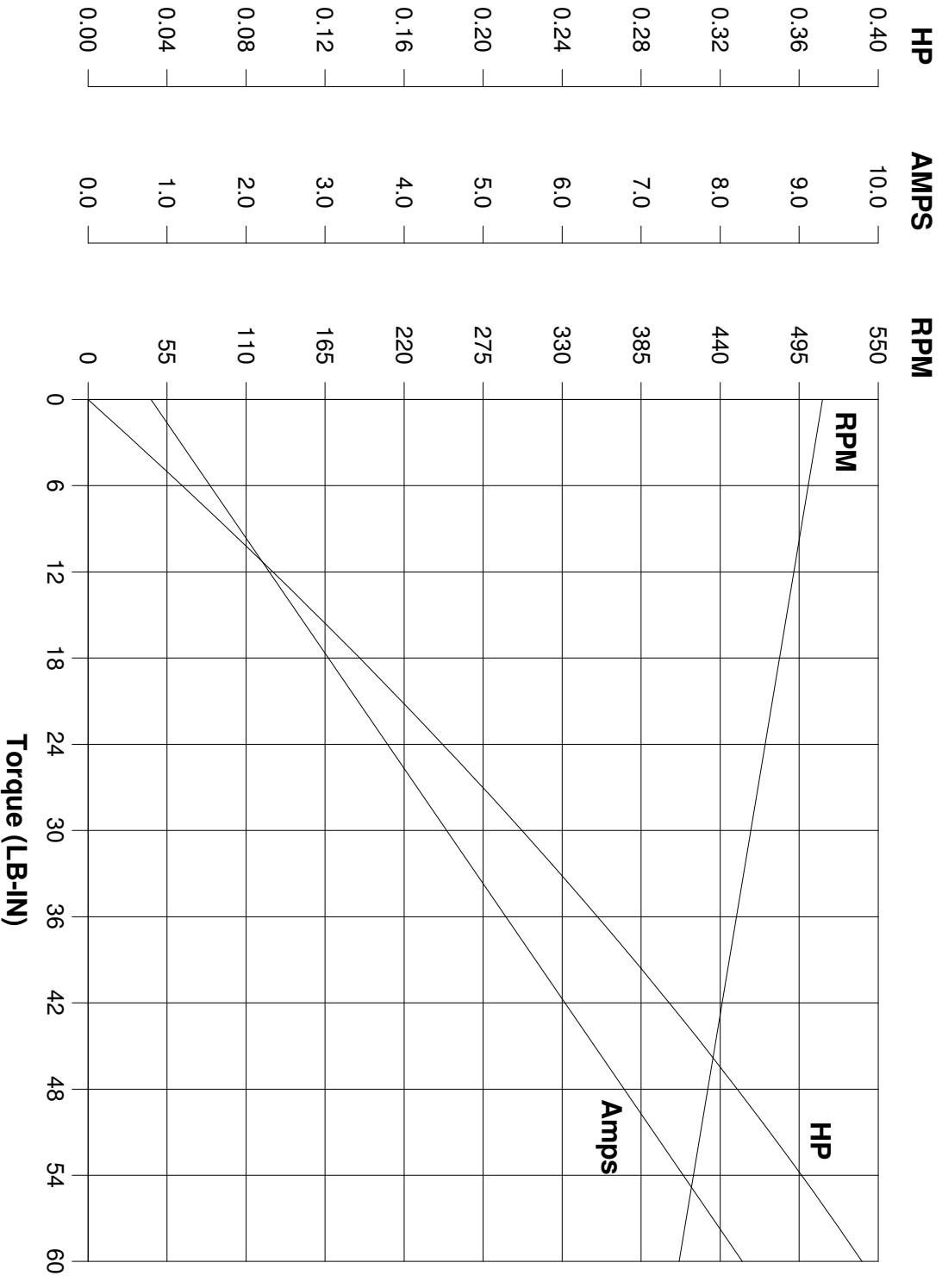
07	CORRECTED "N" & "S", ECR 80000 (PER BC)	VS	8/14/02	BC	TOLERANCES UNLESS SPECIFIED		LEESON ELECTRIC MOTORS GEARMOTORS AND DRIVES	DRAWN	SPV 12/10/91
06	REMOVED GROUND HOLE	TMZ	3/16/95	DEC.	INCHES			CHK	DWF 5/20/92
05	REVERSE ROTATION WAS CW	SPV	6/3/94	.X	±.1		TITLE	APPD	
04	CHANGED ROTATION FROM CCW TO CW	MJS	3/9/93	.XX	±.01			SCALE	1=1
03	REVISED ROTATION NOTE	DWF	1/6/93	.XXX	±.005		MAT'L.	REF	
02	ADDED GREEN LEAD	DWF	8/1/92	.XXXX	±.0005			FINISH	FMF M9131D2N22
NO.	REVISION	BY & DATE	CHK	ANG	±1/2"			PREV	
THIS DRAWING IN DESIGN AND DETAIL IS OUR PROPERTY AND MUST NOT BE USED EXCEPT IN CONNECTION WITH OUR WORK ALL RIGHTS OF DESIGN AND INVENTION ARE RESERVED THIS IS AN ELECTRONICALLY GENERATED DOCUMENT - DO NOT SCALE THIS PRINT				RFP	CAD FILE	M100512401	SIZE	DRAWING NO.	REV.
				DIST			A	M1005124.01	07

LEESON ELECTRIC CORPORATION

TYPICAL PERFORMANCE CURVE FOR DIRECT CURRENT PERMANENT MAGNET MOTOR

Model No. CM34D25NZ14 Catalog No. M1135046.00

HP 0.250 RPM 500 DC Volts 90.0 N.P. FLA 2.30
 F.F. 1.38 Encl TENV Type DN S.F. 1.00
 Max. Amb. 40.0 Deg C Insul. H Frame 34 Duty CONT



Ra <u>2.0900</u> Ohms La <u>9.984</u> mHenrys Ja <u>0.6440</u> LB-IN ^{1/2} Ke <u>34.50</u> V/KRPM	Kt <u>2.916</u> LB-IN/AMP I _{max} <u>38.3</u> AMPS Allowed FL Torque <u>30.00</u> LB-IN FL EFF <u>40.10</u> %
---	---

Winding W- MD342145-1 Prepared by V. Boehlen Date 12-07-2005