

# PRODUCT INFORMATION PACKET



Model No: 192016.00  
Catalog No: 192016.00  
0.25 HP General Purpose, 3 phase, 1200 RPM, 230/460 V, 71D Frame, TEFC  
Aluminium TEFC Motors



Regal and Leeson are trademarks of Regal Beloit Corporation or one of its affiliated companies.  
©2020 Regal Beloit Corporation, All Rights Reserved. MC017097E





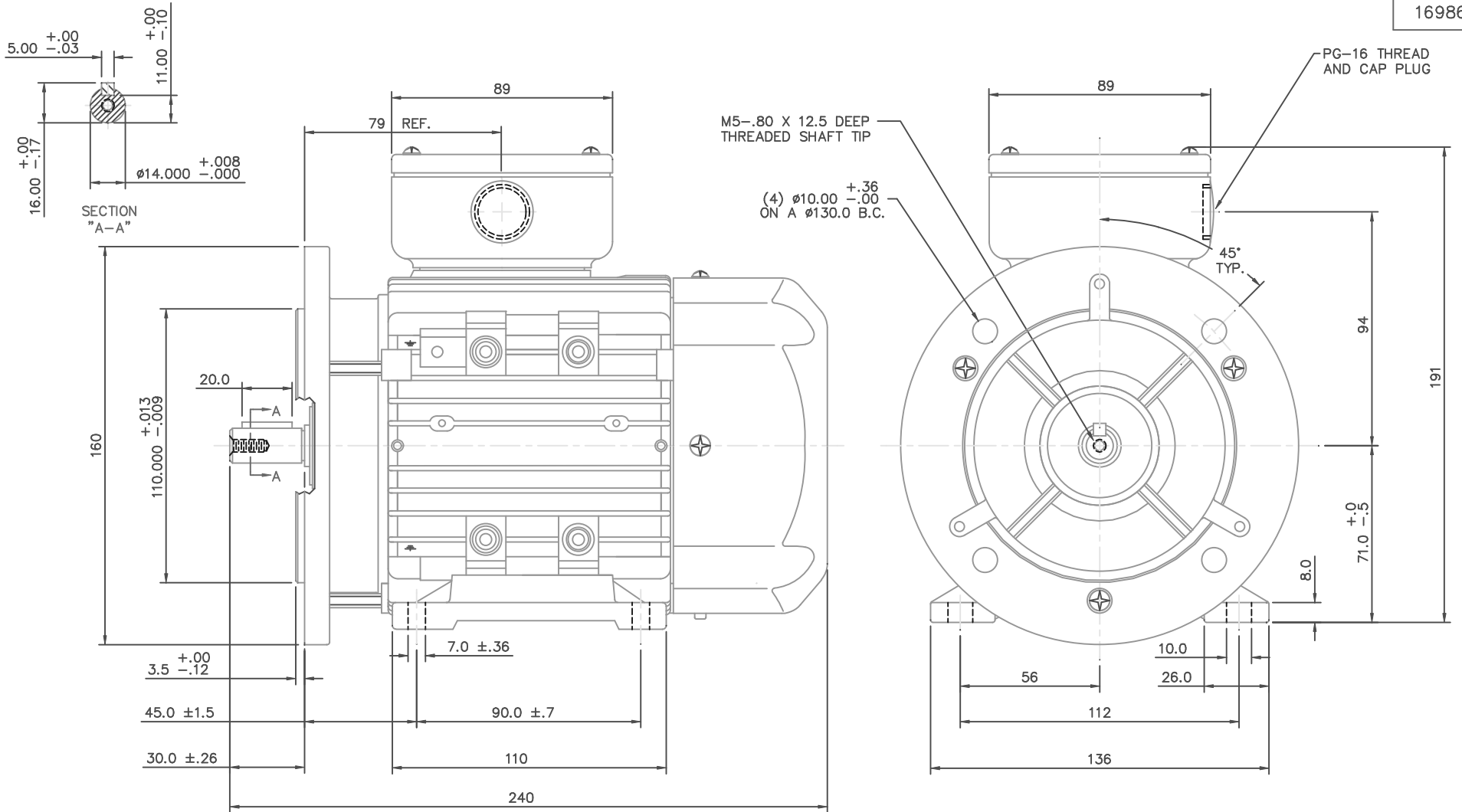
**Nameplate Specifications**

Output HP	0.25 Hp	Output KW	0.19 kW
Frequency	60 Hz	Voltage	230/460 V
Current	1.2/0.58 A	Speed	1120 rpm
Service Factor	1.15	Phase	3
Efficiency	64 %	Power Factor	63
Duty	Continuous	Insulation Class	F
Design Code	B	KVA Code	G
Frame	71	Enclosure	Totally Enclosed Fan Cooled
Thermal Protection	No	Ambient Temperature	40 °C
Drive End Bearing Size	6203	Opp Drive End Bearing Size	6203
UL	Recognized	CSA	Y
CE	Y	IP Code	55

**Technical Specifications**

Electrical Type	Squirrel Cage Inverter Rated	Starting Method	Line Or Inverter
Poles	6	Rotation	Reversible
Resistance Main	31.6 Ohms	Mounting	B3
Motor Orientation	Horizontal	Drive End Bearing	Ball
Opp Drive End Bearing	Ball	Frame Material	Aluminum
Shaft Type	IEC	Overall Length	9.44 in
Frame Length	4.68 in	Shaft Diameter	0.562 in
Shaft Extension	1.18 in	Assembly/Box Mounting	F3
Outline Drawing	16986800	Connection Drawing	005465.01

This is an uncontrolled document once printed or downloaded and is subject to change without notice. Date Created:14/10/2020

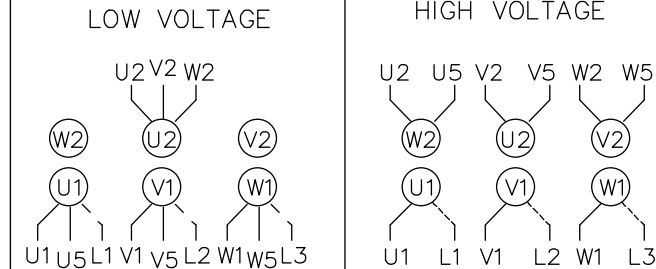


		TOLERANCES UNLESS SPECIFIED		LEESON	ELECTRIC MOTORS GEARMOTORS AND DRIVES	DRAWN			
		DEC.	METRIC			CHK			
		.X	±			ADS 01/31/02			
		.XX	±			APPD			
		.XXX	±	TITLE	METRIC MOTOR OUTLINE, IMB35 IEC-71 FRAME RIGID MOUNT W/B5 FLANGE	SCALE 1=1.5			
		.XXXX	±	MAT'L	ALUMINUM	REF OSVC-300-569			
NO.	REVISION	CHK	ANG ±	FINISH		FMF LEESON STOCK			
		BY & DATE				PREV			
THIS DRAWING IN DESIGN AND DETAIL IS OUR PROPERTY AND MUST NOT BE USED EXCEPT IN CONNECTION WITH OUR WORK ALL RIGHTS OF DESIGN AND INVENTION ARE RESERVED THIS IS AN ELECTRONICALLY GENERATED DOCUMENT - DO NOT SCALE THIS PRINT				RFP	CAD FILE	16986800	SIZE B	DRAWING NO. 169868-00	REV.
				DIST					



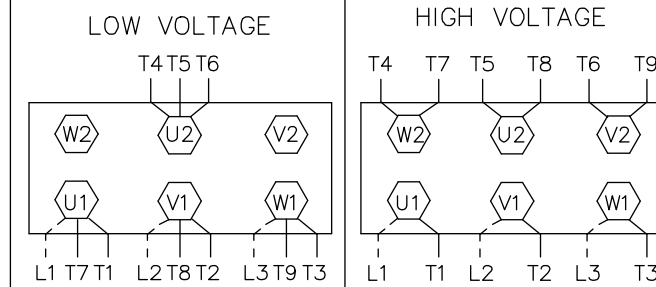
REF. DECAL (IEC) 080644  
REF. DECAL (NEMA) 080446

IEC MARKINGS



LINE VOLTAGE	L1	L2	L3	JOIN		
TERMINAL	U1	V1	W1	W2	U2	V2
LOW	U1,U5	V1,V5	W1,W5	---	U2,V2,W2	---
HIGH	U1	V1	W1	U2,U5	V2,V5	W2,W5

NEMA MARKINGS



LINE VOLTAGE	L1	L2	L3	JOIN		
TERMINAL	U1	V1	W1	W2	U2	V2
LOW	T1, T7	T2, T8	T3, T9	---	T4,T5,T6	---
HIGH	T1	T2	T3	T4, T7	T5, T8	T6, T9

TOLERANCES UNLESS SPECIFIED

DEC.	INCHES
.X	±.1
.XX	±.01
.XXX	±.005
.XXXX	±.0005
ANG	±1/2'



ELECTRIC MOTORS  
GEARMOTORS  
AND DRIVES

DRAWN MGM 12/3/02

CHK

APPD

SCALE 1=1

REF 00537703

FMF

PREV

TITLE EXTERNAL WIRING DIAGRAM  
3 PHASE - DUAL VOLTAGE - W/TERM BLOCK

MAT'L. IEC/NEMA MARKINGS

FINISH THERMAL TRANSFER

NO.	REVISION	BY & DATE	CHK	ANG
01	NEMA LV CONNECTION WAS INCORRECT	RLW 8/4/03		

THIS DRAWING IN DESIGN AND DETAIL IS OUR PROPERTY AND MUST NOT BE USED EXCEPT IN CONNECTION WITH OUR WORK ALL RIGHTS OF DESIGN AND INVENTION ARE RESERVED THIS IS AN ELECTRONICALLY GENERATED DOCUMENT - DO NOT SCALE THIS PRINT

RFP	
DIST	

CAD FILE	00546501
----------	----------

SIZE	DRAWING NO.	REV.
A	005465-01	01



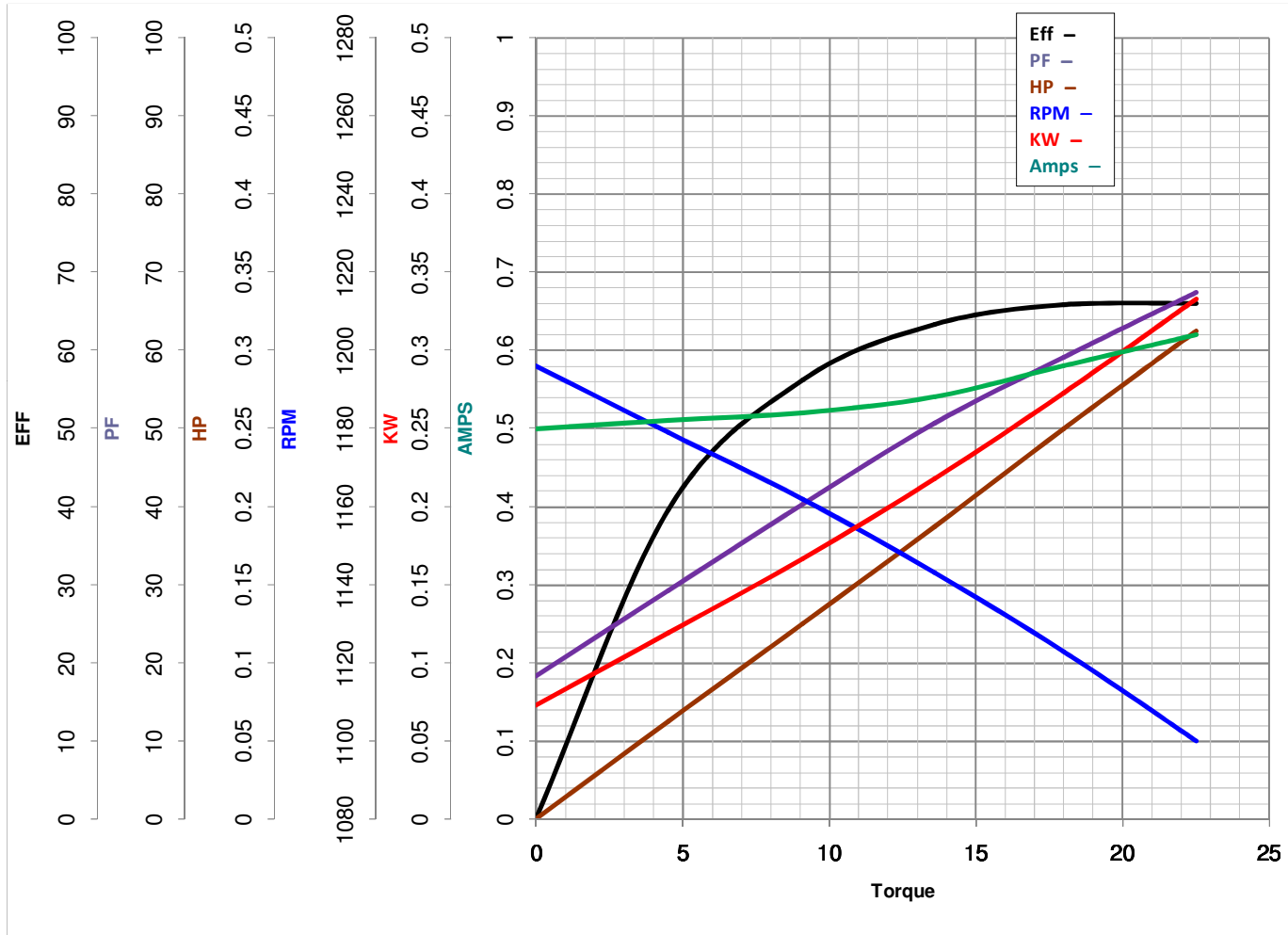
**LEESON ELECTRIC CORPORATION**  
 TYPICAL PERFORMANCE CURVE for AC MOTOR

Model No 192016.00

Catalog No 192016.00

Curve at 460 Volts HP 0.25&0.25 PHASE 3  
60 HZ  
0.25 HP VOLTS 230/460&200/400

HZ 60&50 RPM 1120&900



Torque in Oz.Ft

FL TORQUE 18 Oz.Ft  
 BD TORQUE 46.8 Oz.Ft  
 LR TORQUE 40.5 Oz.Ft

FL AMPS 1.16/58  
 PU TORQUE 38.7 Oz.Ft  
 LR AMPS 1.85

WINDING QT7161-3

Date 6/5/2018