

PRODUCT INFORMATION PACKET



Model No: 110057.00

Catalog No: 110057.00

0.75 HP General Purpose Motor, 1 phase, 1800 RPM, 115/208-230 V, 56C Frame, TEFC
Single Phase TEFC Motors



Regal and Leeson are trademarks of Regal Beloit Corporation or one of its affiliated companies.

©2020 Regal Beloit Corporation, All Rights Reserved. MC017097E

REGAL



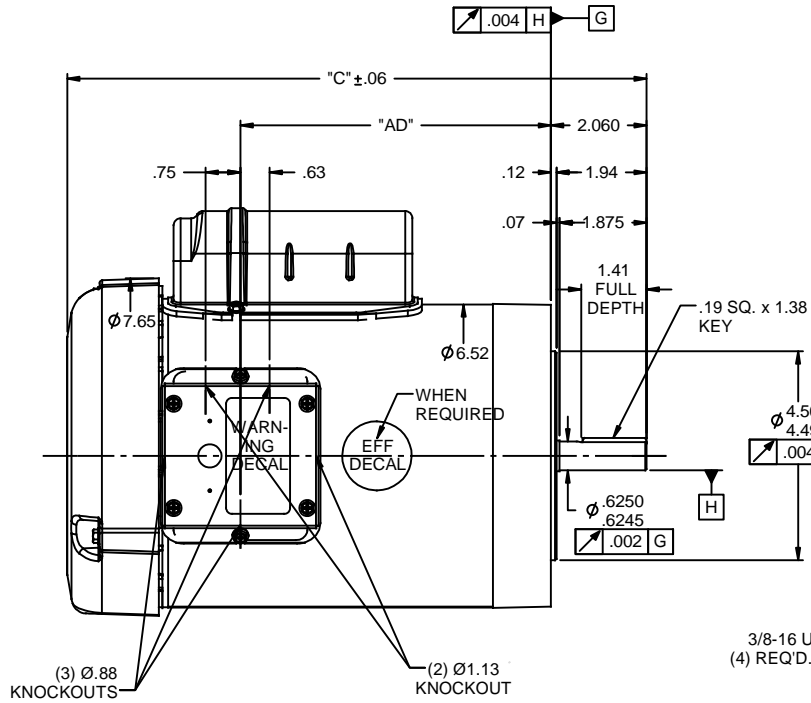
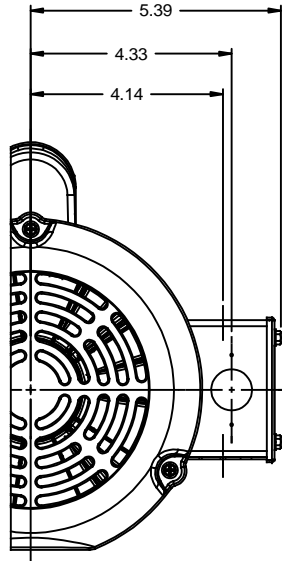
Nameplate Specifications

Output HP	0.75 Hp	Output KW	0.56 kW
Frequency	60 Hz	Voltage	115/208-230 V
Current	10.8/5.4 A	Speed	1725 rpm
Service Factor	1.15	Phase	1
Efficiency	70 %	Power Factor	64
Duty	Continuous	Insulation Class	B
Design Code	L	KVA Code	L
Frame	56C	Enclosure	Totally Enclosed Fan Cooled
Thermal Protection	No	Ambient Temperature	40 °C
Drive End Bearing Size	6203	Opp Drive End Bearing Size	6203
UL	Recognized	CSA	Y
CE	N	IP Code	43

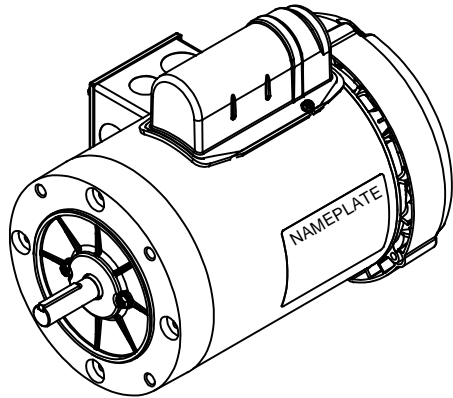
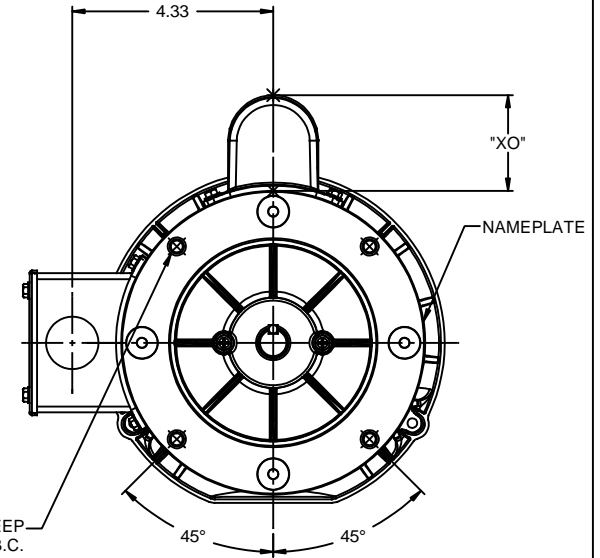
Technical Specifications

Electrical Type	Capacitor Start Induction Run	Starting Method	Across The Line
Poles	4	Rotation	Selective Counterclockwise
Resistance Main	2.6 Ohms	Mounting	Round
Motor Orientation	Horizontal	Drive End Bearing	Ball
Opp Drive End Bearing	Ball	Frame Material	Rolled Steel
Shaft Type	NEMA 56	Overall Length	11.48 in
Frame Length	6.00 in	Shaft Diameter	0.625 in
Shaft Extension	1.88 in	Assembly/Box Mounting	F1 ONLY
Connection Drawing	005005.01	Outline Drawing	028854-600B

This is an uncontrolled document once printed or downloaded and is subject to change without notice. Date Created:14/10/2020



3/8-16 UNC-2B x .56 DEEP
 (4) REQD. ON A Ø5.875 B.C.

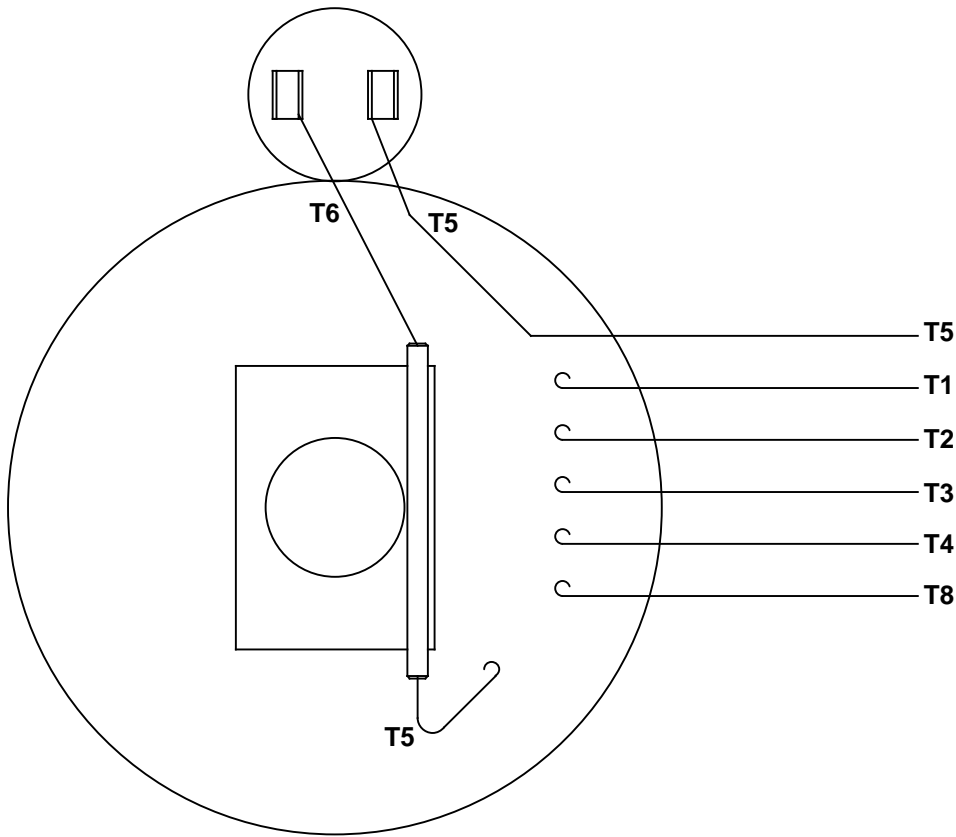


NOTES:
 1) GASKETS THROUGHOUT

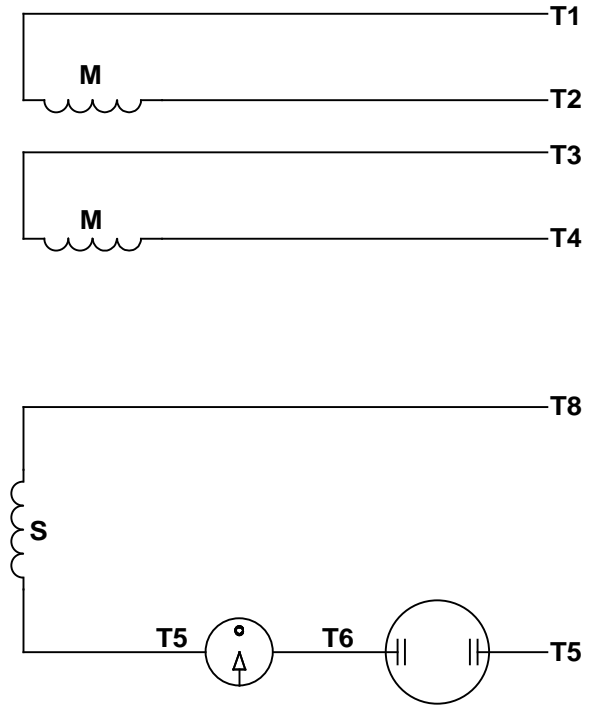
DASH NO.	"C"	"AD"	CAP DASH XO	
500	10.48	4.69	A	1.61
550	10.98	5.19	B	2.08
600	11.48	5.69	C	2.32
650	11.98	6.19		
700	12.48	6.69		
750	12.98	7.19		
800	13.48	7.69		
850	13.98	8.19		

TOLERANCES UNLESS SPECIFIED		INCHES		TITLE	ELECTRIC MOTORS GEARMOTORS AND DRIVES	DRAWN GRB 07/17/2008
DEC		XX	±.03			
X		XXX	±.005	TEFC - "C" FACE		APPR
		XXXX	±.0005			SCALE 3:8
02	ADDED ISOMETRIC VIEW AS PER ISAAC #08-4017	GRB 9/5/2008	DJ			REF 028852
01	ADDED "XO" DIMENSION	SRS 8/28/2008				FMF 110419.00
NO	REVISION	BY & DATE	CHK ANG ±1/2°	FINISH		PAGE OF
			RFP 07/17/2008	PREV		
	THIRD ANGLE PROJECTION				SIZE B	DRAWING NO 028854
			NETWORK FILE NAME 028854			REV 02

VIEW FROM OUTSIDE OF MOTOR AT SWITCH END.



LINE LEADS



RBC PROPRIETARY AND CONFIDENTIAL INFORMATION
 This document is the property of REGAL BELOIT CORPORATION ("RBC") including its subsidiaries and divisions and contains proprietary information of RBC. This document is loaned on the express condition that neither it nor the information contained therein shall be disclosed to others without the express written consent of RBC, and that the information shall be used by the recipient only as approved expressly by RBC. This document shall be returned to RBC upon its request. This document may be subject to certain restrictions under U.S. export control laws and regulations.

	ROTATION FACING LEAD END	L1	L2	JOIN
HIGH VOLT	C.C.W.	T1	T4, T5	T2, T3, T8
	C.W.	T1	T4, T8	T2, T3, T5
LOW VOLT	C.C.W.	T1, T3, T8	T2, T4, T5	-----
	C.W.	T1, T3, T5	T2, T4, T8	-----

--	REDRAWN IN SOLIDWORKS	VJB 02/16/11	TOLERANCES UNLESS SPECIFIED			ELECTRIC MOTORS GEARMOTORS AND DRIVES	DRAWN ADH 08/06/73
27	UPDATED TO CURRENT STANDARDS	DBT 05/27/97	DEC	INCHES			CHK
26	ADDED PAGE 32 (114787) & PAGE 33 (114788)	KAZ 12/20/95	PG	.X ±.1			APPR JCW 03/09/79
25	ADDED PAGE 31	KAZ 04/19/95	DL	.XX ±.01	TITLE EXTERNAL WIRING DIAGRAM		SCALE 1:1
24	ADDED PAGES 29 & 30	KMM 03/30/95	DL	.XXX ±.005	TYPE "C" W/O PROTECTOR		REF FIG 2-23 C4A
23	ADDED PAGE 28	KMM 01/27/95		.XXXX ±.0005	MAT'L DECAL - 004012		FMF MGI-2.4B
NO	REVISION	BY & DATE	CHK	ANG ±1/2°	FINISH		PAGE OF
THIRD ANGLE PROJECTION			RFP	PREV	SIZE	DRAWING NO	REV
			NETWORK FILE NAME 00500501		A	005005-01	--



1051 CHEYENNE AVE.
 GRAFTON, WI 53024
 PH. 262-377-8810

CERTIFICATION DATA SHEET

CATALOG #: 110057.00

CONN. DIAGRAM: 005005.01

OUTLINE: 028854-600B

MOUNTING: F1 ONLY

WINDING #: C634258 FR 3 A

TYPICAL MOTOR PERFORMANCE DATA

HP	KW	SYNC. RPM	F.L. RPM	FRAME	ENCLOSURE	KVA CODE	DESIGN
3/4	0.56	1800	1725	56C	TEFC	L	L

PH	Hz	VOLTS	AMPS	START TYPE	DUTY	INSL	S.F.	AMB°C
1	60	115/208-230	10.8/5.4	ACROSS THE LINE	CONTINUOUS	B4	1.15	40

FULL LOAD EFF:	70	3/4 LOAD EFF:	67.8	1/2 LOAD EFF:	61.3	GTD. EFF	ELEC. TYPE
FULL LOAD PF:	64	3/4 LOAD PF:	55.3	1/2 LOAD PF:	44.6	66	CAP START IND RUN

F.L. TORQUE	LOCKED ROTOR AMPS	L.R. TORQUE	B.D. TORQUE	F.L. RISE°C
35.94 OZ-FT	60.2 / 30.1	114.48 OZ-FT	98.47 OZ-FT	78

SOUND PRESSURE @ 3 FT.	SOUND POWER	ROTOR WK^2	MAX. WK^2	SAFE STALL TIME	STARTS / HOUR	APPROX. MOTOR WGT
54 DBA	64 DBA	0.08 LB-FT^2	0 LB-FT^2	10 SEC.	0	28 LBS.

*** SUPPLEMENTAL INFORMATION ***

DE BRACKET TYPE	ODE BRACKET TYPE	MOUNT TYPE	ORIENTATION	SEVERE DUTY	HAZARDOUS LOCATION	DRIP COVER	SCREENS	PAINT
C-FACE	STANDARD	ROUND	HORIZONTAL	FALSE	NONE	FALSE	NONE	BLUE - LEESON (ENAMEL)

BEARINGS DE ODE	GREASE	SHAFT TYPE	SPECIAL DE	SPECIAL ODE	SHAFT MATERIAL	FRAME MATERIAL
BALL BALL	POLYREX EM	STANDARD 56	NONE	NONE	1144 STRESSPROOF (C-223)	ROLLED STEEL

THERMO-PROTECTORS				THERMISTORS	CONTROL	SPACE HEATERS
THERMOSTATS	PROTECTORS	WDG RTDS	BRG RTDS	NONE	FALSE	NONE
NONE	NOT	NONE	NONE	NONE	FALSE	NONE

*

INVERTER TORQUE: NONE
 INV. HP SPEED RANGE: NONE

ENCODER: NONE
 NONE NONE
 NONE NONE PPR

BRAKE: NONE NONE
 NONE P/N NONE
 NONE NONE
 NONE FT-LB NONE V NONE HZ

S

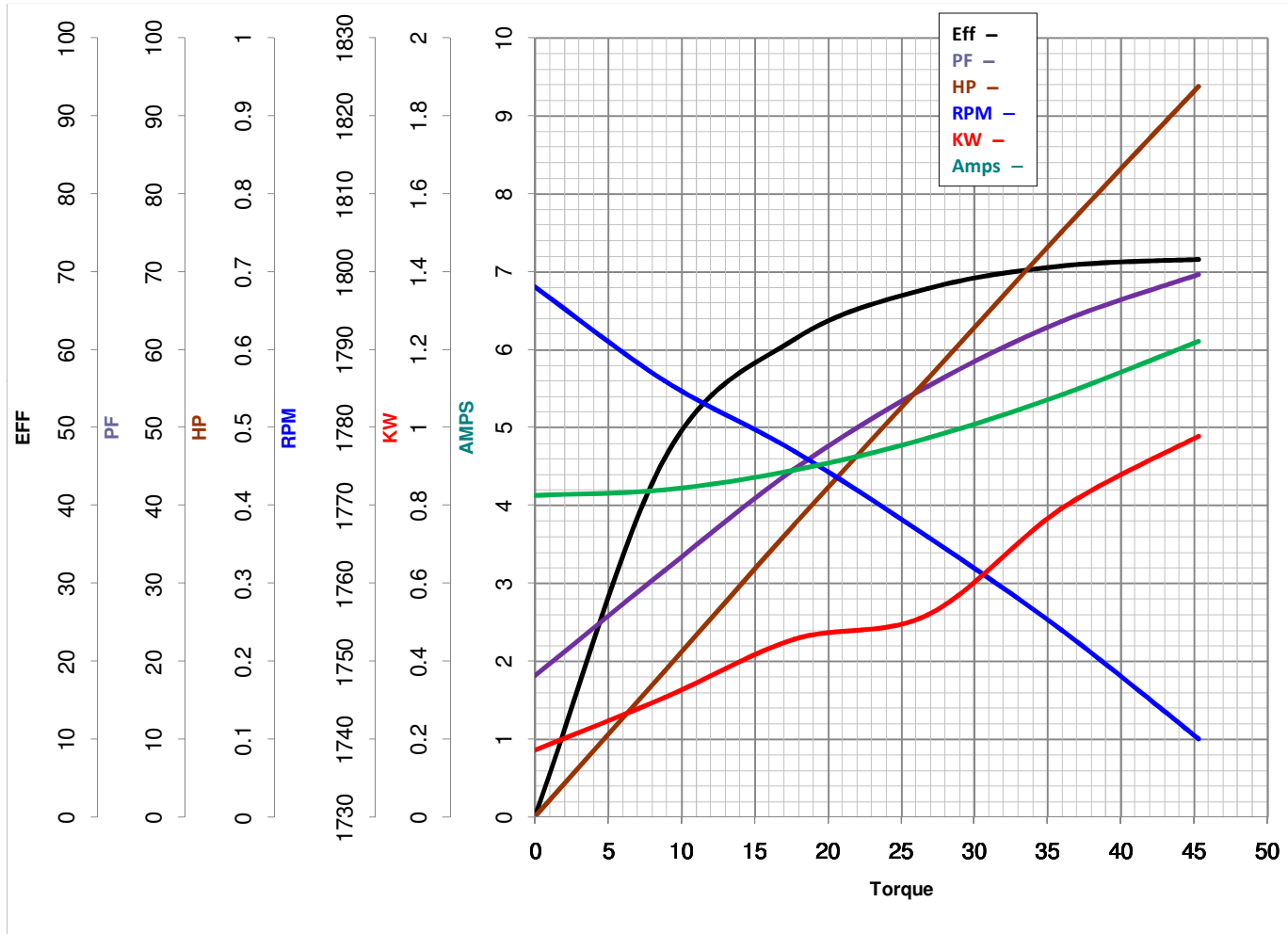


LEESON ELECTRIC CORPORATION
 TYPICAL PERFORMANCE CURVE for AC MOTOR

Model No 110057.00

Catalog No 110057.00

Curve at 230 Volts HP 0.76 PHASE 1
60 HZ
0.75 HP VOLTS 115/208-230
 HZ 60 RPM 1725



Torque in Oz.Ft

FL TORQUE 35.94 Oz.Ft
 BD TORQUE 98.5 Oz.Ft
 LR TORQUE 114.5 Oz.Ft

FL AMPS 10.8/5.4
 PU TORQUE 84.2 Oz.Ft
 LR AMPS 30.1

WINDING C634258-3

Date 4/11/2018