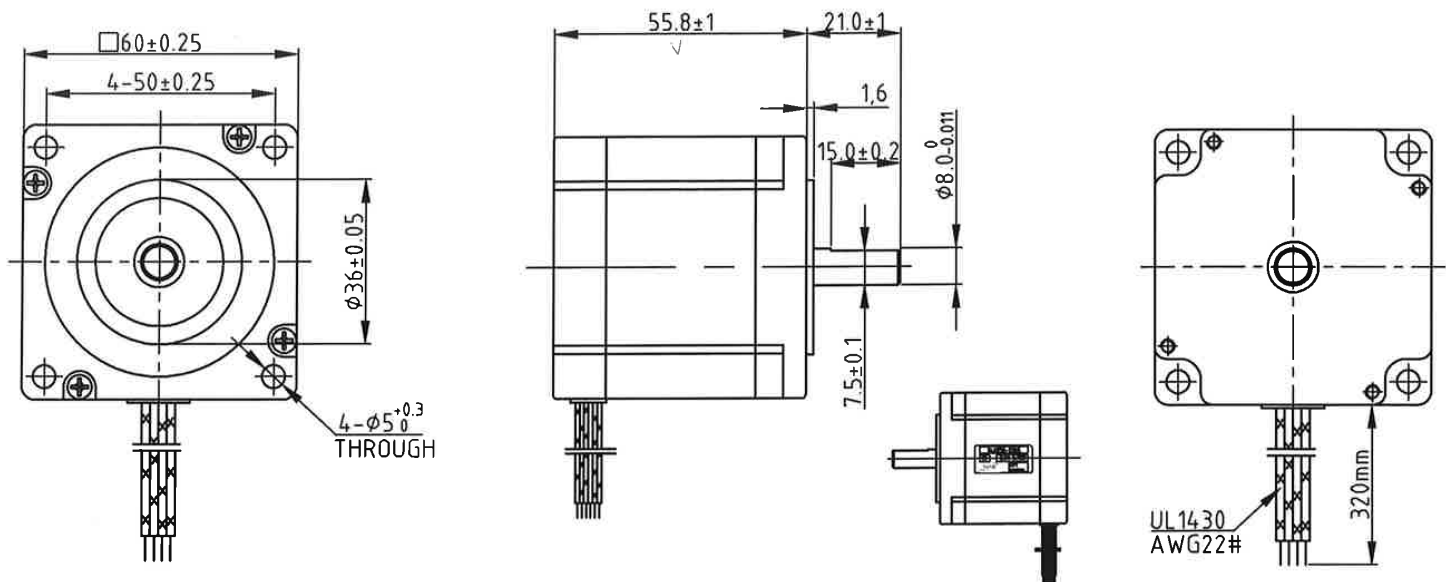
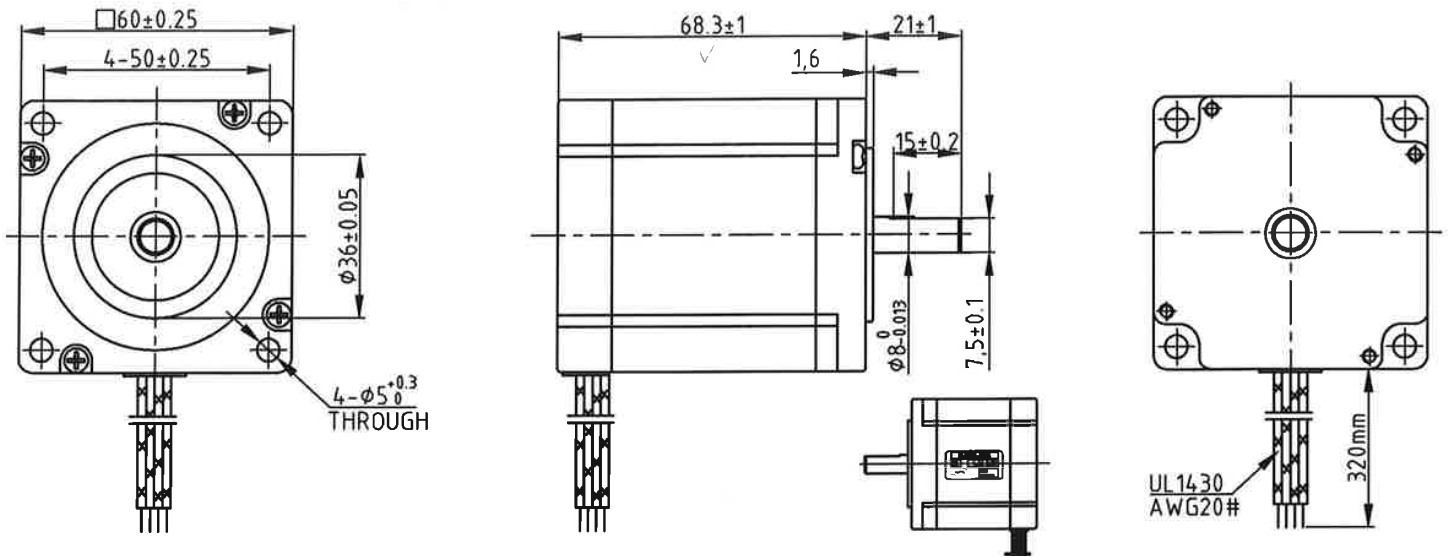


| | Single Stack | Double Stack | Triple Stack | Encoder Model |
|-------------------------------|-------------------------|-------------------------|-------------------------|--------------------|
| Specifications | PJE60T-56F14 | PJE60T-68N14 | PJE60T-85R14 | PJE60T-85R14-E1000 |
| Number of Phases | 2 | | | |
| Basic Step Angle | 1.8° | | | |
| Positional Accuracy (no load) | ±0.09° Max | | | |
| Rated Current/Phase | 3.0A | 4.0A | 5.0A | |
| Resistance/Phase @ 20°C | 0.75Ω ± 10% | 0.6Ω ± 10% | 0.43Ω ± 10% | |
| Inductance/Phase @ 1KHz, 1V | 2.28mH ± 20% | 1.9mH ± 20% | 1.7mH ± 20% | |
| Holding Torque | 1.28N · m | 2.2N · m | 3.0N · m | |
| Rotor Inertia | ~340g · cm ² | ~490g · cm ² | ~690g · cm ² | |
| Mass | ~0.8Kg | ~1.0Kg | ~1.3Kg | |
| Radial Play (Max) | 0.025mm (Load/450g) | | | |
| Axial Play (Max) | 0.075mm (Load/920g) | | | |
| Duty | Continuous | | | |
| Dielectric Strength | 500V A.C. | | | |
| Insulation Resistance | 100MΩ/Min | | | |
| Insulation Class (UL) | B | | | |
| Temperature Rise | 80K/Max | | | |
| Life (Hours) | 5000/Min | | | |
| Operation Ambient Temperature | 0°C ~ +50°C | | | |
| Operation Ambient Humidity | 20% RH ~ 90% RH | | | |
| Storage Ambient Temperature | -20°C ~ +70°C | | | |
| Storage Ambient Humidity | 15% RH ~ 95% RH | | | |

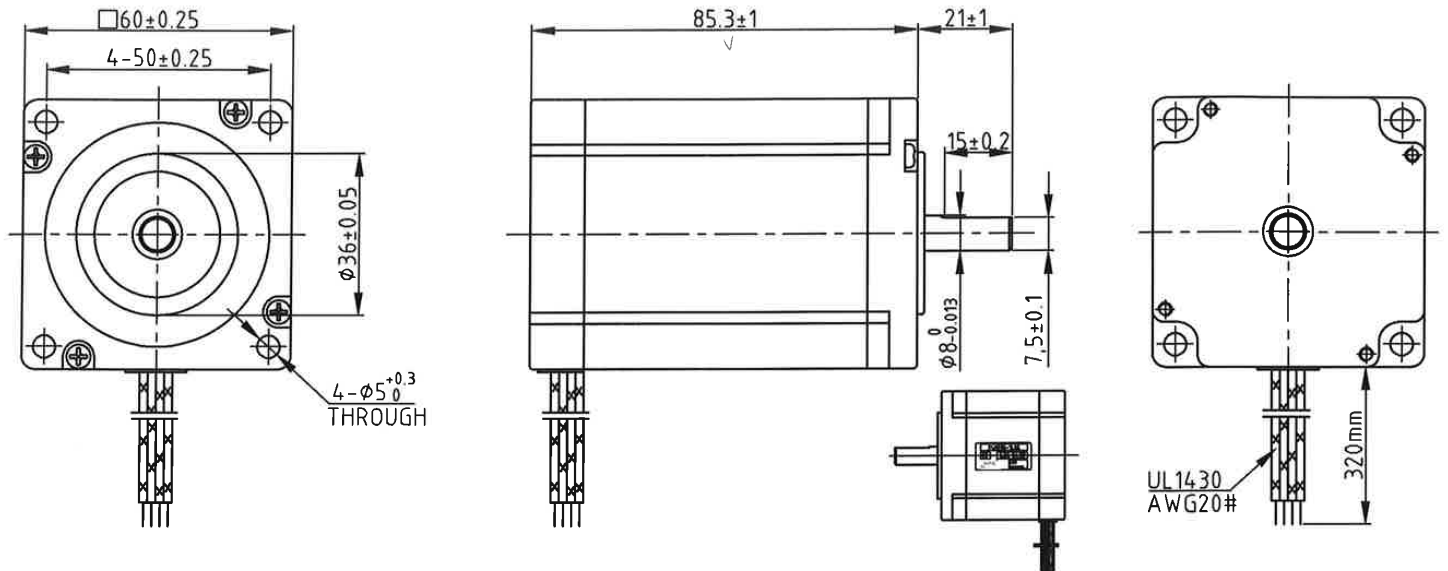
PJE60T-56F14 Dimensions (mm)



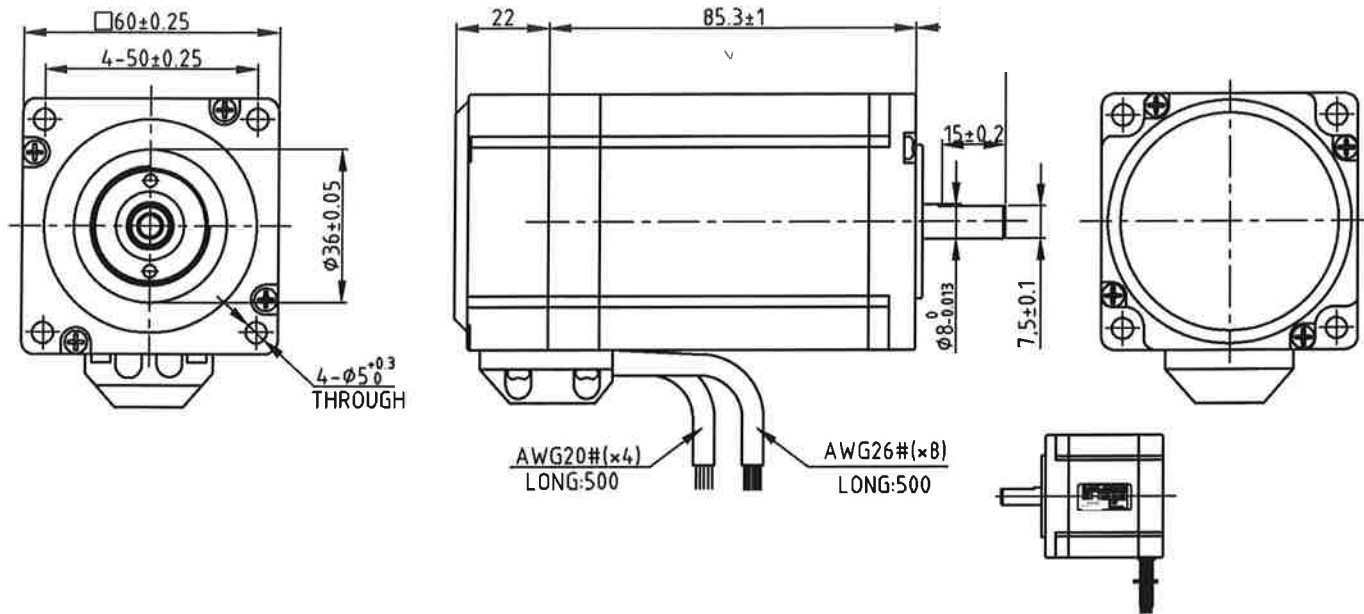
PJE60T-68N14 Dimensions (mm)



PJE60T-85R14 Dimensions (mm)



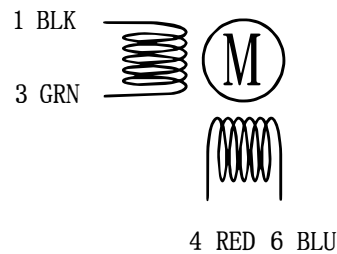
PJE60T-85R14-E1000 Dimensions (mm)



Phase Sequence (2 Phase Exciting)

| | Step | A | B | \bar{A} | \bar{B} | |
|---------|------|---|---|-----------|-----------|----------|
| CW ↓ | 1 | + | + | - | - | ↑ CCW |
| | 2 | - | + | + | - | |
| | 3 | - | - | + | + | |
| | 4 | + | - | - | + | |
| | 1 | + | + | - | - | |

Wiring Diagram



Encoder Control (1000CPR)

| | |
|--------------|-------|
| Black | GND |
| Red | +5VCC |
| Blue/White | EA- |
| Blue | EA+ |
| Orange/White | EB- |
| Orange | EB+ |