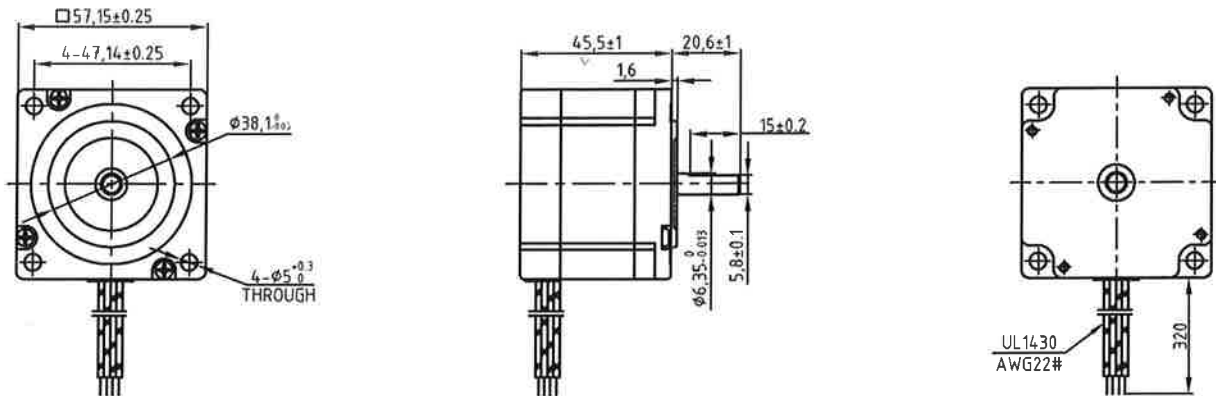
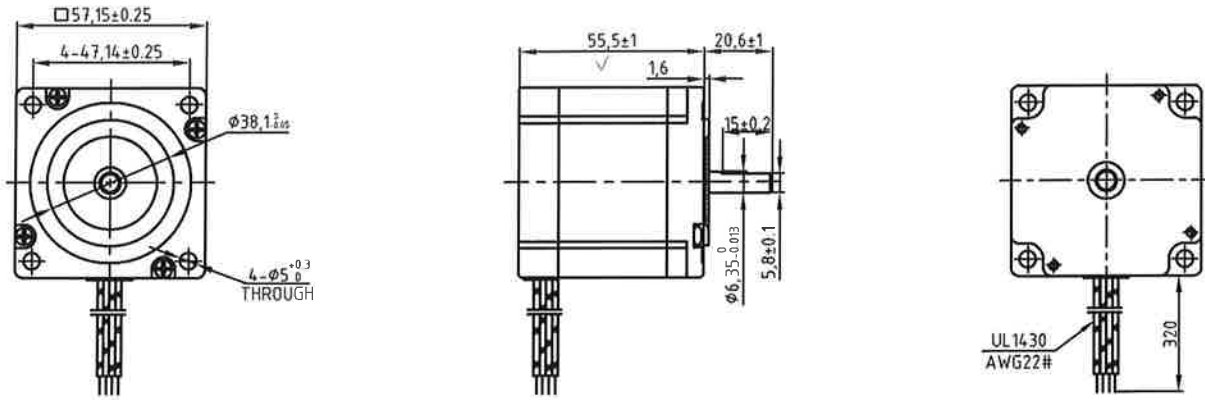


	Single Stack	Encoder Model	Double Stack	Triple Stack	Encoder Model
Specifications	PJE57T-46F14	PJE57T-56N14-E1000	PJE57T-56N14	PJE57T-77R14	PJE57T-77R14-E1000
Number of Phases	2				
Basic Step Angle	1.8°				
Positional Accuracy (no load)	±0.09° Max				
Rated Current/Phase	3.0A	4.0A		5.0A	
Resistance/Phase @ 20°C	0.57Ω ± 10%	0.44Ω ± 10%		0.4Ω ± 10%	
Inductance/Phase @ 1KHz, 1V	124mH ± 20%	14mH ± 20%		1.8mH ± 20%	
Holding Torque	0.8N · m	1.2N · m		2.0N · m	
Rotor Inertia	~180g · cm ²	~280g · cm ²		~480g · cm ²	
Mass	~0.52Kg	~0.72Kg		~1.06Kg	
Radial Play (Max)	0.025mm (Load/450g)				
Axial Play (Max)	0.075mm (Load/920g)	0.005mm (Load/920g)	0.075mm (Load/920g)		
Duty	Continuous				
Dielectric Strength	500V A.C.				
Insulation Resistance	100MΩ/Min				
Insulation Class (UL)	B				
Temperature Rise	80K/Max				
Life (Hours)	5000/Min				
Operation Ambient Temperature	0°C ~ +50°C				
Operation Ambient Humidity	20% RH ~ 90% RH				
Storage Ambient Temperature	-20°C ~ +70°C				
Storage Ambient Humidity	15% RH ~ 95% RH				

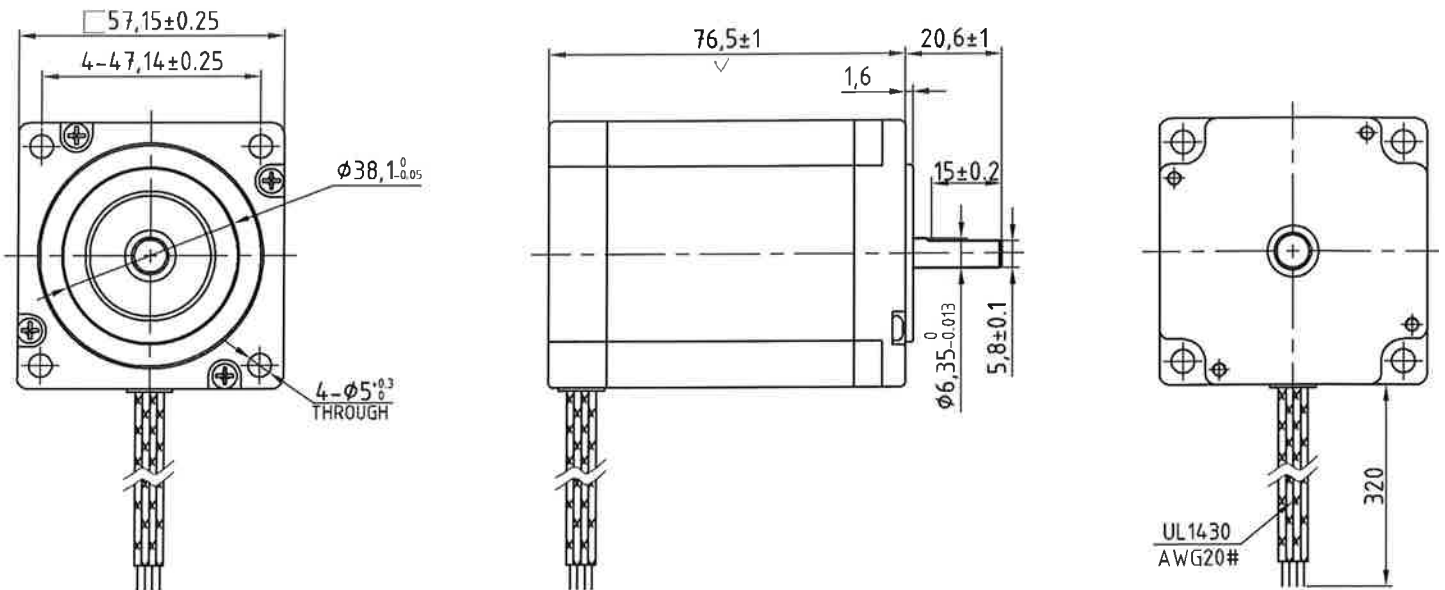
PJE57T-46F14 Dimensions (mm)



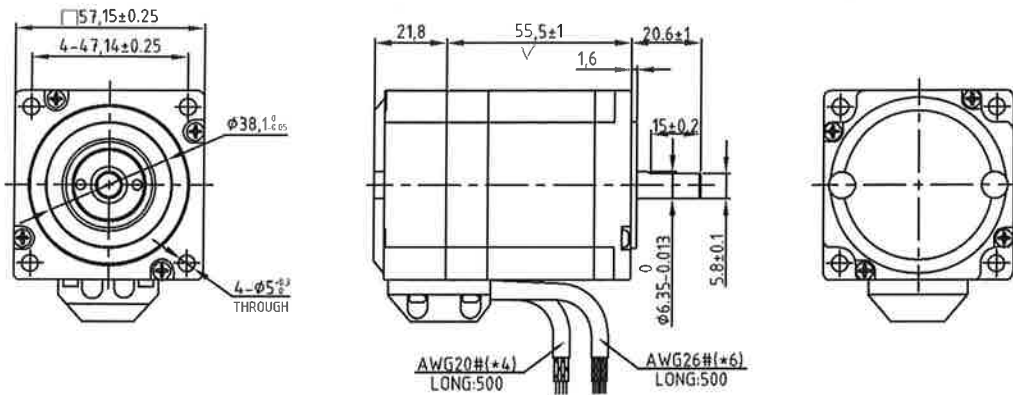
PJE57T-56N14 Dimensions (mm)



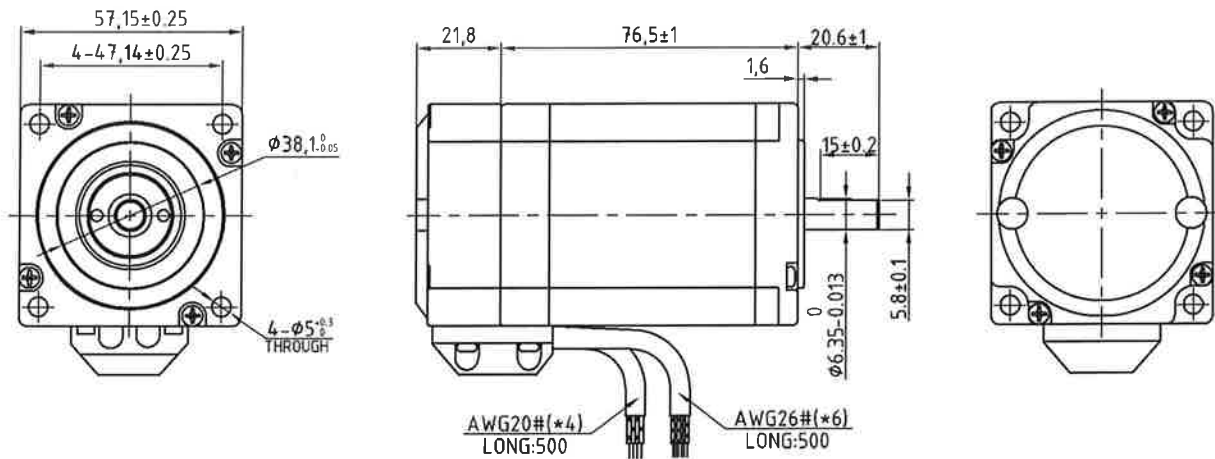
PJE57T-77R14 Dimensions (mm)



PJE57T-56N14-E1000 Dimensions (mm)



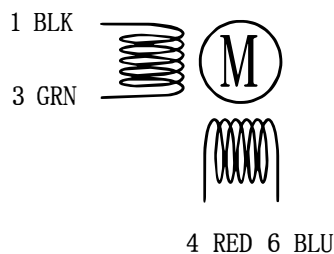
PJE57T-77R14-E1000 Dimensions (mm)



Phase Sequence (2 Phase Exciting)

CW	Step	A	B	\bar{A}	\bar{B}	CCW
↓	1	+	+	-	-	↑
	2	-	+	+	-	
	3	-	-	+	+	
	4	+	-	-	+	
	1	+	+	-	-	

Wiring Diagram



Encoder Control (1000CPR)

Black	GND
Red	+5VCC
Blue/White	EA-
Blue	EA+
Orange/White	EB-
Orange	EB+

Connector Option for Encoder Model (to connect to TITAN-SVX-ETH) – PJE57T-XXXXX-E1000-SVX

