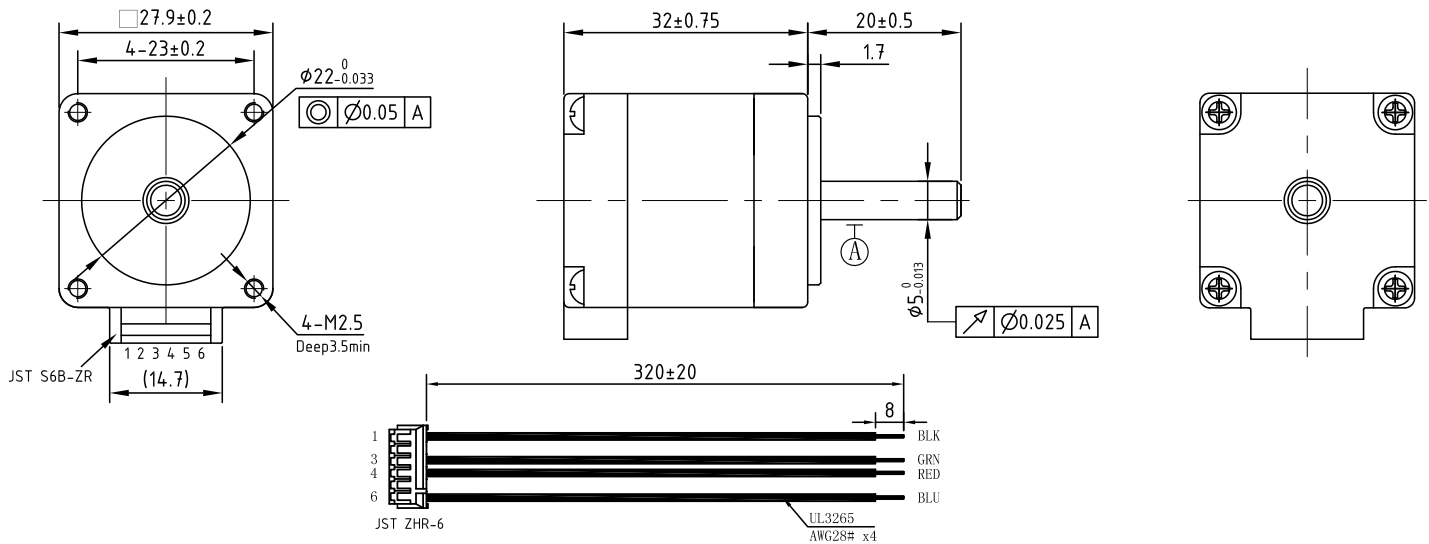
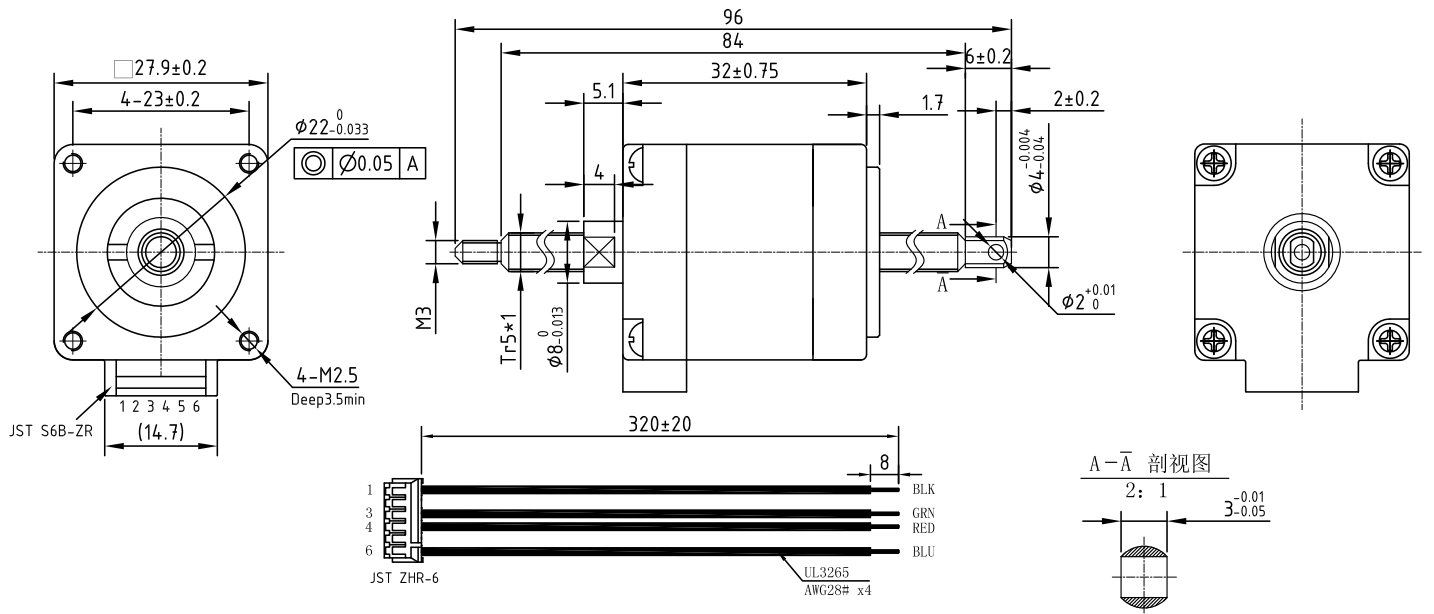


	Single Stack Model	Linear Model	Double Stack Model	Triple Stack Model
Specifications	PJE28T-32E14	PJEL28-32E4 (100)	PJE28T-40E14	PJE28T-51E14
Number of Phases	2			
Basic Step Angle	1.8°			
Positional Accuracy (no load)	±0.09° Max			
Rated Current/Phase	0.95A			
Resistance/Phase @ 20°C	3.03Ω ± 10%		3.9Ω ± 10%	4.6Ω ± 10%
Inductance/Phase @ 1KHz	2.4mH ± 20%		2.9mH ± 20%	2.6mH ± 20%
Holding Torque	0.08N · m		0.12N · m	
Rotor Inertia	~4g · cm ²			
Mass	~0.06Kg			
Radial Play (Max)	0.025mm (Load/450g)			
Axial Play (Max)	0.075mm (Load/920g)	0.005mm (Load/920g)	0.075mm (Load/920g)	
Duty	Continuous			
Dielectric Strength	500V A.C.			
Insulation Resistance	100MΩ/Min			
Insulation Class (UL)	B			
Temperature Rise	80K/Max			
Life (Hours)	5000/Min			
Operation Ambient Temperature	0°C ~ +50°C			
Operation Ambient Humidity	20% RH ~ 90% RH			
Storage Ambient Temperature	-20°C ~ +70°C			
Storage Ambient Humidity	15% RH ~ 95% RH			

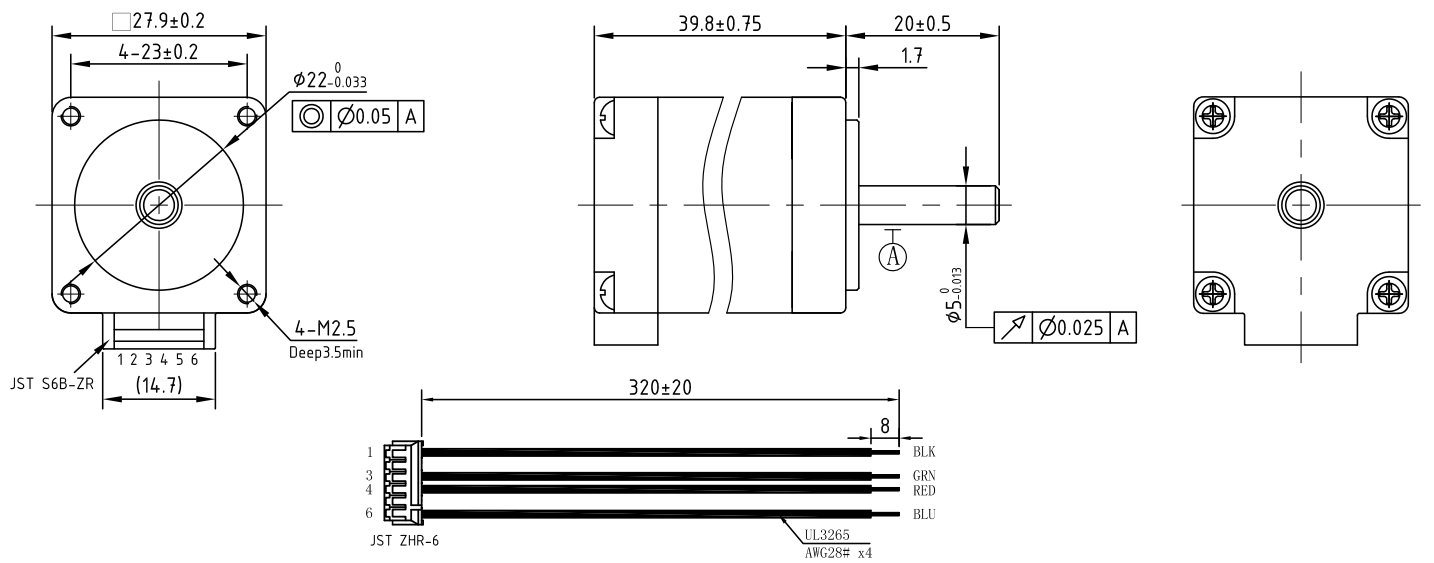
Single Stack Dimensions (mm)



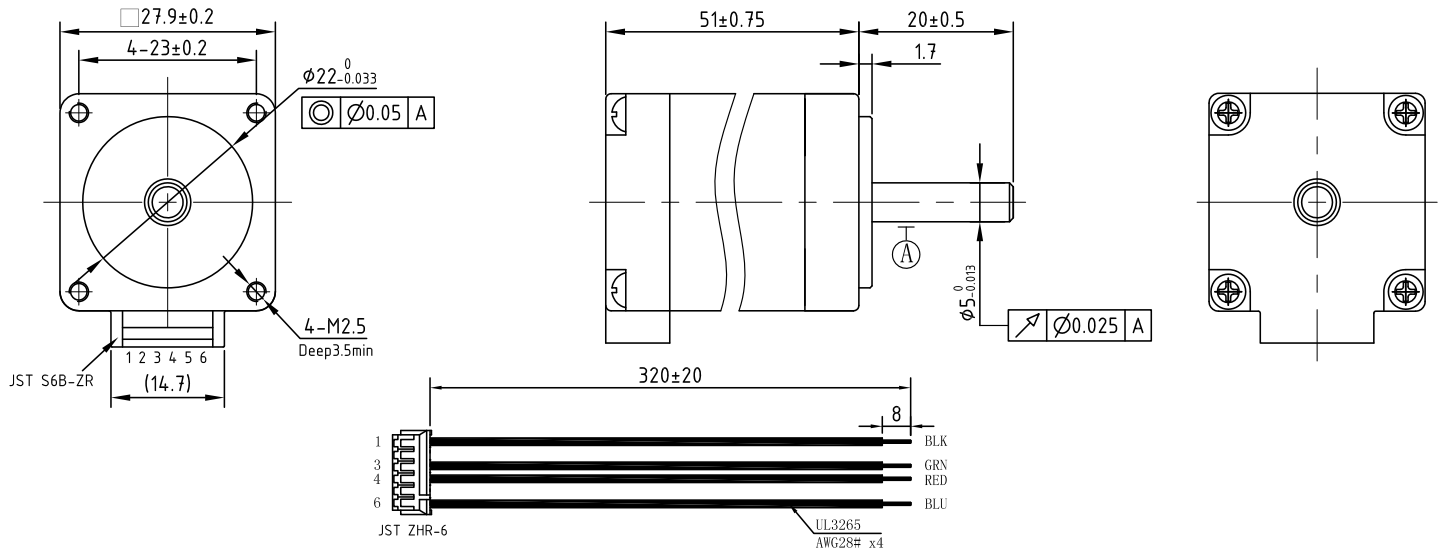
Linear Model Dimensions (mm)



Double Stack Dimensions (mm)



Triple Stack Dimensions (mm)



Phase Sequence (2 Phase Exciting)

	Step	A	B	\bar{A}	\bar{B}	
CW ↓	1	+	+	-	-	↑ CCW
	2	-	+	+	-	
	3	-	-	+	+	
	4	+	-	-	+	
	1	+	+	-	-	

Wiring Diagram

