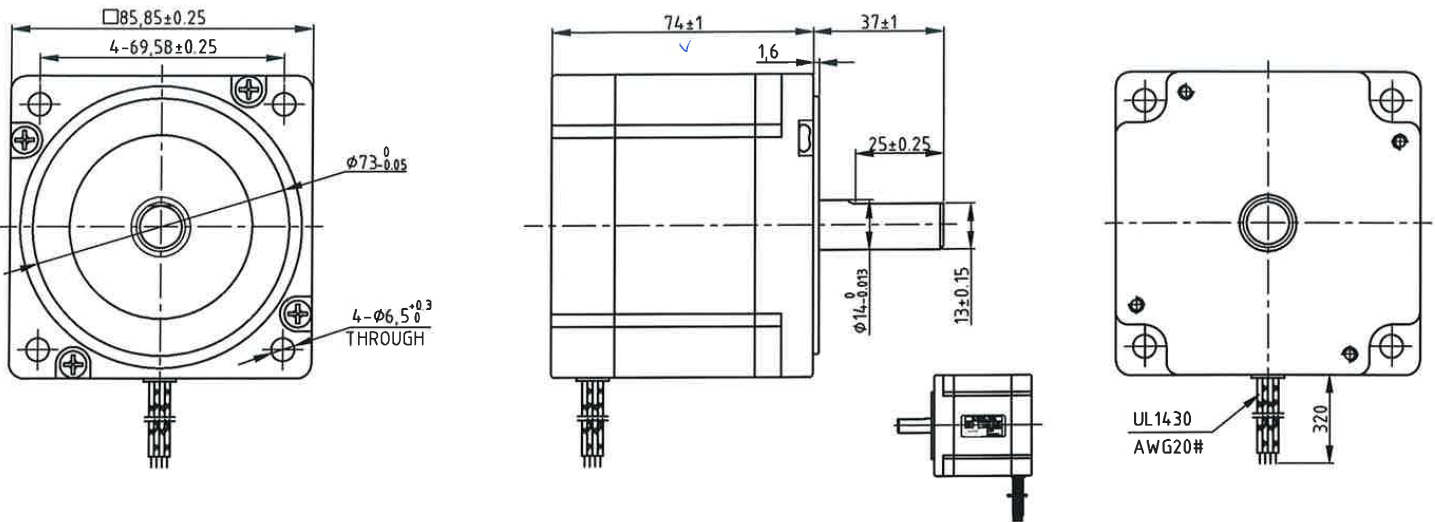
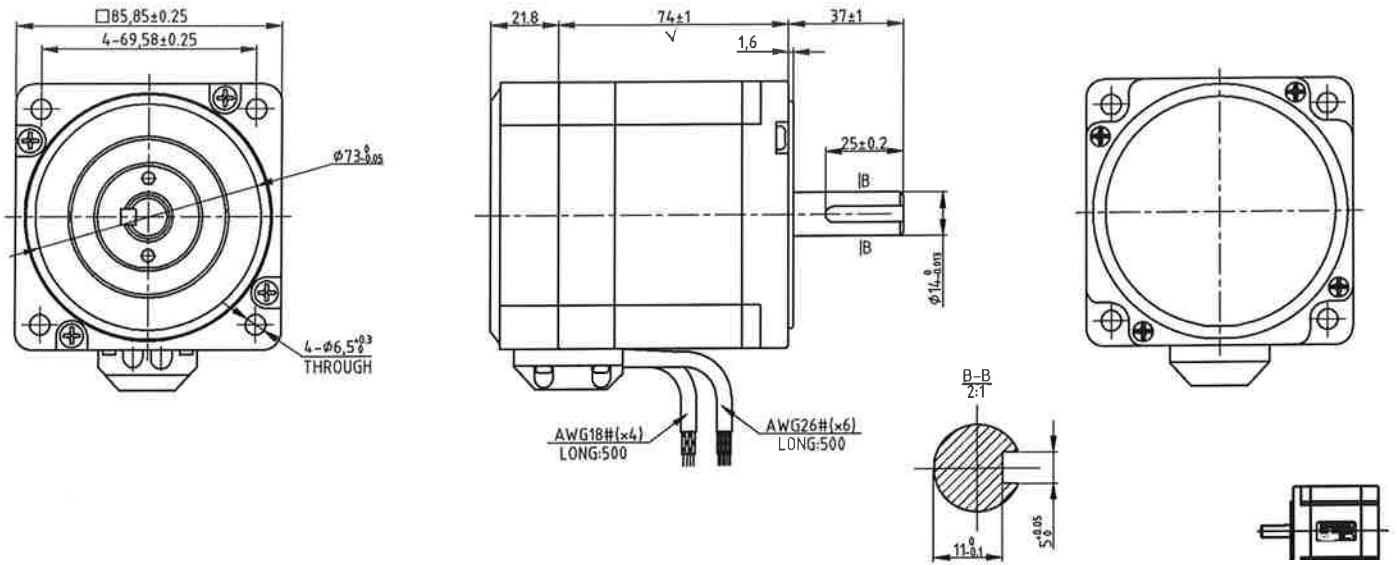


	Single Stack	Encoder Model	Double Stack	Encoder Model
Specifications	PJE86T-74H14	PJE86T-74J14-E1000	PJE86T-112J14	PJE86T-112J14-E1000
Number of Phases	2			
Basic Step Angle	1.8°			
Positional Accuracy (no load)	±0.09° Max			
Rated Current/Phase	4.5A	6.0A		
Resistance/Phase @ 20°C	0.6Ω ± 10%	0.34Ω ± 10%	0.52Ω ± 10%	
Inductance/Phase @ 1KHz, 1V	4.5mH ± 20%	2.7mH ± 20%	4.8mH ± 20%	
Holding Torque	4.5N · m		8.2N · m	
Rotor Inertia	~1.8Kg · cm ²		~3.6Kg · cm ²	
Mass	~2.1Kg		~3.6Kg	
Radial Play (Max)	0.025mm (Load/450g)			
Axial Play (Max)	0.075mm (Load/920g)	0.005mm (Load/920g)	0.075mm (Load/920g)	0.005mm (Load/920g)
Duty	Continuous			
Dielectric Strength	500V A.C.			
Insulation Resistance	100MΩ/Min			
Insulation Class (UL)	B			
Temperature Rise	80K/Max			
Life (Hours)	5000/Min			
Operation Ambient Temperature	0°C ~ +50°C			
Operation Ambient Humidity	20% RH ~ 90% RH			
Storage Ambient Temperature	-20°C ~ +70°C			
Storage Ambient Humidity	15% RH ~ 95% RH			

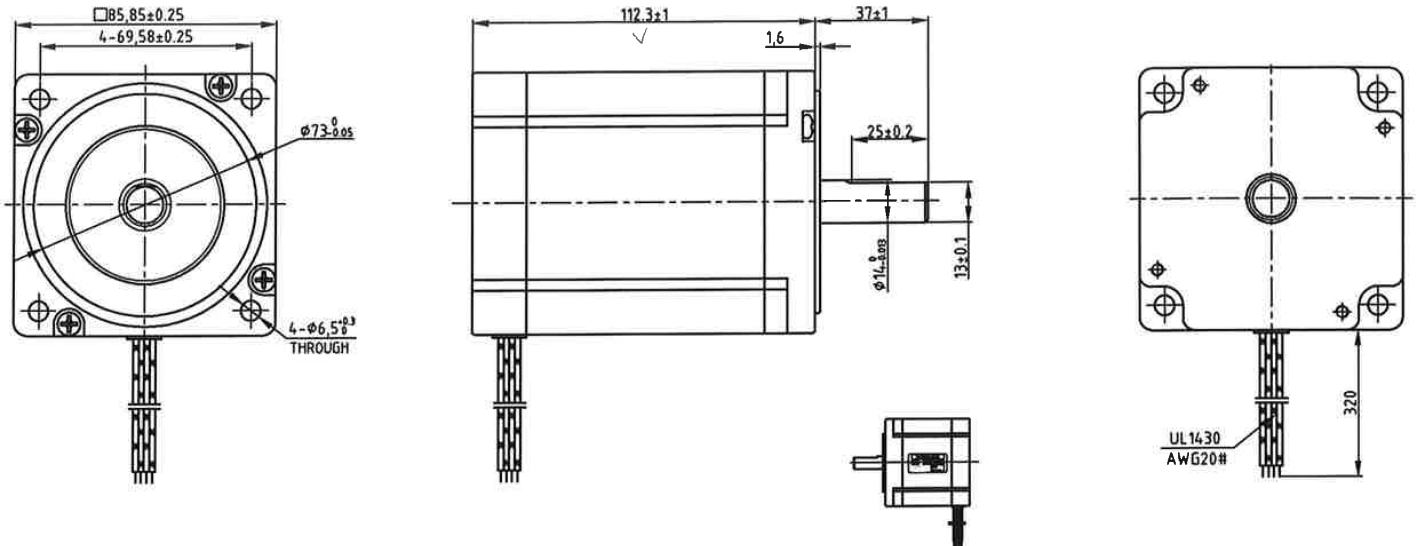
PJE86T-74H14 Dimensions (mm)



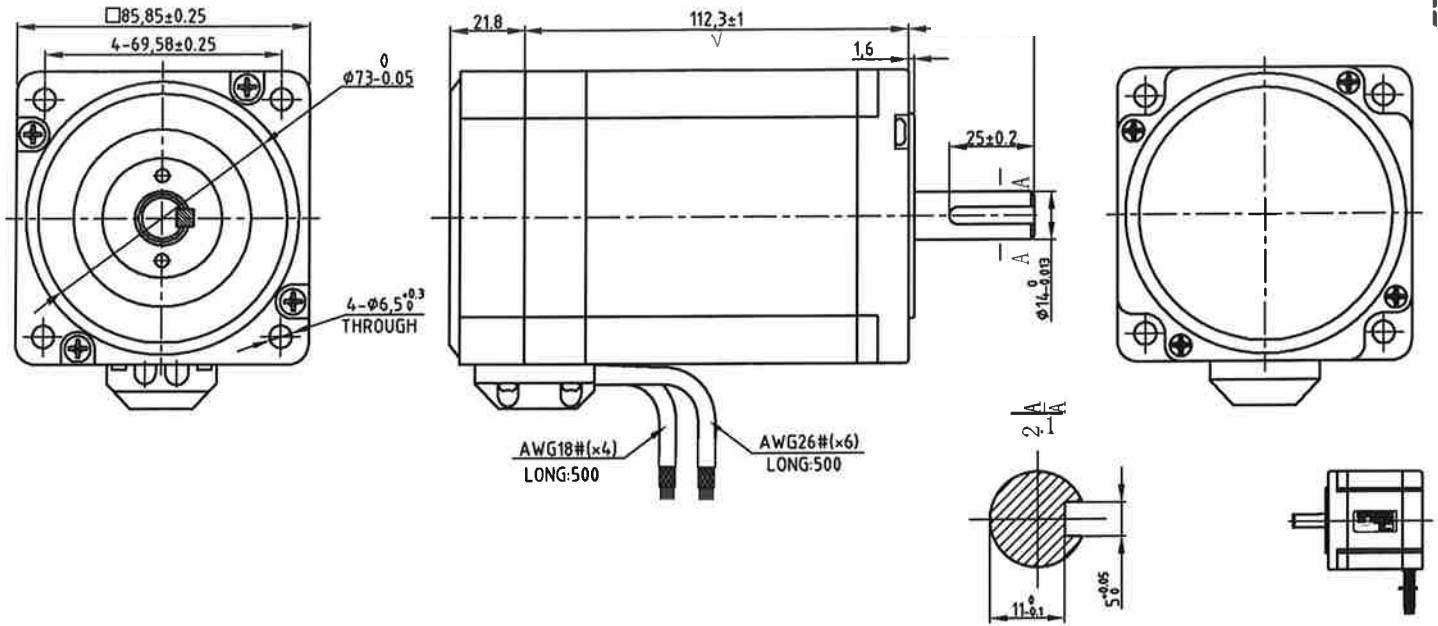
PJE86T-74J14-E1000 Dimensions (mm)



PJE86T-112J14 Dimensions (mm)



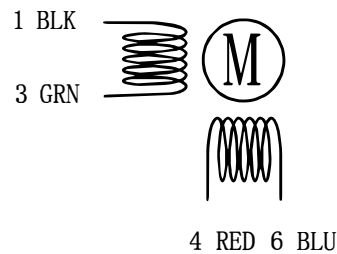
PJE86T-112J14-E1000 Dimensions (mm)



Phase Sequence (2 Phase Exciting)

CW	Step	A	B	\bar{A}	\bar{B}	CCW
↓	1	+	+	-	-	↑
	2	-	+	+	-	
	3	-	-	+	+	
	4	+	-	-	+	
	1	+	+	-	-	

Wiring Diagram



Encoder Control (1000CPR)

Black	GND
Red	+5VCC
Blue/White	EA-
Blue	EA+
Orange/White	EB-
Orange	EB+