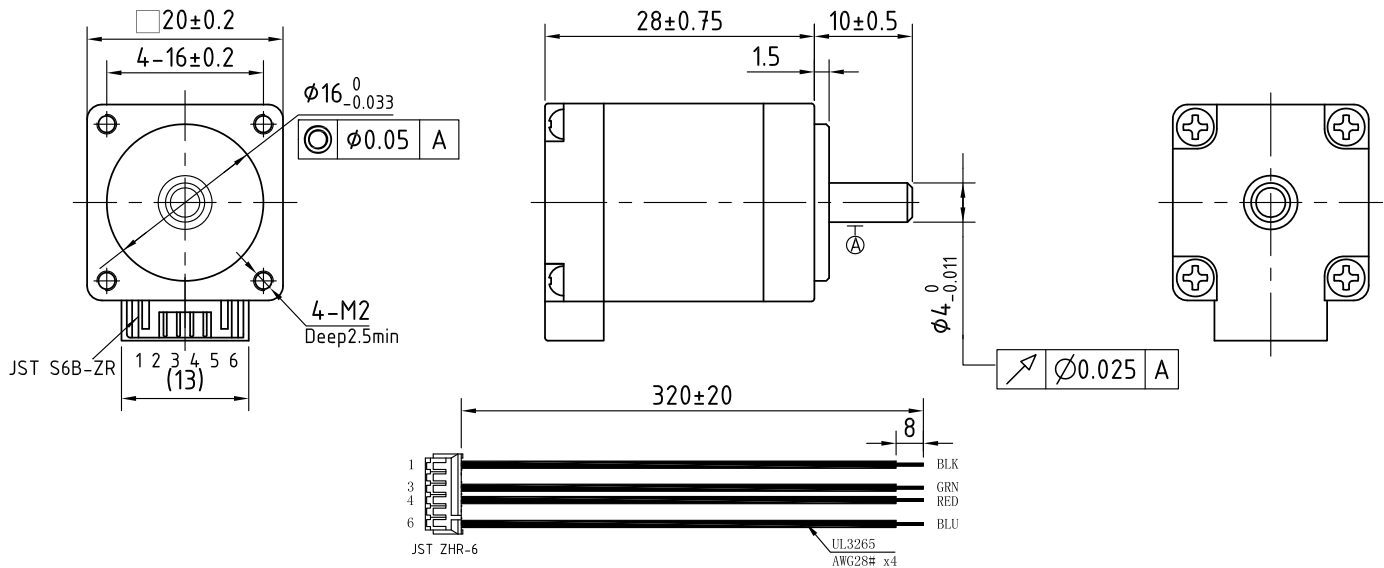
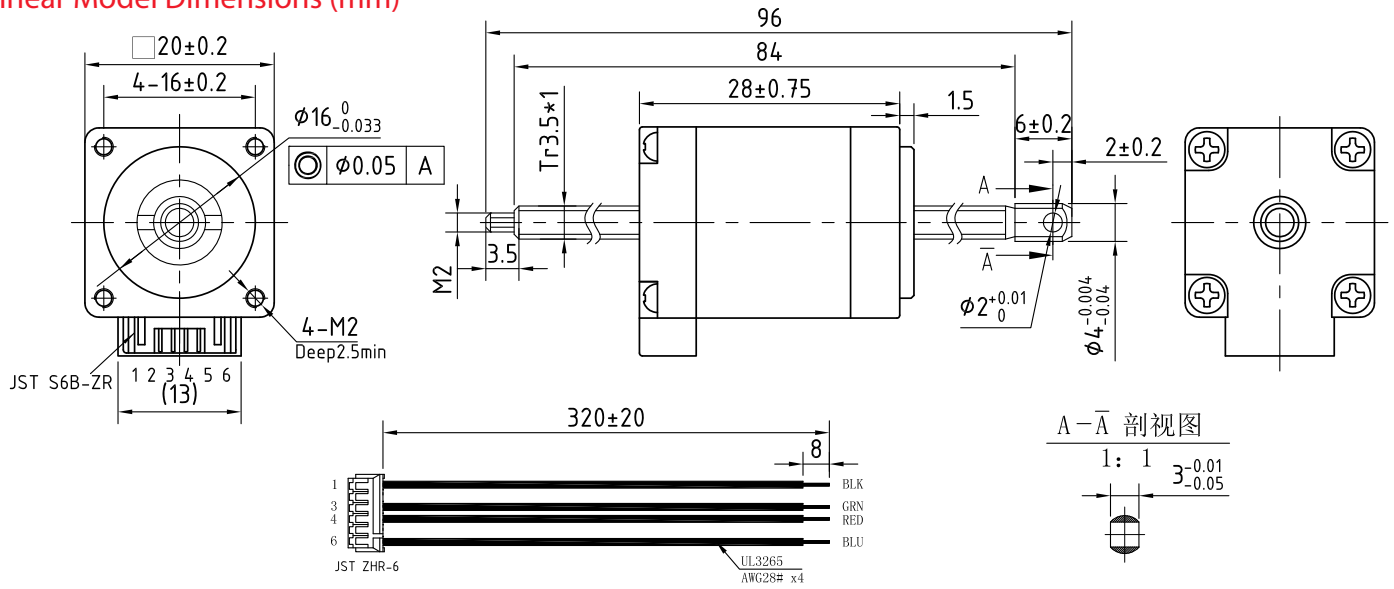


Specifications	PJE20T28E14	PJEL20T Linear Model	PJE20T40E14
Number of Phases	2		
Basic Step Angle	1.8°		
Positional Accuracy (no load)	±0.09° Max		
Rated Current/Phase	0.95A		
Resistance/Phase @ 20°C	2.6Ω ± 10%		4.16Ω ± 10%
Inductance/Phase @ 1KHz	0.8mH ± 20%		1.55mH ± 20%
Holding Torque	0.022N · m		0.038N · m
Rotor Inertia	~2g · cm ²		
Mass	~0.06Kg		
Radial Play (Max)	0.025mm (Load/450g)		
Axial Play (Max)	0.075mm (Load/920g)	0.005mm (Load/920g)	0.075mm (Load/920g)
Duty	Continuous		
Dielectric Strength	500V A.C.		
Insulation Resistance	100MΩ/Min		
Insulation Class (UL)	B		
Temperature Rise	80K/Max		
Life (Hours)	5000/Min		
Operation Ambient Temperature	0°C ~ +50°C		
Operation Ambient Humidity	20% RH ~ 90% RH		
Storage Ambient Temperature	-20°C ~ +70°C		
Storage Ambient Humidity	15% RH ~ 95% RH		

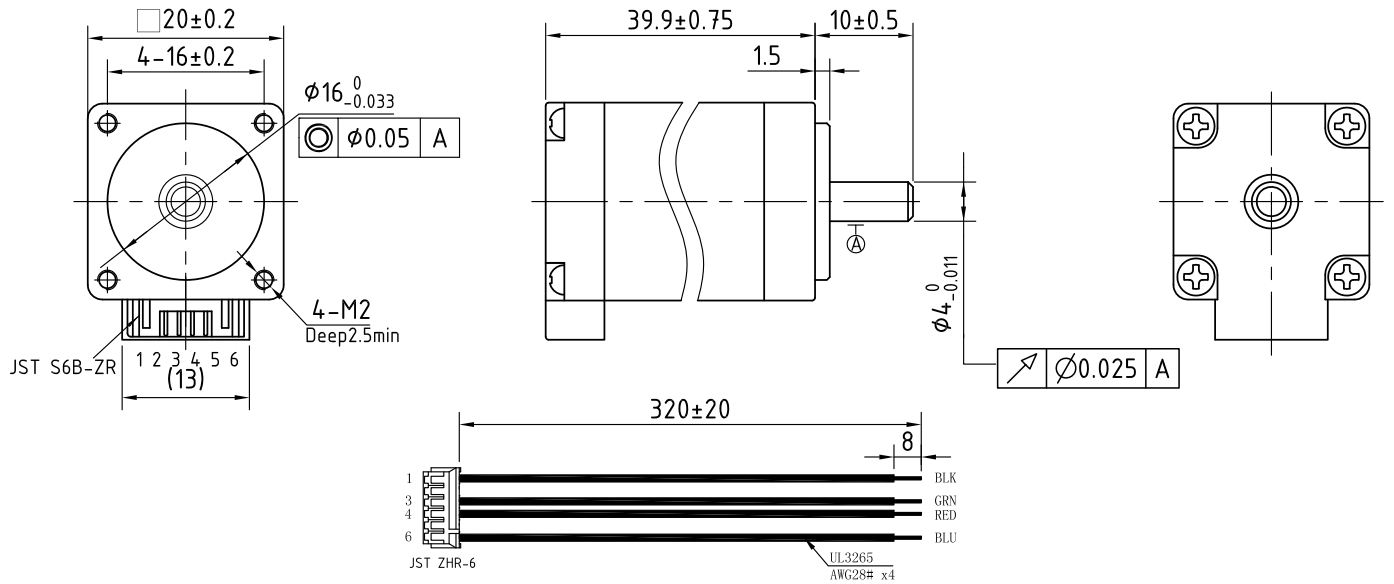
PJE20T28E14 (Single Stack) Dimensions (mm)



Linear Model Dimensions (mm)



PJE20T40E14 (Double Stack) Dimensions (mm)



Phase Sequence (2 Phase Exciting)

CW	Step	A	B	\bar{A}	\bar{B}	CCW
		1	+	+	-	
	2	-	+	+	-	
	3	-	-	+	+	
	4	+	-	-	+	
	1	+	+	-	-	

Wiring Diagram

