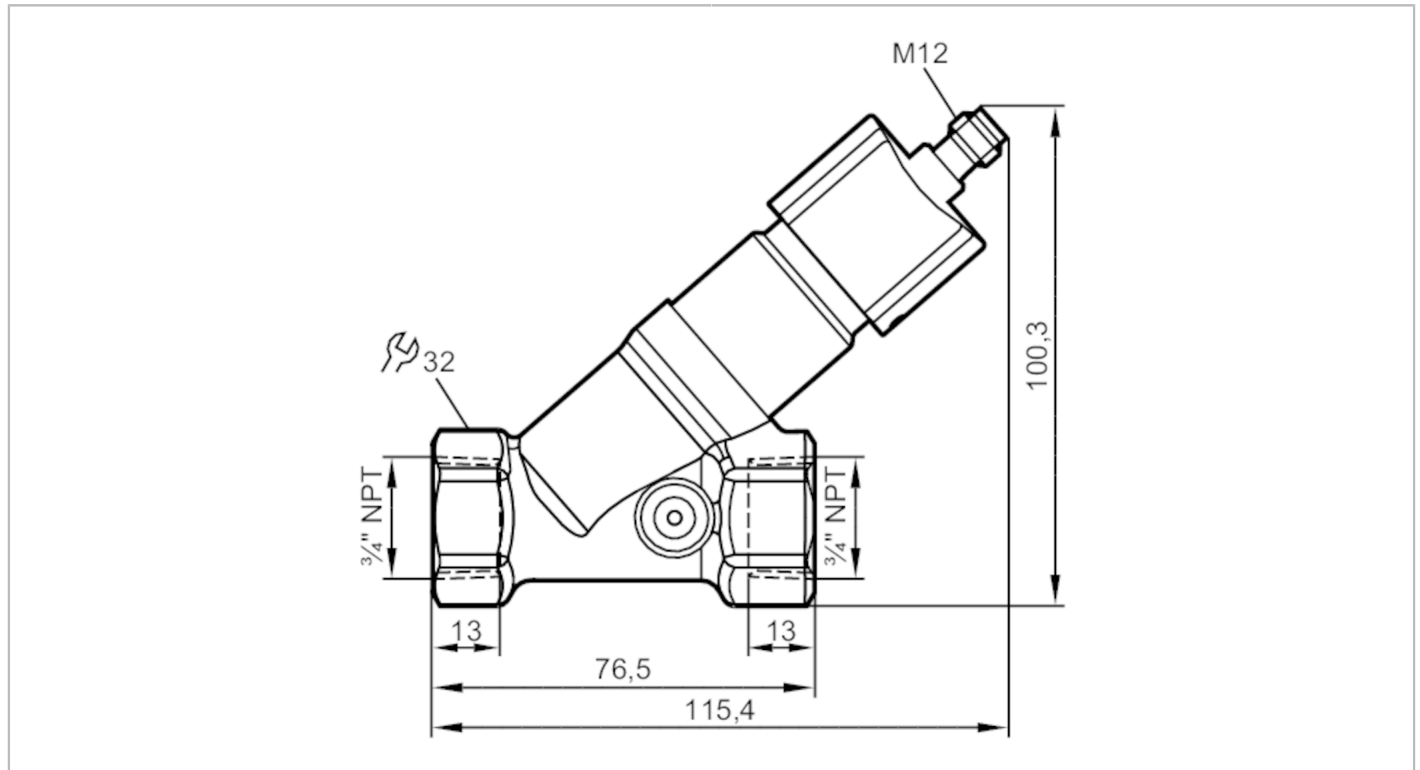


# SBN432



## Flow transmitters with non-return valve

SBN34HF010KG/US



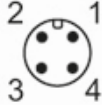
Product characteristics		
Measuring range	[gpm]	0.2...4
Process connection		3/4" NPT
Application		
Media		Liquids; water; glycol solutions; oils; Coolants
Medium temperature	[°C]	-10...100
Pressure rating	[bar]	40
Pressure rating	[Mpa]	4
Electrical data		
Operating voltage	[V]	18...32 DC; (to SELV/PELV)
Current consumption	[mA]	< 35
Protection class		III
Reverse polarity protection		yes
Outputs		
Output signal		analog signal
Analog current output	[mA]	4...20
Max. load	[Ω]	500
Short-circuit protection		yes
Overload protection		yes
Measuring/setting range		
Measuring range	[gpm]	0.2...4

# SBN432



## Flow transmitters with non-return valve

SBN34HF010KG/US

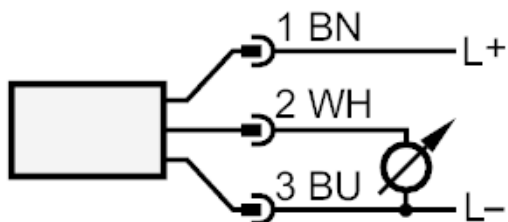
Accuracy / deviations		
Repeatability [% of the final value]		1
Measuring error [% of the final value]		± 5
Reaction times		
Response time [s]		< 0.01
Operating conditions		
Ambient temperature [°C]		0...60
Storage temperature [°C]		-15...80
Protection		IP 65; IP 67
Tests / approvals		
EMC	DIN EN 61000-6-2	
	DIN EN 61000-6-3	
Shock resistance	DIN EN 60068-2-27	20 g (11 ms)
Vibration resistance	DIN EN 60068-2-6	5 g (10...2000 Hz)
Mechanical data		
Weight [g]		478
Material	brass chemically nickel-plated; PP; stainless steel (1.4404 / 316L); aluminum anodized; PA	
Materials (wetted parts)	stainless steel (1.4401 / 316); brass; brass chemically nickel-plated; PP; PPS; O-ring: FKM	
Process connection		3/4" NPT
Switching cycles mechanical		10 million
Remarks		
Remarks	Recommendation Use 200 micron filtration All data refer to water (20 °C).	
Pack quantity		1 pcs.
Electrical connection		
Connector: 1 x M12		
		



## Flow transmitters with non-return valve

SBN34HF010KG/US

### Connection



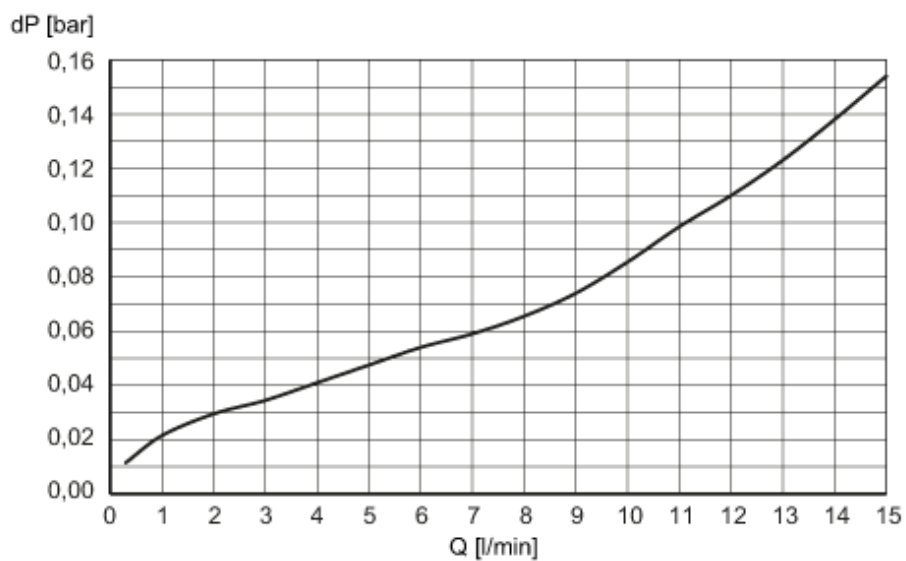
Colours to DIN EN 60947-5-2

Core colors :

BN =	brown
BU =	blue
WH =	white

### Diagrams and graphs

Pressure loss



dP Pressure loss

Q volumetric flow quantity