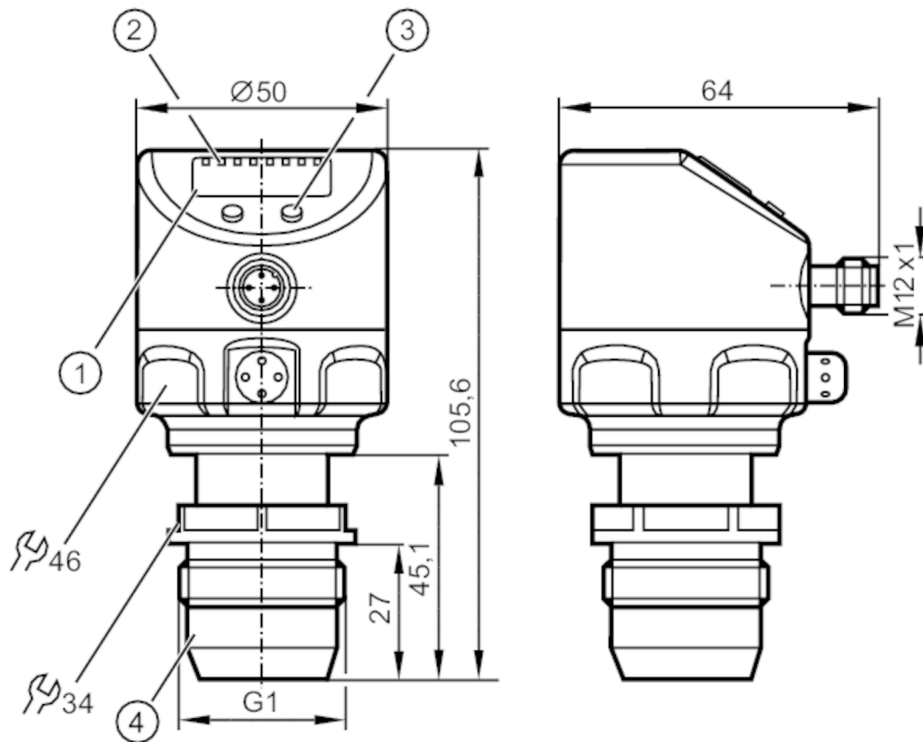


PI2898



Flush pressure sensor with display

PI-,25BREA01-MFRKG/US/ IP



- 1 alphanumeric display 4-digit
- 2 status LEDs
- 3 Programming button
- 4 G 1 sealing cone external thread

Attention: The unit must only be installed in a process connection for G1 sealing cone. The G1A sealing cone of the unit is only suited for adapters with metal end stop.

ACS CE CRN EAC EC 1935/2004 EHEDG Certified FCM FDA

Product characteristics

Output signal	switching signal; analog signal; IO-Link; (configurable)			
Measuring range	-0.0124...0.25 bar	-12.4...250 mbar	-5...100.4 inH2O	-1.24...25 kPa
Process connection	threaded connection G 1 external thread sealing cone			

Application

System	gold-plated contacts		
Application	food and beverage industry		
Media	viscous media and liquids with suspended particles; liquids and gases		
Medium temperature [°C]	-25...125; (145 max. 1h)		
Min. bursting pressure	30000 mbar	12044 inH2O	3000 kPa
Pressure rating	6000 mbar	2400 inH2O	600 kPa
Vacuum resistance [mbar]	-1000		
Type of pressure	relative pressure		
MAWP (for applications according to CRN) [bar]	10		



Flush pressure sensor with display

PI-,25BREA01-MFRKG/US/ IP

Electrical data		
Min. insulation resistance	[MΩ]	100; (500 V DC)
Protection class		III
Reverse polarity protection		yes
Integrated watchdog		yes
2-wire		
Operating voltage	[V]	20...32 DC
Current consumption	[mA]	3.6...21
Power-on delay time	[s]	1
3-wire		
Operating voltage	[V]	18...32 DC
Current consumption	[mA]	< 45
Power-on delay time	[s]	0.5
Inputs / outputs		
Number of inputs and outputs		Number of digital outputs: 2; Number of analog outputs: 1
Outputs		
Total number of outputs		2
Output signal		switching signal; analog signal; IO-Link; (configurable)
Electrical design		PNP/NPN
Number of digital outputs		2
Output function		normally open / closed; (configurable)
Number of analog outputs		1
Analog current output	[mA]	4...20, invertible; (scalable)
Short-circuit protection		yes
Type of short-circuit protection		yes (non-latching)
Overload protection		yes
2-wire		
Max. load	[Ω]	300
3-wire		
Max. voltage drop switching output DC	[V]	2
Permanent current rating of switching output DC	[mA]	250
Switching frequency DC	[Hz]	125
Max. load	[Ω]	(U _b - 10 V) / 20 mA



Flush pressure sensor with display

PI-,25BREA01-MFRKG/US/ IP

Measuring/setting range				
Measuring range	-0.0124...0.25 bar	-12.4...250 mbar	-5...100.4 inH2O	-1.24...25 kPa
Set point SP	-12...250 mbar		-4.8...100.4 inH2O	-1.2...25 kPa
Reset point rP	-12.4...249.6 mbar		-5...100.2 inH2O	-1.24...24.96 kPa
Analog start point	-12.4...187.4 mbar		-5...75.2 inH2O	-1.24...18.74 kPa
Analog end point	50...250 mbar		20.1...100.4 inH2O	5...25 kPa
In steps of	0.2 mbar		0.1 inH2O	0.02 kPa
Factory setting			SP1 = 62.4 mbar	rP1 = 57.4 mbar
			SP2 = 187.4 mbar	rP2 = 182.4 mbar
			ASP = 0.0 mbar	AEP = 250.0 mbar
Accuracy / deviations				
Switch point accuracy [% of the span]	< ± 0,2; (Turn down 1:1)			
Repeatability [% of the span]	< ± 0,1; (with temperature fluctuations < 10 K; Turn down 1:1)			
Characteristics deviation [% of the span]	< ± 0,2; (Turn down 1:1 , linearity, incl. hysteresis and repeatability , limit value setting to DIN EN IEC 62828-1)			
Linearity deviation [% of the span]	< ± 0,15; (Turn down 1:1)			
Hysteresis deviation [% of the span]	< ± 0,15; (Turn down 1:1)			
Long-term stability [% of the span]	< ± 0,1; (Turn down 1:1; per year)			
Temperature coefficient zero point [% of the span / 10 K]	< ± 0,05; (0...70 °C)			
Temperature coefficient span [% of the span / 10 K]	< ± 0,15; (0...70 °C)			
Reaction times				
Damping for the switching output dAP [s]	0...30			
Damping for the analog output dAA [s]	0.01...99.99			
2-wire				
Step response time analogue output [ms]	45			
3-wire				
Min. response time of switching output (dAP) [ms]	3			
Step response time analogue output [ms]	7			

PI2898



Flush pressure sensor with display

PI-,25BREA01-MFRKG/US/ IP

Interfaces		
Communication interface	IO-Link	
Transmission type	COM2 (38,4 kBaud)	
IO-Link revision	1.0	
Profiles	no profile	
SIO mode	yes	
Required master port class	A	
Process data analogue	1	
Process data binary	2	
Min. process cycle time [ms]	2.3	
Supported DeviceIDs	Type of operation	DeviceID
	default	257
Operating conditions		
Ambient temperature [°C]	-25...80	
Storage temperature [°C]	-40...100	
Protection	IP 67; IP 68; IP 69K	
Tests / approvals		
EMC	EN 61000-4-2 ESD	4 kV CD / 8 kV AD
	EN 61000-4-3 HF radiated	10 V/m
	EN 61000-4-4 Burst	2 kV
	EN 61000-4-5 Surge	0,5/1 kV
	EN 61000-4-6 HF conducted	10 V
Shock resistance	DIN IEC 68-2-27	50 g (11 ms)
Vibration resistance	DIN IEC 68-2-6	20 g (10...2000 Hz)
MTTF [years]	148.85	
Note on approval	Factory certificate available as download at www.factory-certificate.ifm	
UL approval	UL approval number	J019
Mechanical data		
Weight [g]	377	
Material	stainless steel (1.4404 / 316L); FKM; PTFE; PBT; PEI; PFA	
Materials (wetted parts)	ceramics (99.9 % Al2O3); stainless steel (1.4435 / 316L); surface characteristics: Ra < 0,4 / Rz 4; PTFE	
Min. pressure cycles	100 million	
Process connection	threaded connection G 1 external thread sealing cone	
Displays / operating elements		
Display	Display unit	LED, green
	Switching status	LED, yellow
	Function display	alphanumeric display, 4-digit
	Measured values	alphanumeric display, 4-digit
Display unit	mbar; kPa; inH2O; mmWS; % of the span	
Remarks		
Remarks	Attention: The unit must only be installed in a process connection for G1 sealing cone. The G1A sealing cone of the unit is only suited for adapters with metal end stop.	
Pack quantity	1 pcs.	

PI2898



Flush pressure sensor with display

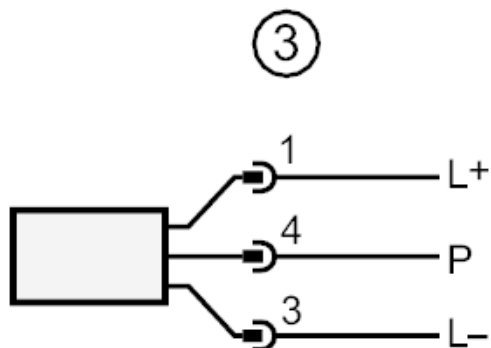
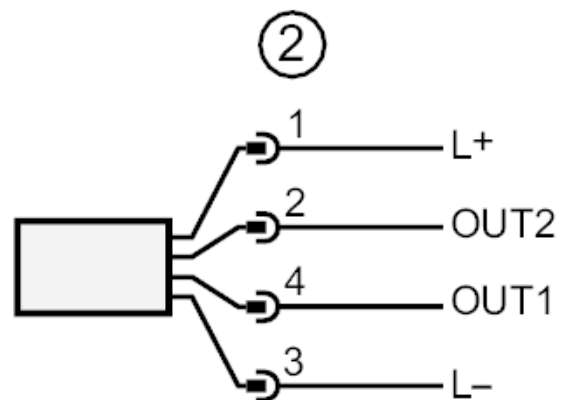
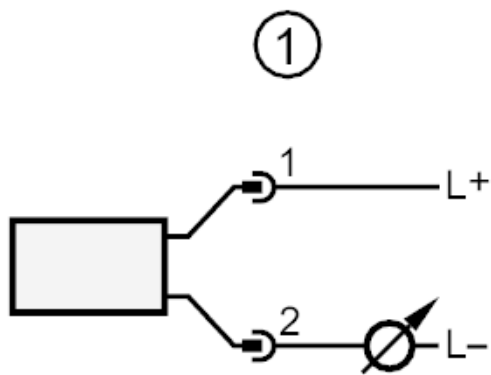
PI-,25BREA01-MFRKG/US/ IP

Electrical connection

Connector: 1 x M12; Contacts: gold-plated



Connection



- 1 connection for 2-wire operation
- 2 connection for 3-wire operation :
- OUT1 Switching output
- OUT2 Switching output
- analog output
- 3 connection for IO-Link parameter setting (P = communication via IO-Link)