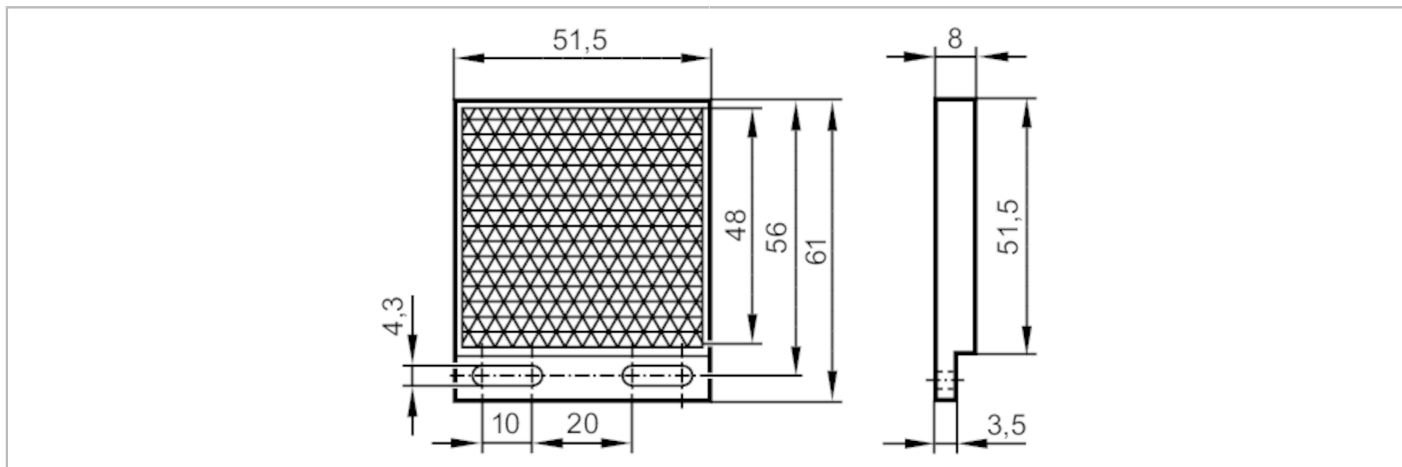


E20744



Reflector for retro-reflective sensors

REFLECTOR TS-48X48



Application	
Design	rectangular, for red light and infrared light retro-reflective sensors
Operating conditions	
Ambient temperature [°C]	-10...60
Mechanical data	
Weight [g]	16
Dimensions [mm]	61 x 51.5 x 8
Reflector surface [mm]	48 x 48
Material	front panel: PMMA; base: ABS
Remarks	
Pack quantity	1 pcs.