



產品規格 / 承認書

PRODUCT SPECIFICATION / APPROVAL SHEET



客戶

CUSTOMER:

元山型號

Y.S. TECH MODEL NO.:

NYW06015012BS-5

客戶型號

CUSTOMER MODEL NO.:



本承認書內容若貴公司確認無誤，
懇請於下方承認欄內簽章寄回。
Please confirm your acceptance of this
approval sheet by return fax.

承認欄
CONFIRMATION SIGNATURE

--

元山科技工業股份有限公司
電子熱傳事業部 / Y.S.TECH
YEN SUN TECHNOLOGY
CORPORATION

高雄縣仁武鄉鳳仁路三二九號 (814)
No.329 Feng Ren Road, Ren Wu Shiang,
Kaohsiung , Taiwan ROC 814
Tel: 886-7-3713588 Fax: 886-7-3719643
E-mail: ystech@ystech.com.tw
URL: www.ystech.com.tw

SPEC No.	RS040781
Issue Date	07 / 19 / 04
Edition	0 版
Revised Date	MM / DD / YY

APPD.	EDAM	DRAW
劉賢文	余慧珍	張馥怡

產品規格 / 承認書

PRODUCT SPECIFICATION / APPROVAL SHEET

A. 一般規格 (General Specification)

項 目 (Item)		規 格 / 條 件 (Specification / Condition)	
01	型號 (Part No.)	NYW06015012BS-5	
02	外型尺寸 (Outline Dimension)	60 x 60 x 15	mm
03	額定電壓 (Rated Voltage)	DC 12.0 V	
04	電壓範圍 (Voltage Range)	DC 7.0 V ~ DC 13.2 V	
05	起動電壓 (Starting Voltage)	DC 7.0 V	a. 額定電壓 (Rated Voltage) b. 25 °C c. 65 % RH
06	額定電流 (Rated Current)	0.25 A	
07	額定功率 (Rated Power Consumption)	3.00 W	
08	轉速 (Speed)	5200 R.P.M. ± 10%	a. 65% RH , 25 °C b. 自由空氣 (Free Air) c. 額定電壓 (Rated Voltage)
09	最大風量 (Max. Airflow)	27.2 CFM (ft3/min)	a. 額定電壓 (Rated Voltage) b. AMCA標準 (Standard) c. 額定電流 (Rated Current)
		0.770 m3/min	
10	最大靜壓 (Max. Static Pressure)	0.189 in-H ₂ O	
		4.8 mm-H ₂ O	
11	音量位準 (Noise Level)	40.0 dB(A)	a. 額定電壓 (Rated Voltage) b. 無響室測試 (Measured in a Non-Echo Chamber) c. CNS 8753標準 (Standard) d. ISO 3744測試條件 (Test Condition)
12	壽命 (Life Expentancy)	75000 / hrs at 30°C	a. L ₁₀ at Conf. Level 90% b. 額定電壓 (Rated Voltage)
13	極數 (No. of Pole)	4 極 (Poles)	
14	迴轉方向 (Rotating Direction)	逆時針 (Counter-Clockwise)	

B. 電氣規格 (Electrical Specification)

項 目 (Item)		規 格 / 條 件 (Specification / Condition)	
01	扇葉鎖住保護 (Locked Rotor Protection)	<input type="radio"/>	安規條件。(Safety Condition)
		<input type="radio"/>	1. 額定電壓鎖住1秒，自動斷電。 (Auto power off after locked at rated voltage for 1 sec.) 2. 自動斷電後，2至6秒自動嘗試啟動。 (After auto power off, circuit attempt to restart in 2 to 6 sec.)
02	極性保護 (Polarity Protection)	<input type="radio"/>	Vcc與GND反接時，不導通。(Open circuit when Vcc & GND are exchanged)
		<input type="radio"/>	Vcc與GND反接時，5秒內迴路不燒燬(Circuit won't be burned within 5 seconds when Vcc & GND are exchanged)
03	絕緣阻抗 (Insulation Resistance)	10 MΩ / 裸線與外框間測量，500 VDC/min(10 MΩ / b/w unshielded wire and frame at 500 VDC/min)	
04	絕緣耐壓 (Dielectric Strength)	5 mA Max. / 導線與外框間測量，500 VAC/min(5 mA Max. / Measured b/w lead wire (+) and frame at 500 VAC/min)	

C. 主要材料/零件規格 (Main Materials / Parts Specification)

材料/零件 (Materials / Parts)		規 格 (Specification)
01	塑膠材料 / 扇葉、外框、絕緣套 (Plastic Material/Blade, Housing, Bobbin)	a. UL 94V-0 b. P.B.T. + 30% GF Black
02	軸承 (Bearing)	雙滾珠軸承(Two Ball Bearing)
03	導線 (Lead Wire)	Red (+), Black (-): UL 1007 \ 26 AWG Yellow (FG), UL 1007 \ 26 AWG
04	端子 (Connector)	

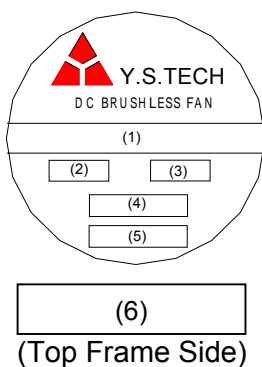
D. 安規規格 (Safety Approvals)

安 規 (Safety Approvals)	安規編號 (File No.)	安 規 (Safety Approvals)	安規編號 (File No.)
UL	E223068	VDE	
CUL	E223068	T MARK	
TUV	R50036021		
安規承認電流 0.40A + 10% (Approved current 0.40A with tolernace of 10%)			

E. 環境測試 (Environmental Specification)

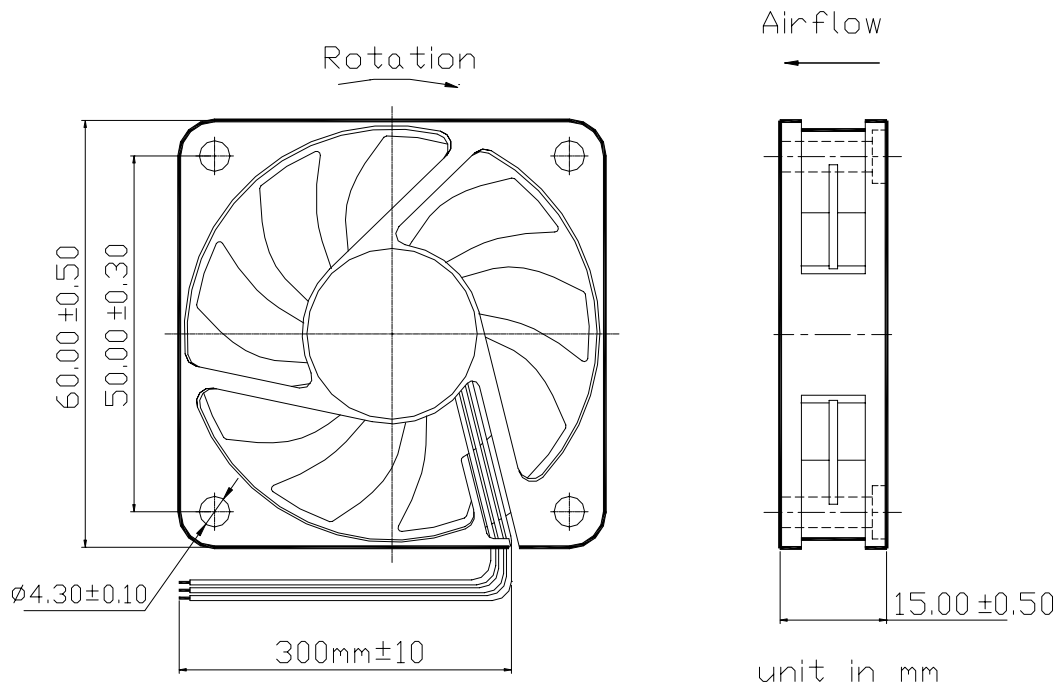
項 目 (Item)		規格/條件 (Specification / Condition)
01	運轉溫/溼度範圍 (Operating Temp. Range)	溫度 / Temperature : -10 °C - 70 °C
		溼度 / Humidity : 35 % - 85 % RH
02	保存溫/溼度範圍 (Storge Temp. Range)	溫度 / Temperature : -10 °C - 70 °C
		溼度 / Humidity : 35 % - 80 % RH

F. 商標 (Label Marking)



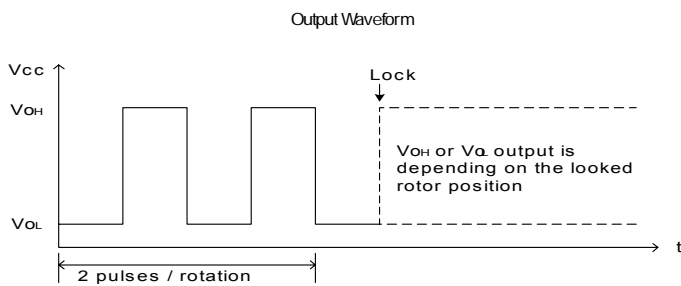
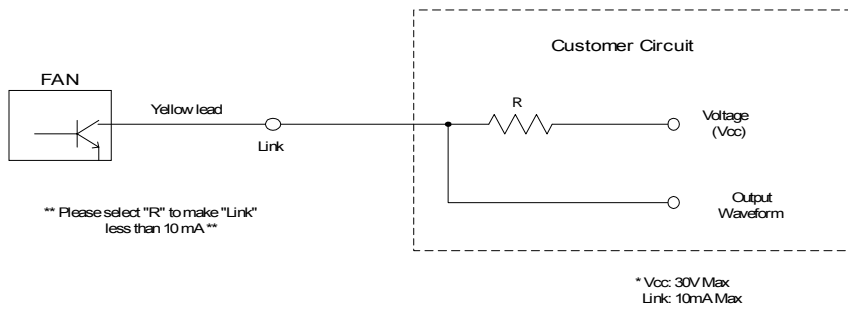
(1)	型號 (Model No.)
(2)	額定電壓 (Rated Voltage)
(3)	電流 (Current)
(4)	安規 (Safety Approvals)
(5)	產地 (Location)
(6)	附碼 (Appendix Code)

G. 外觀尺寸圖 (Outline Dimension)



H: 訊號控制系統 (Sensor Circuit System)

Speed Sensor / Tachometer (FG/F)





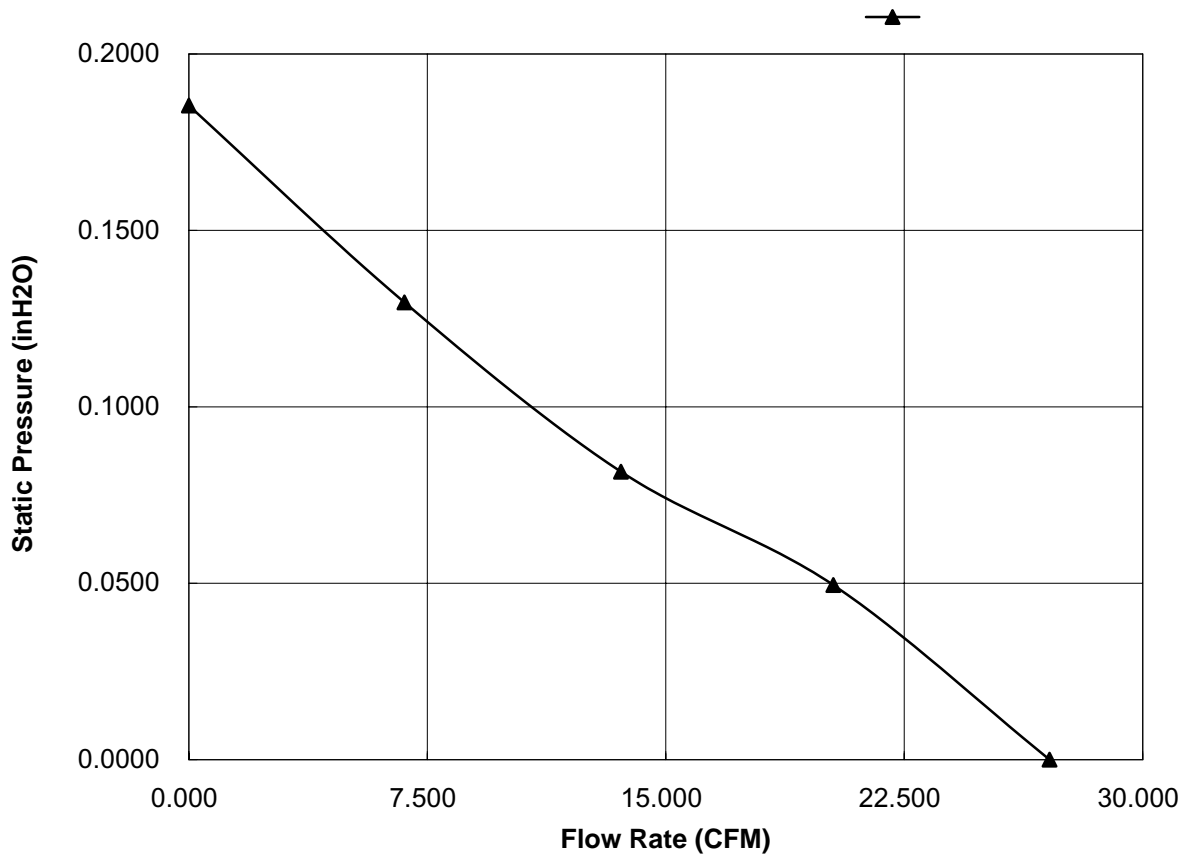
Yen Sun Technology Corp.

Fan Performance Test Report

Fan Model : NYW06015012BS-5 Key Point : NYW06015012BS-5 Blade No. : 9 Motor Poles : 4 Rating Voltage(V) : 12 VDC Rating Current(A) : 0.25 Rating Speed(rpm) : 5200 Test Voltage(V) : 12 VDC Max. Flow rate(CFM) : 27.069 Max. Flow rate(m ³ /min) : 0.766 Max. Pressure(in-H ₂ O) : 0.185 Max. Pressure(mm-H ₂ O) : 4.709	Test Date : 2001/04/23 Order No. : 6015-23 Test No. : YS Method : Constant Voltage Tunnel Setup : Inlet Chamber Type Temperature() : 27 R.H.(%) : 78 Barometric Pressure(mmHg) : 757.3 Acoustic (dB(A)/1M):40.0dB(A) Mea. Distance(M): 1 Background Noise:10.0dB(A) Vibration Level (mm/sec ²): N / A Remark:
---	---

Curve	Pts	Flowrate		Static Pressure		Voltage	Current	Power	Speed
		CFM	m3/min	in-H ₂ O	mm-H ₂ O	V	A	W	rpm
1	1	27.069	0.7663	0.0000	0.000	12.00	0.219	2.63	4925
	2	20.271	0.5739	0.0495	1.257	12.00	0.214	2.57	5068
	3	13.589	0.3847	0.0816	2.073	12.00	0.208	2.49	5291
	4	6.782	0.1920	0.1296	3.292	12.00	0.216	2.59	4863
	5	0.000	0.0000	0.1854	4.709	12.00	0.224	2.69	4488

Fan Performance Curve



Approver:	劉智光	Examiner:	許志聰	Tester:	張馥怡
-----------	-----	-----------	-----	---------	-----