

# PRODUCT INFORMATION PACKET

Model No: 056H17T2011  
Catalog No: Y500  
1/4, 1800, TENV, 56C, 3/60/230  
1000:1 Speed Ratio



Regal and Marathon are trademarks of Regal Beloit Corporation or one of its affiliated companies.

©2018 Regal Beloit Corporation, All Rights Reserved. MC017097E



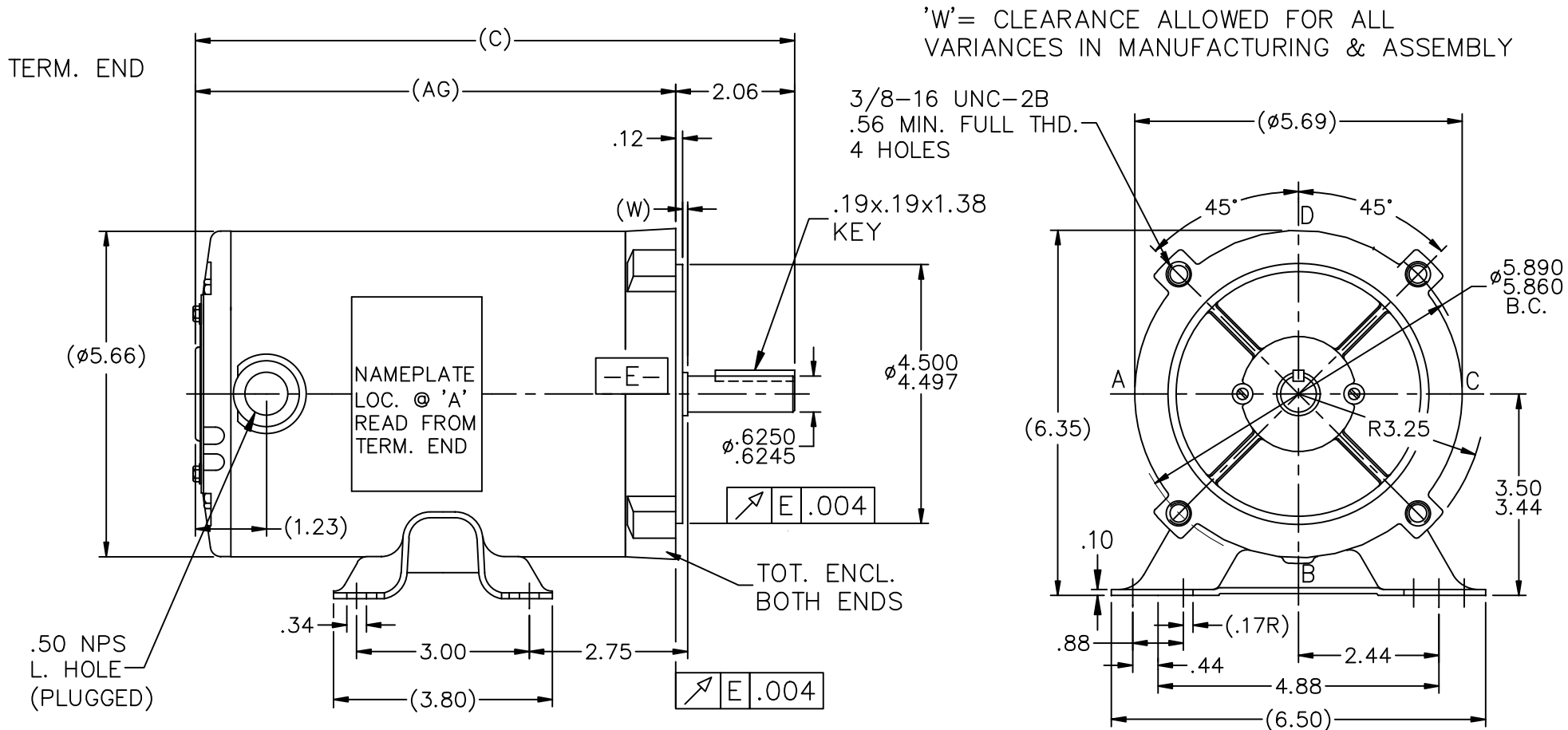


### Nameplate Specifications

Output HP	<b>0.25 Hp</b>	Output KW	<b>0.19 kW</b>
Frequency	<b>60 Hz</b>	Voltage	<b>230 V</b>
Current	<b>1.0 A</b>	Speed	<b>1725 rpm</b>
Service Factor	<b>1</b>	Phase	<b>3</b>
Efficiency	<b>72 %</b>	Duty	<b>Continuous</b>
Insulation Class	<b>H</b>	Design Code	<b>INV</b>
KVA Code	<b>M</b>	Frame	<b>56C</b>
Enclosure	<b>Totally Enclosed Non Ventilated</b>	Overload Protector	<b>No</b>
Ambient Temperature	<b>40 °C</b>	Drive End Bearing Size	<b>6203</b>
Opp Drive End Bearing Size	<b>6203</b>	UL	<b>Recognized</b>
CSA	<b>Y</b>	CE	<b>Y</b>
IP Code	<b>43</b>		

### Technical Specifications

Electrical Type	<b>Squirrel Cage Inverter Duty</b>	Starting Method	<b>Inverter Only</b>
Poles	<b>4</b>	Rotation	<b>Reversible</b>
Mounting	<b>Rigid base</b>	Motor Orientation	<b>Horizontal</b>
Drive End Bearing	<b>Ball</b>	Opp Drive End Bearing	<b>Ball</b>
Frame Material	<b>Rolled Steel</b>	Shaft Type	<b>NEMA 56</b>
Overall Length	<b>9.91 in</b>	Frame Length	<b>6.25 in</b>
Shaft Diameter	<b>0.625 in</b>	Shaft Extension	<b>2.06 in</b>
Assembly/Box Mounting	<b>F1 Only</b>		
Outline Drawing	<b>A-SS403144-625</b>	Connection Diagram	<b>A-EE7300HX</b>

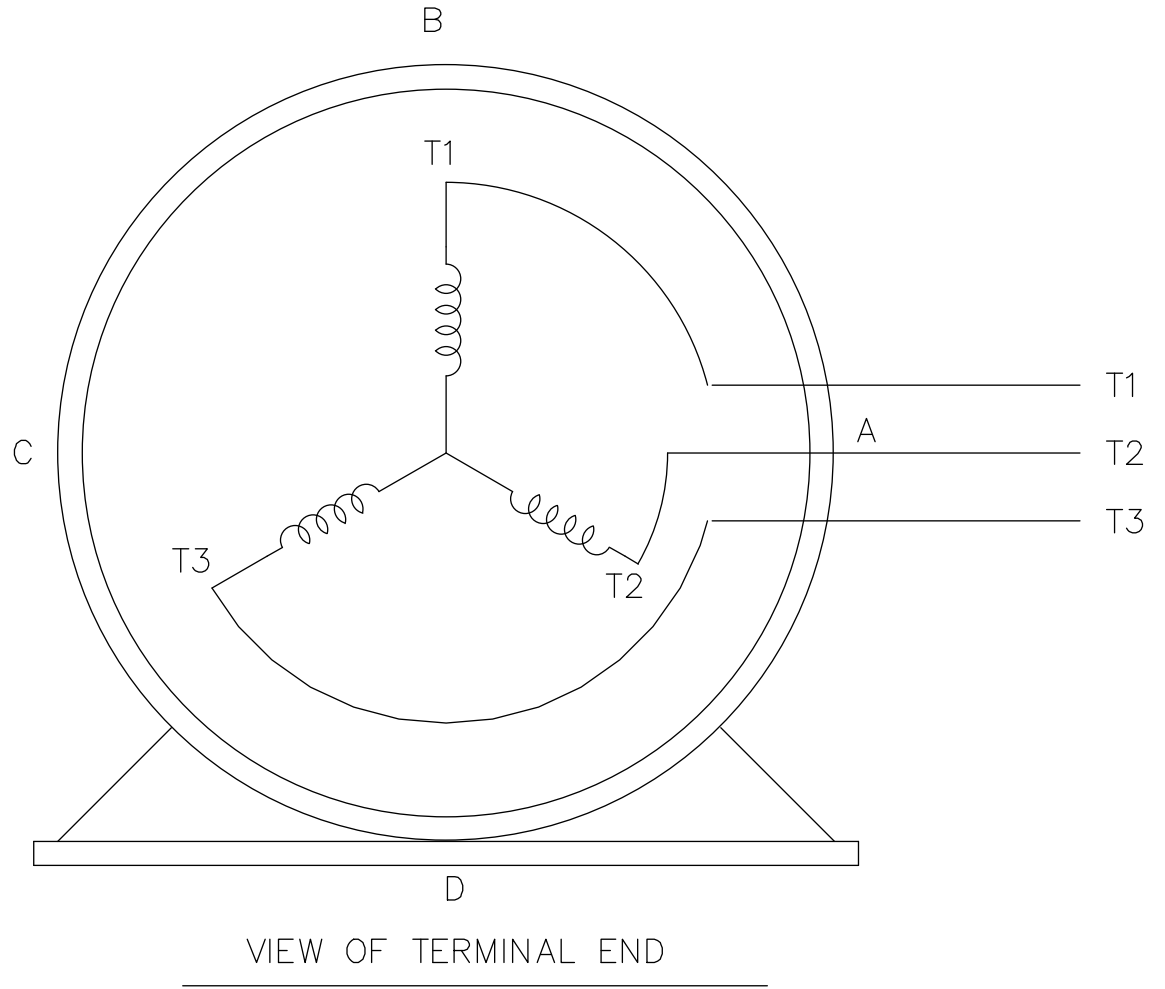


DASH	FR	C	AG		DASH	FR	C	AG		DASH	FR	C	AG	
550	56	9.16	7.10	01-17-2002	650	56	10.16	8.10		725	56	10.91	8.85	
600	56	9.66	7.60		675	56	10.41	8.35		750	56	11.16	9.10	
625	56	9.91	7.85		700	56	10.66	8.60		775	56	11.41	9.35	

				TOLERANCES UNLESS SPECIFIED		MARATHON ELECTRIC		DRAWN NJS 05-11-2001	
				DEC.	INCHES			CHK	ML 05-11-2001
				.X	±.1			APPD	TOM 05-14-2001
3	REVISED "C" & "AG" DIMS	ISAAC10-2047	TJW 7/27/2010	CTO	.XX	±.03	TITLE	OUTLINE	SCALE 3=8
2	REDRAWN IN AUTOCAD		TAT 07-06-2004	ML	.XXX	±.005			REF
1	NEW DRAWING	MU37179	NJS 05-14-2001		.XXXX	±.0005	MAT'L.		FMF
NO.	REVISION		BY & DATE	CHK	ANG	±7'30"	FINISH		PREV
THIS DRAWING IN DESIGN AND DETAIL IS OUR PROPERTY AND MUST NOT BE USED EXCEPT IN CONNECTION WITH OUR WORK ALL RIGHTS OF DESIGN AND INVENTION ARE RESERVED THIS IS AN ELECTRONICALLY GENERATED DOCUMENT - DO NOT SCALE THIS PRINT				RFP	CAD FILE ss403144			SIZE	DRAWING NO. PAGE OF REV.
				DIST	WP			A	SS403144 3

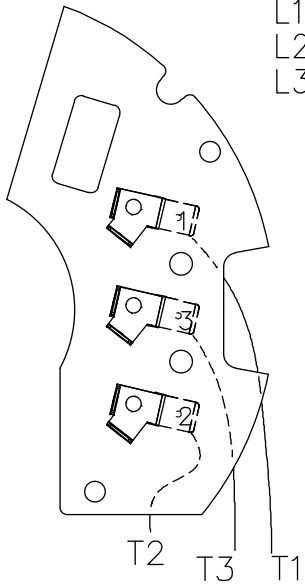
THREE PHASE – SINGLE VOLTAGE MOTOR

TO REVERSE ROTATION:  
INTERCHANGE ANY TWO LINE  
LEAD CONNECTIONS



TERMINAL BOARD  
WHEN SPECIFIED

L1 TO 1  
L2 TO 2  
L3 TO 3



NO.	REVISION	BY & DATE	CHK	TOLERANCES UNLESS SPECIFIED		FINISH	DRAWN NJS 06-18-2001			
				DEC.	INCHES			CHK	ML 06-19-2001	
				.X	±.1		APPD GK 06-19-2001			
3	UPDATED TERMINAL BOARD COMMENT	UD 11/12/13	BV	.XX	±.02	TITLE CONNECTION DIAGRAM SINGLE VOLT – 3Ø MOTOR	SCALE 1=1			
2	REDRAWN IN AUTOCAD	TAT 08-02-2004	ML	.XXX	±.005		REF			
1	NEW DRAWING	MU37179 NJS 06-19-2001		.XXXX	±.0005	MAT'L.	FMF			
				ANG	±7'30"		PREV			
THIS DRAWING IN DESIGN AND DETAIL IS OUR PROPERTY AND MUST NOT BE USED EXCEPT IN CONNECTION WITH OUR WORK ALL RIGHTS OF DESIGN AND INVENTION ARE RESERVED THIS IS AN ELECTRONICALLY GENERATED DOCUMENT – DO NOT SCALE THIS PRINT				RFP	CAD FILE ee7300hx		SIZE A	DRAWING NO. EE7300HX	PAGE OF 3	REV. 3
				DIST						





NONE	P/N	NONE	
NONE	NONE		
NONE FT-LB	NONE V	NONE Hz	

DATE: 06/28/2017 01:10:36 AM  
FORM 3531 REV.3 02/07/99  
\*\* Subject to change without notice.

