

# PRODUCT INFORMATION PACKET

Model No: 048S17D2090  
Catalog No: S006  
1/3, 1800, DP, 48, 1/60/115  
Open Drip Proof (ODP)



Regal and Marathon are trademarks of Regal Beloit Corporation or one of its affiliated companies.  
©2018 Regal Beloit Corporation, All Rights Reserved. MC017097E





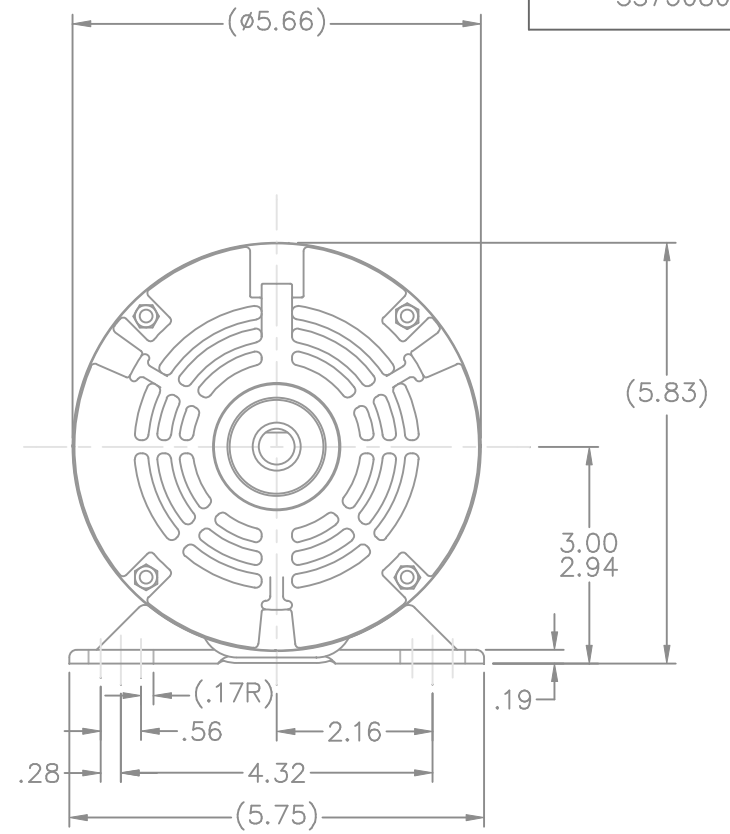
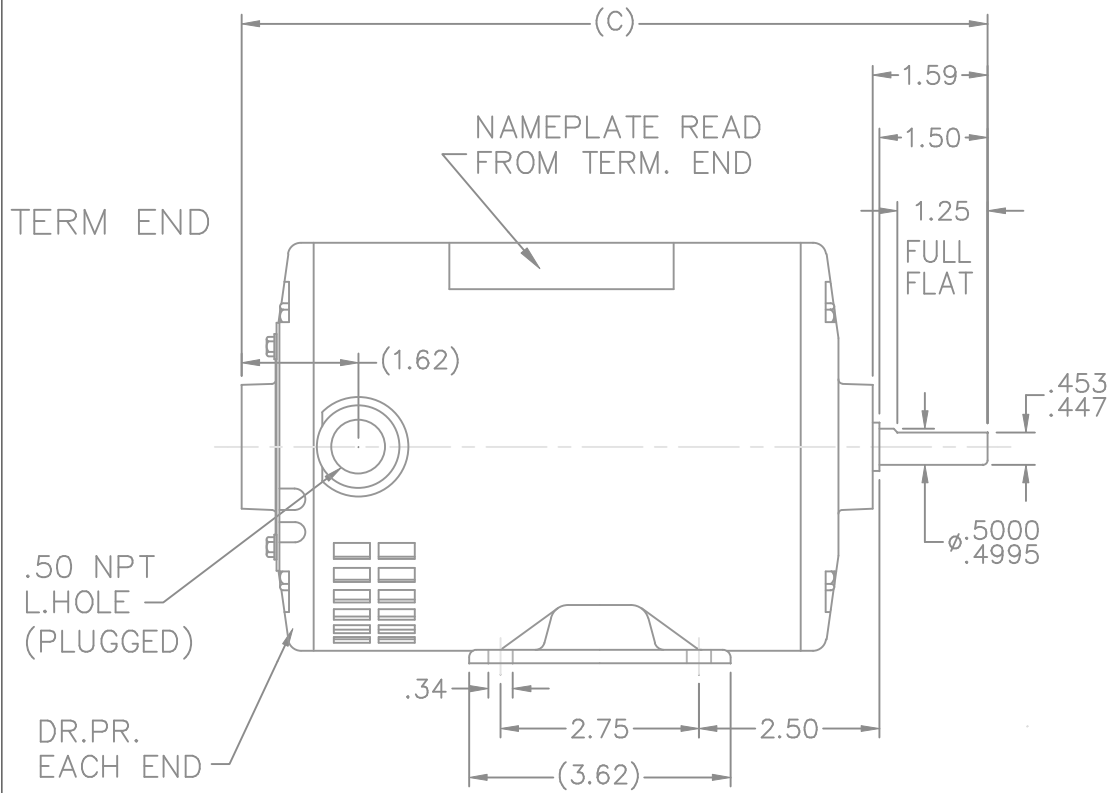
### Nameplate Specifications

Output HP	<b>0.33 Hp</b>	Output KW	<b>0.25 kW</b>
Frequency	<b>60 Hz</b>	Voltage	<b>115 V</b>
Current	<b>6.6 A</b>	Speed	<b>1725 rpm</b>
Service Factor	<b>1</b>	Phase	<b>1</b>
Efficiency	<b>57.5 %</b>	Duty	<b>Continuous</b>
Insulation Class	<b>B</b>	Design Code	<b>NO DESIGN CODE</b>
KVA Code	<b>R</b>	Frame	<b>48</b>
Enclosure	<b>Drip Proof</b>	Overload Protector	<b>No</b>
Ambient Temperature	<b>40 °C</b>	Drive End Bearing Size	<b>6203</b>
Opp Drive End Bearing Size	<b>6203</b>	UL	<b>Recognized</b>
CSA	<b>Y</b>	CE	<b>N</b>
IP Code	<b>22</b>		

### Technical Specifications

Electrical Type	<b>Split Phase</b>	Starting Method	<b>Across The Line</b>
Poles	<b>4</b>	Rotation	<b>Selective Counterclockwise</b>
Mounting	<b>Rigid base</b>	Motor Orientation	<b>Horizontal</b>
Drive End Bearing	<b>Ball</b>	Opp Drive End Bearing	<b>Ball</b>
Frame Material	<b>Rolled Steel</b>	Shaft Type	<b>NEMA 48</b>
Overall Length	<b>9.34 in</b>	Frame Length	<b>5.75 in</b>
Shaft Diameter	<b>0.500 in</b>	Shaft Extension	<b>1.59 in</b>
Assembly/Box Mounting	<b>F1 Only</b>		
Outline Drawing	<b>A-SS75080-575</b>	Connection Diagram	<b>A-EE7195A</b>

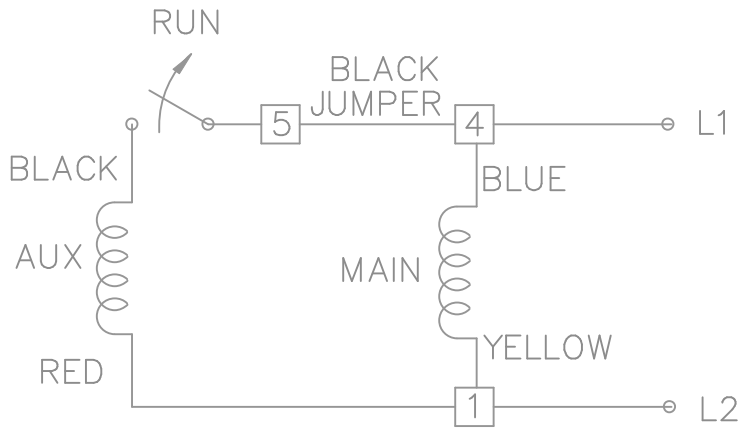
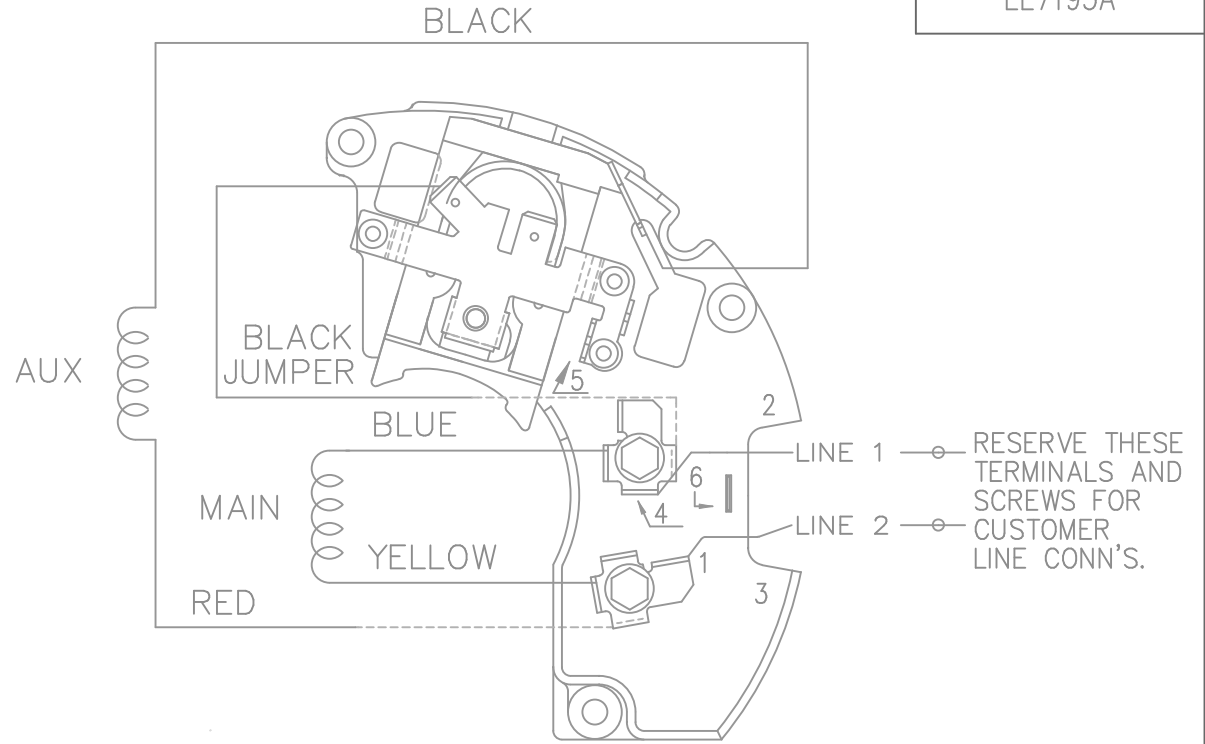
SS75080



DASH	FR	C	DASH	FR	C
550	48	9.09 01/03/2009			
575	48	9.34	675	48	10.34
600	48	9.59	700	48	10.59
625	48	9.84	725	48	10.84
650	48	10.09	750	48	11.09

				TOLERANCES UNLESS SPECIFIED			DRAWN KL 12-12-1994				
				DEC.	INCHES		CHK SMC 12-14-1994				
				.X	±.1		APPD MOL 12-14-1994				
5	REDRAWN IN AUTOCAD			TAT 06-29-2004	ML	.XX	±.03	SCALE 3=8			
4	ADDED VENTS TO O.D.E. OF FRAME CN 19513			NJS 01-04-2001		.XXX	±.005	REF			
3	REDRAWN ON CAD, ADDED NEW REAR BRKT. CN 19513			KL 12-14-1994		.XXXX	±.0005	FMF			
NO.	REVISION			BY & DATE	CHK	ANG	±7'30"	PREV			
THIS DRAWING IN DESIGN AND DETAIL IS OUR PROPERTY AND MUST NOT BE USED EXCEPT IN CONNECTION WITH OUR WORK ALL RIGHTS OF DESIGN AND INVENTION ARE RESERVED THIS IS AN ELECTRONICALLY GENERATED DOCUMENT - DO NOT SCALE THIS PRINT				RFP	CAD FILE ss75080			SIZE A	DRAWING NO. SS75080	PAGE OF	REV. 5
				DIST WP-BR							

SINGLE VOLTAGE – SPLIT PHASE  
 REVERSIBLE ON TERM BOARD  
 NO OVERLOAD PROTECTION



VIEWING TERMINAL END

C.C.W. ROTATION SHOWN.

FOR C.W. ROTATION INTERCHANGE  
 YELLOW & BLUE LEADS ON TERM 1 & 4.

DASH LINES INDICATE LEADS CONNECTED  
 TO MOTOR SIDE OF SWITCH.

				TOLERANCES UNLESS SPECIFIED			DRAWN ML 01-27-1988		
				DEC.	INCHES		CHK	GK 02-05-1988	
4	REDRAWN IN AUTOCAD	RWR 06-15-2004	ML	.X	± -	TITLE CONNECTION DIAGRAM 48 FR. SINGLE VOLTAGE REVERSIBLE  MAT'L. FINISH	APPD	DRN 03-11-1988	
3	REVISED LINE 2 LOCATION CN6427	RM 01-28-1991	GK	.XX	± -		SCALE	1=1	
2	ADDED CUSTOMER CONNECTION NOTE CN6011	BW 08-03-1989	GK	.XXX	± -		REF		
1	NEW DRAWING	ML 08-19-1988	GK	.XXXX	± -		FMF		
NO.	REVISION	BY & DATE	CHK	ANG	± -		PREV		
THIS DRAWING IN DESIGN AND DETAIL IS OUR PROPERTY AND MUST NOT BE USED EXCEPT IN CONNECTION WITH OUR WORK ALL RIGHTS OF DESIGN AND INVENTION ARE RESERVED THIS IS AN ELECTRONICALLY GENERATED DOCUMENT – DO NOT SCALE THIS PRINT				RFP	CAD FILE ee7195a		SIZE	DRAWING NO. PAGE 1 OF 1	REV.
				DIST	LB	A	EE7195A	4	

**CERTIFICATION DATA SHEET**

**Model#:** 48S17D2090 L **WINDING#:** SE484122 NONE 1  
**CONN. DIAGRAM:** A-EE7195A **ASSEMBLY:** F1 ONLY  
**OUTLINE:** A-SS75080-575

**TYPICAL MOTOR PERFORMANCE DATA**

HP	KW	SYNC. RPM	F.L. RPM	FRAME	ENCLOSURE	KVA CODE	DESIGN		
1/3	0.25	1800	1725	48	DP	R	NO DESIGN CODE		
PH	Hz	VOLTS	FL AMPS	START TYPE	DUTY	INSL	S.F	AMB°C	ELEVATION
1	60	115	6.6	ACROSS THE LINE	CONTINUOUS	B3	1.0	40	3300
FULL LOAD EFF: 57.5	3/4 LOAD EFF: -	1/2 LOAD EFF: -	GTD. EFF		ELEC. TYPE	NO LOAD AMPS			
-	-	-	-		SPLIT PHASE	5.9			
F.L. TORQUE	LOCKED ROTOR AMPS	L.R. TORQUE	B.D. TORQUE		F.L. RISE°C				
16.2 LB-FT	39.8	29 LB-FT -	41.7 LB-FT -		-				
SOUND PRESSURE @ 3 FT.	SOUND POWER	ROTOR WK^2	MAX. WK^2	SAFE STALL TIME	STARTS /HOUR	APPROX. MOTOR WGT			
- dBA	- dBA	- LB-FT^2	- LB-FT^2	- SEC.	-	- LBS.			

**\*\*\* SUPPLEMENTAL INFORMATION \*\*\***

DE BRACKET TYPE	ODE BRACKET TYPE	MOUNT TYPE	ORIENTATION	SEVERE DUTY	HAZARDOUS LOCATION	DRIP COVER	SCREENS	PAINT
STANDARD	STANDARD	RIGID	HORIZONTAL	FALSE	NONE	FALSE	NONE	GRAY (POWDER)

BEARINGS		GREASE	SHAFT TYPE	SPECIAL DE	SPECIAL ODE	SHAFT MATERIAL	FRAME MATERIAL
DE	OPE	MULTEMP SRL	STANDARD 48	NONE	NONE	1144 STRESSPROOF (C-223)	ROLLED STEEL
BALL	BALL						
6203	6203						

THERMO-PROTECTORS				THERMISTORS	CONTROL	SPACE /n HEATERS
THERMOSTATS	PROTECTORS	WDG RTDs	BRG RTDs	NONE	FALSE	NONE VOLTS
NONE	NOT	NONE	NONE			

If Inverter equals NONE, contact factory for further information

INVERTER TORQUE: NONE
INV. HP SPEED RANGE: NONE
ENCODER: NONE
NONE NONE
NONE NONE PPR
BRAKE: NONE NONE
NONE P/N NONE
NONE NONE
NONE FT-LB NONE V NONE Hz

\*  
N  
O  
T  
E  
S  
\*

DATE: 06/29/2017 12:36:15 AM  
 FORM 3531 REV.3 02/07/99  
 \*\* Subject to change without notice.