

# PRODUCT INFORMATION PACKET

Model No: 048A11O1044  
Catalog No: X471  
1/6,1075,OPEN,48Y,1/60/230  
Direct Drive



Regal and Marathon are trademarks of Regal Beloit Corporation or one of its affiliated companies.  
©2018 Regal Beloit Corporation, All Rights Reserved. MC017097E





### Nameplate Specifications

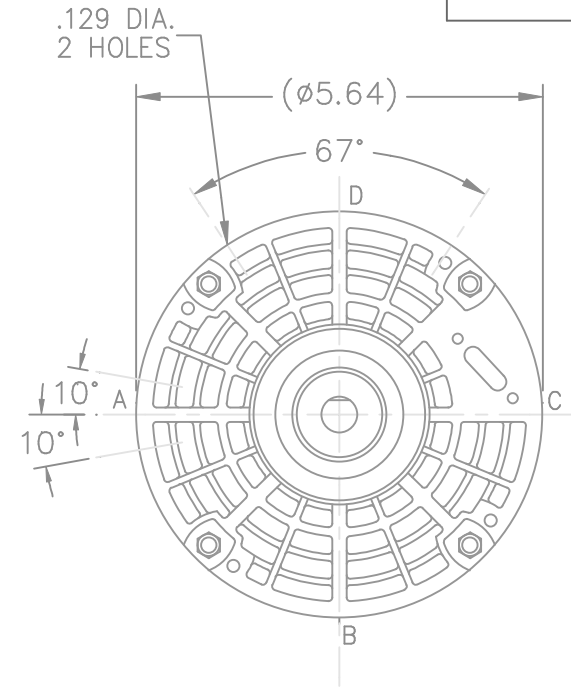
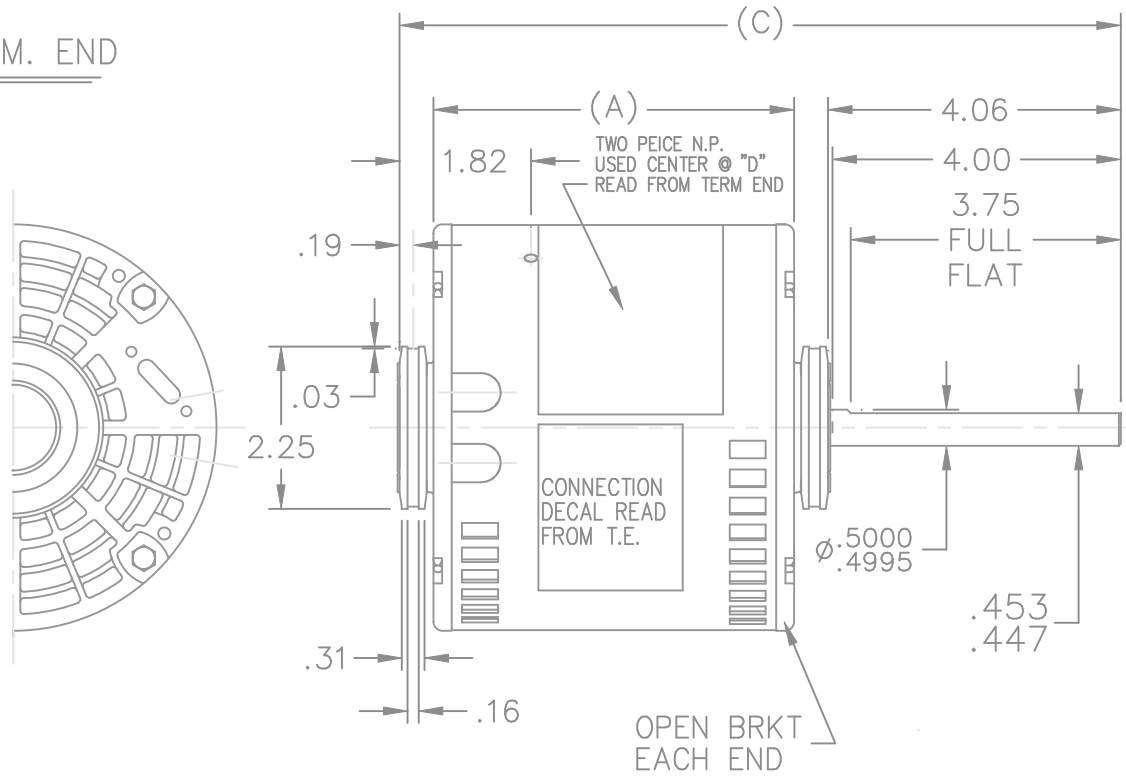
Output HP	<b>0.17 Hp</b>	Output KW	<b>0.13 kW</b>
Frequency	<b>60 Hz</b>	Voltage	<b>230 V</b>
Current	<b>1.3 A</b>	Speed	<b>1075 rpm</b>
Service Factor	<b>1</b>	Phase	<b>1</b>
Efficiency	<b>52.5 %</b>	Duty	<b>Continuous</b>
Insulation Class	<b>B</b>	Design Code	<b>NO DESIGN CODE</b>
KVA Code	<b>B</b>	Frame	<b>48Y</b>
Enclosure	<b>Open Air Over</b>	Overload Protector	<b>Auto Lock Rotor Only</b>
Ambient Temperature	<b>40 °C</b>	Drive End Bearing Size	<b>6203</b>
Opp Drive End Bearing Size	<b>6203</b>	UL	<b>Recognized</b>
CSA	<b>Y</b>	CE	<b>N</b>
IP Code	<b>10</b>		

### Technical Specifications

Electrical Type	<b>Permanent Split Capacitor</b>	Starting Method	<b>Across The Line</b>
Poles	<b>6</b>	Rotation	<b>Selective Counterclockwise</b>
Mounting	<b>Resilient Rings</b>	Motor Orientation	<b>Horizontal</b>
Drive End Bearing	<b>Ball</b>	Opp Drive End Bearing	<b>Ball</b>
Frame Material	<b>Rolled Steel</b>	Shaft Type	<b>Single Special Extension</b>
Overall Length	<b>9 in</b>	Frame Length	<b>3.50 in</b>
Shaft Diameter	<b>0.500 in</b>	Shaft Extension	<b>4.06 in</b>
Assembly/Box Mounting	<b>F1 Only</b>		
Outline Drawing	<b>A-SS403800-350</b>	Connection Diagram	<b>6906496</b>

This is an uncontrolled document once printed or downloaded and is subject to change without notice. Date Created: 06/29/2018

TERM. END



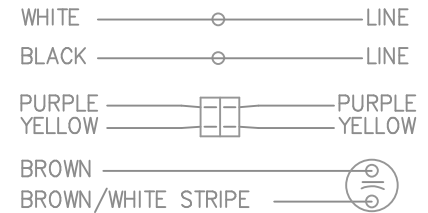
LEAD DESCRIPTION:

1 BLACK AND 1 WHITE LEAD WITH .50 BARE WIRE STRIP. 36.00 TO 39.00 LONG.

2 BROWN LEADS WITH .25 FLAG-TYPE QUICK CONNECTS 36.00 TO 39.00 LONG. WHITE MARKED LEAD IS COMMON TO WHITE.

REVERSING LEADS ARE MOLDED INTO MATING PULL APART PLUGS. 1 YELLOW & 1 PURPLE LEAD PER PLUG. 4.00 TO 6.00 LONG

CW ROTATION - SHAFT END SHOWN TO REVERSE, CONNECT PURPLE TO YELLOW, AND YELLOW TO PURPLE.



DASH	FR.	C	A
350	48Y	9.00	4.00
375	48Y	9.25	4.25

TOLERANCES UNLESS SPECIFIED

DEC. INCHES

.X ±.1

.XX ±.03

.XXX ±.005

.XXXX ±.0005

ANG ±7'30"



TITLE OUTLINE

MAT'L.

FINISH

DRAWN SP 01-07-2009

CHK NB 01-07-2009

APPD SP 01-07-2009

SCALE 3=8

REF SS73918

FMF 07-2426

PREV

NO.	REVISION	BY & DATE	CHK	ANG

THIS DRAWING IN DESIGN AND DETAIL IS OUR PROPERTY AND MUST NOT BE USED EXCEPT IN CONNECTION WITH OUR WORK ALL RIGHTS OF DESIGN AND INVENTION ARE RESERVED THIS IS AN ELECTRONICALLY GENERATED DOCUMENT - DO NOT SCALE THIS PRINT

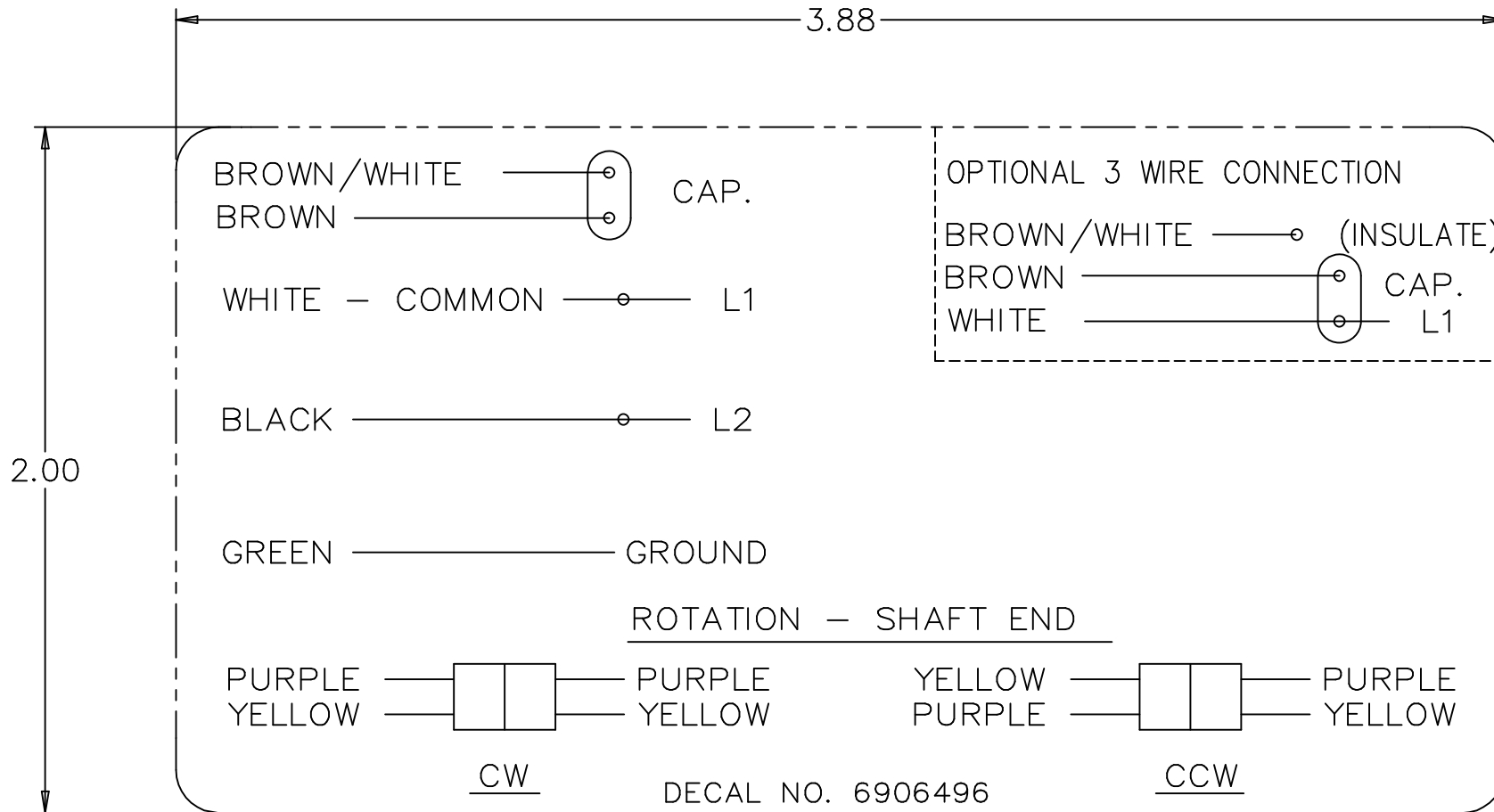
RFP 01-07-2009

DIST WP

CAD FILE SS403800

SIZE DRAWING NO. PAGE OF REV.

A SS403800



NO.	REVISION	BY & DATE	CHK	TOLERANCES UNLESS SPECIFIED		FINISH	DRAWING NO.	PAGE	OF	REV.			
				DEC.	INCHES								
4	ADDED DIM. TO DECAL	RDH 09/22/2003	ML	.X	±.1								
3	REMOVED 'MARATHON ELECTRIC' CN 35106	DRS 05-01-2002	TOM	.XX	±.02								
2	PART NAME WAS CONNECTION DIAGRAM CN 25669	MRB 04-23-1998		.XXX	±.005								
1	NEW DRAWING CN 25669	MRB 04-22-1998		.XXXX	±.0005								
				ANG	±7'30"								
THIS DRAWING IN DESIGN AND DETAIL IS OUR PROPERTY AND MUST NOT BE USED EXCEPT IN CONNECTION WITH OUR WORK ALL RIGHTS OF DESIGN AND INVENTION ARE RESERVED THIS IS AN ELECTRONICALLY GENERATED DOCUMENT - DO NOT SCALE THIS PRINT						RFP	CAD FILE 6906496		SIZE	DRAWING NO.	PAGE	OF	REV.
						DIST WP			A	6906496			4



DRAWN MRB 04-16-1998  
 CHK ML 04-22-1998  
 APPD GK 04-22-1998  
 TITLE CONNECTION DECAL  
 SCALE 1=1  
 REF  
 FMF  
 PREV

