

# PRODUCT INFORMATION PACKET

Model No: 056H17T2001  
Catalog No: Y592  
1/4, 1800, TENV, 56C, 3/60/230/460  
1000:1 Speed Ratio



Regal and Marathon are trademarks of Regal Beloit Corporation or one of its affiliated companies.  
©2019 Regal Beloit Corporation, All Rights Reserved. MC017097E





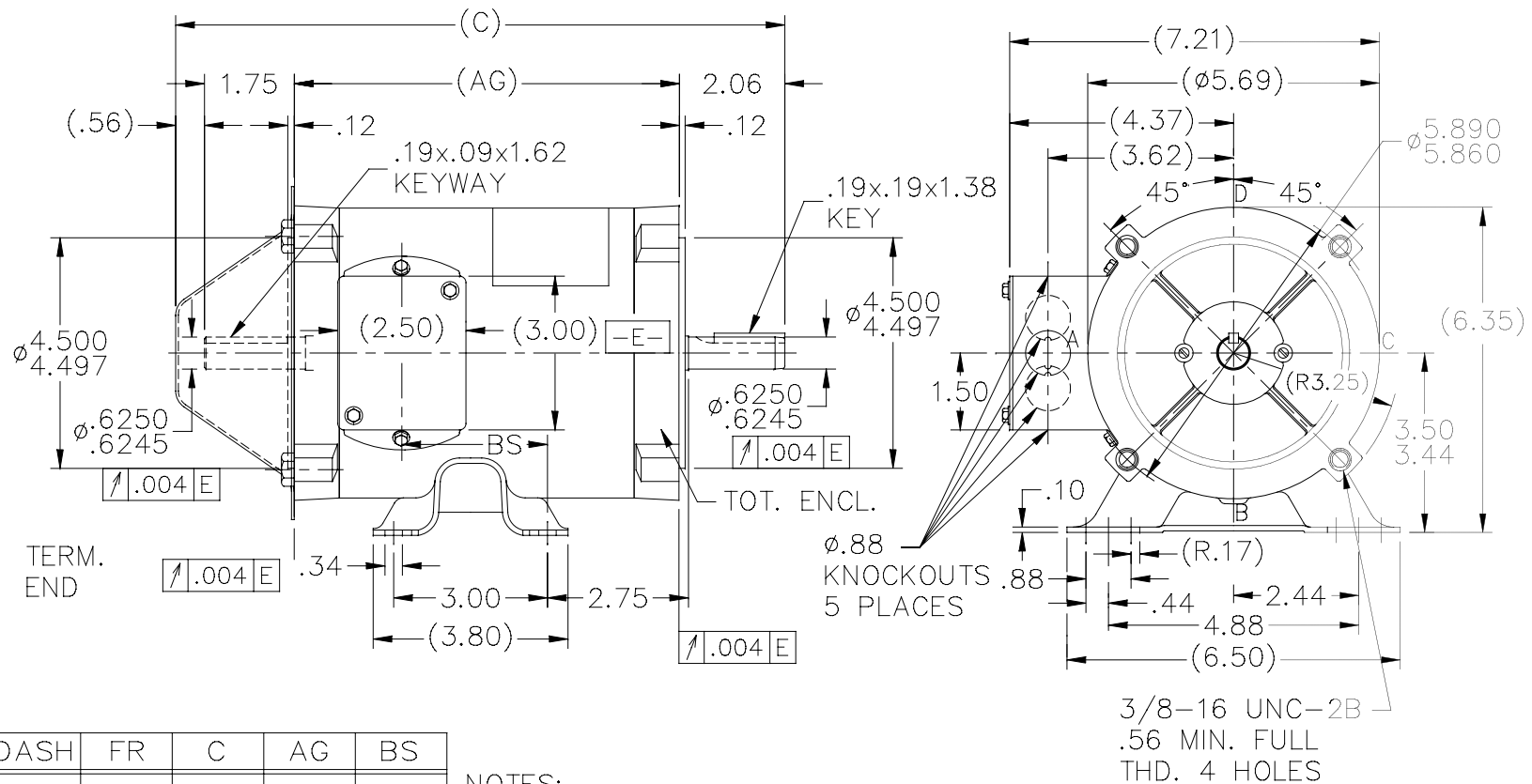
### Nameplate Specifications

Output HP	<b>0.25 HP</b>	Output KW	<b>0.19 kW</b>
Frequency	<b>60 Hz</b>	Voltage	<b>230/460 V</b>
Current	<b>1.2/0.58 A</b>	Speed	<b>1725 RPM</b>
Service Factor	<b>1</b>	Phase	<b>3</b>
Efficiency	<b>70 %</b>	Duty	<b>Continuous</b>
Insulation Class	<b>F</b>	Design Code	<b>INV</b>
KVA Code	<b>P</b>	Frame	<b>56C</b>
Enclosure	<b>Totally Enclosed Non Ventilated</b>	Overload Protector	<b>No</b>
Ambient Temperature	<b>40 °C</b>	Drive End Bearing Size	<b>6203</b>
Opp Drive End Bearing Size	<b>6203</b>	UL	<b>Recognized</b>
CSA	<b>Y</b>	CE	<b>Y</b>
IP Code	<b>43</b>		

### Technical Specifications

Electrical Type	<b>Squirrel Cage Inverter Duty</b>	Starting Method	<b>Inverter Only</b>
Poles	<b>4</b>	Rotation	<b>Reversible</b>
Mounting	<b>Rigid Base</b>	Motor Orientation	<b>Horizontal</b>
Drive End Bearing	<b>Ball</b>	Opp Drive End Bearing	<b>Ball</b>
Frame Material	<b>Rolled Steel</b>	Shaft Type	<b>NEMA 56</b>
Overall Length	<b>11.88 in</b>	Frame Length	<b>5.75 in</b>
Shaft Diameter	<b>0.625 in</b>	Shaft Extension	<b>2.06 in</b>
Assembly/Box Mounting	<b>F1 Only</b>		
Outline Drawing	<b>A-SS403151-575</b>	Connection Diagram	<b>A-EE7308T</b>

SS403151




DASH	FR	C	AG	BS
575	56	11.88	7.50	2.84

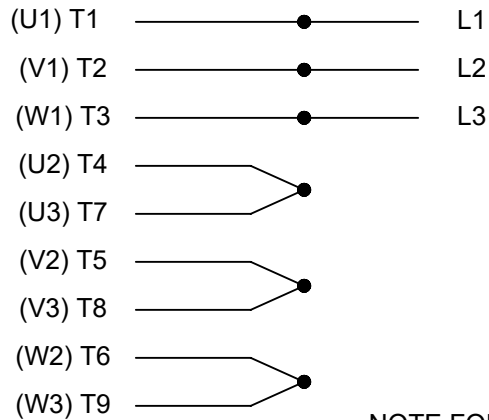
NOTES:  
 1- NAMEPLATE LOCATED AT 'D' TO BE READ FROM TERMINAL END

3/8-16 UNC-2B  
 .56 MIN. FULL THD. 4 HOLES

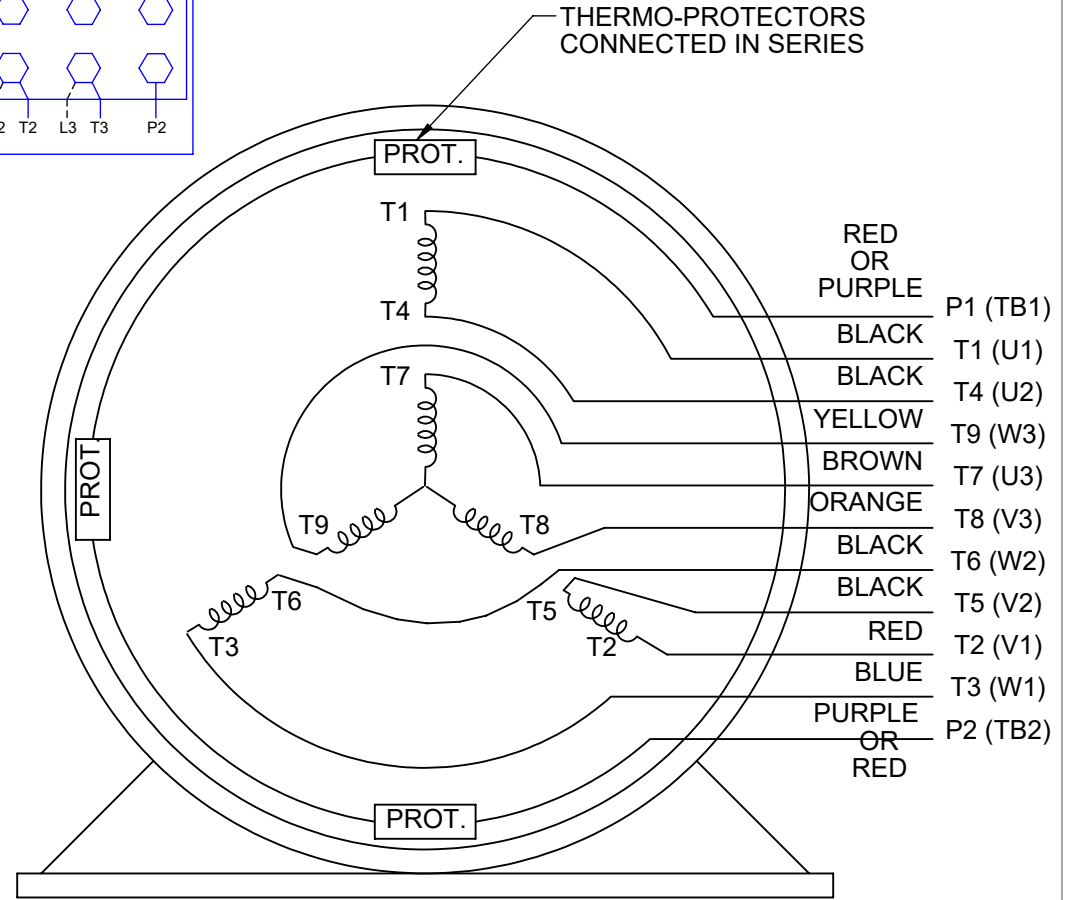
FACE MOUNTING DIMENSIONS ARE TYPICAL FOR EACH END

		TOLERANCES UNLESS SPECIFIED		 <b>Regal Beloit America, Inc.</b>		DRAWN TJB 06-04-2001	
		DEC.	INCHES			CHK	ML 06-26-2001
		.X	±.1			APPD	GK 06-26-2001
		.XX	±.03			SCALE	11=32
2	REDRAWN IN AUTOCAD	TAT	06-24-2005	DRS	.XXX ±.005	TITLE	OUTLINE
1	NEW DRAWING	TJB	06-26-2001		.XXXX ±.0005		56 FRAME
NO.	REVISION	BY & DATE		CHK	ANG ±'30"	MAT'L.	
THIS DRAWING IN DESIGN AND DETAIL IS OUR PROPERTY AND MUST NOT BE USED EXCEPT IN CONNECTION WITH OUR WORK ALL RIGHTS OF DESIGN AND INVENTION ARE RESERVED THIS IS AN ELECTRONICALLY GENERATED DOCUMENT - DO NOT SCALE THIS PRINT				RFP	ANG	FINISH	
				DIST	WP	CAD FILE	ss403151
		SIZE	A	DRAWING NO.	SS403151	PAGE	OF
						REV.	2

**HIGH VOLTAGE**

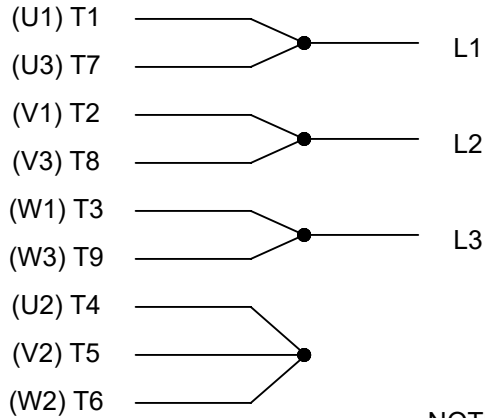


**THREE PHASE  
DUAL VOLTAGE MOTOR**



**NOTE FOR FACTORY USE ONLY:  
TO SURGE TEST FOR COMMON CONNECT:  
HIGH VOLT: CONNECT P1 TO T1  
THEN P2 TO L1  
LOW VOLT: CONNECT P1 TO T1 & T7,  
THEN P2 TO L1**

**LOW VOLTAGE**



**VIEW OF TERMINAL END**

**NOTE: LEAD'S COLOR CAN BE YELLOW OR WHITE FOR MT2 PLANT**

DRAWING REVISION T	REVISION BY ZR	DATE 01-14-2019		DRAWN BY SMC	Regal Beloit America, Inc.
ECO ECO-0159915	APPROVED BY DR	DATE 01-15-2019		DATE 05-13-1992	
ECO DESCRIPTION <b>ADDED TERMINAL CONNECTION DIAGRAM</b>				APPROVED BY TB	DESCRIPTION <b>CONN DIAGRAM-INTERNAL</b> 3 PHASE - DUAL VOLTAGE MOTOR
<small>COPYRIGHT REGAL BELOIT AMERICA, INC. ALL RIGHTS RESERVED. PROPRIETARY AND CONFIDENTIAL INFORMATION - THIS DOCUMENT IS THE PROPERTY OF REGAL BELOIT AMERICA, INC. ("OWNER") AND CONTAINS OWNER'S PROPRIETARY INFORMATION. ANY PERSON, CORPORATION OR OTHER FIRM RECEIVING IT IS DEEMED, BY RECEIVING IT, TO AGREE THAT IT, AND/OR ANY PART OF IT, SHALL NOT BE DISCLOSED TO ANY PERSON, CORPORATION OR OTHER ENTITY, DUPLICATED, AND/OR USED, EXCEPT AS EXPRESSLY APPROVED IN WRITING IN ADVANCE BY OWNER. THIS DOCUMENT SHALL BE RETURNED TO OWNER UPON REQUEST. IT MAY BE SUBJECT TO CERTAIN RESTRICTIONS UNDER APPLICABLE EXPORT CONTROL LAWS AND REGULATIONS.</small>				DATE 05-13-1992	MATERIAL
			REFERENCE EE7308/EE7300	THIRD ANGLE PROJECTION	SIZE A



STEARNS	P/N	NONE
56,000	NONE	
10 FT-LB	NONE V	NONE Hz

DATE: 06/28/2017 01:10:13 AM  
FORM 3531 REV.3 02/07/99  
\*\* Subject to change without notice.



**MARATHON ELECTRIC CORPORATION**  
TYPICAL PERFORMANCE CURVE for AC MOTOR

Customer

Curve at

460 Volts  
60 HZ  
0.25 HP

HP 0.25

PHASE 3

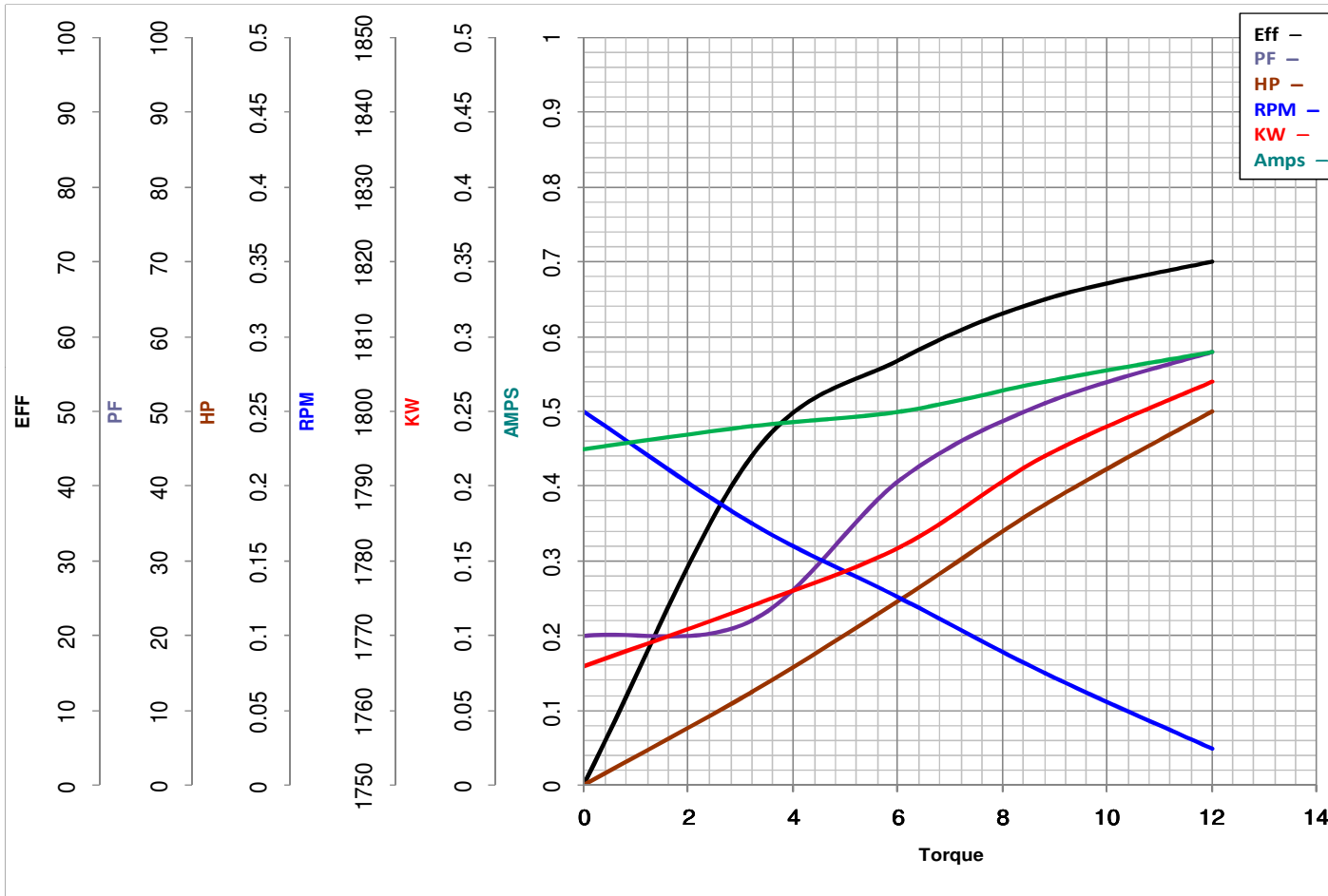
Model No 56H17T2001

VOLTS 230/460

Catalog No Y592

HZ 60

RPM 1725



Torque in Oz.Ft

FL TORQUE 12 Oz.Ft  
BD TORQUE 72.0 Oz.Ft  
LR TORQUE 64 Oz.Ft

FL AMPS 1.15/58  
PU TORQUE 57.6 Oz.Ft  
LR AMPS 4.2

WINDING TE48427-4

Date 1/24/2019