

PRODUCT INFORMATION PACKET

Model No: 5KCR49PN3011

Catalog No: C420

3/4-1/4 HP 2 speed Fan and Blower HVAC/R Motor, 1 phase, 1800/1800 RPM, 115 V, 56 Frame, ODP
Self Cooled Motors



Regal and Marathon are trademarks of Regal Beloit Corporation or one of its affiliated companies.
©2020 Regal Beloit Corporation, All Rights Reserved. MC017097E

REGAL

Nameplate Specifications

Output HP	3/4-1/4 Hp	Output KW	0.56 kW
Frequency	60 Hz	Voltage	115 V
Current	9.0,6.4 A	Speed	1725/1140 rpm
Service Factor	1.25	Phase	1
Efficiency	70 %	Power Factor	84.7
Duty	Continuous	Insulation Class	B
KVA Code	J	Frame	56
Enclosure	Drip Proof	Thermal Protection	N/R
Ambient Temperature	40 °C	Drive End Bearing Size	6203
Opp Drive End Bearing Size	6203	UL	Recognized
CSA	Yes	CE	N

Technical Specifications

Electrical Type	Capacitor Start Capacitor Run	Starting Method	SM
Poles	4	Rotation	Counterclockwise/Clockwise
Mounting	Resilient Base	Motor Orientation	ANY
Drive End Bearing	BALL	Opp Drive End Bearing	Ball
Frame Material	Rolled Steel	Overall Length	11.48 in
Frame Length	7.15 in	Shaft Diameter	0.630 in
Shaft Extension	1.88 in	Thru-bolts Extension	0 in
Connection Drawing	52A106478AA	Outline Drawing	52A109607P1

This is an uncontrolled document once printed or downloaded and is subject to change without notice. Date Created:03/11/2020



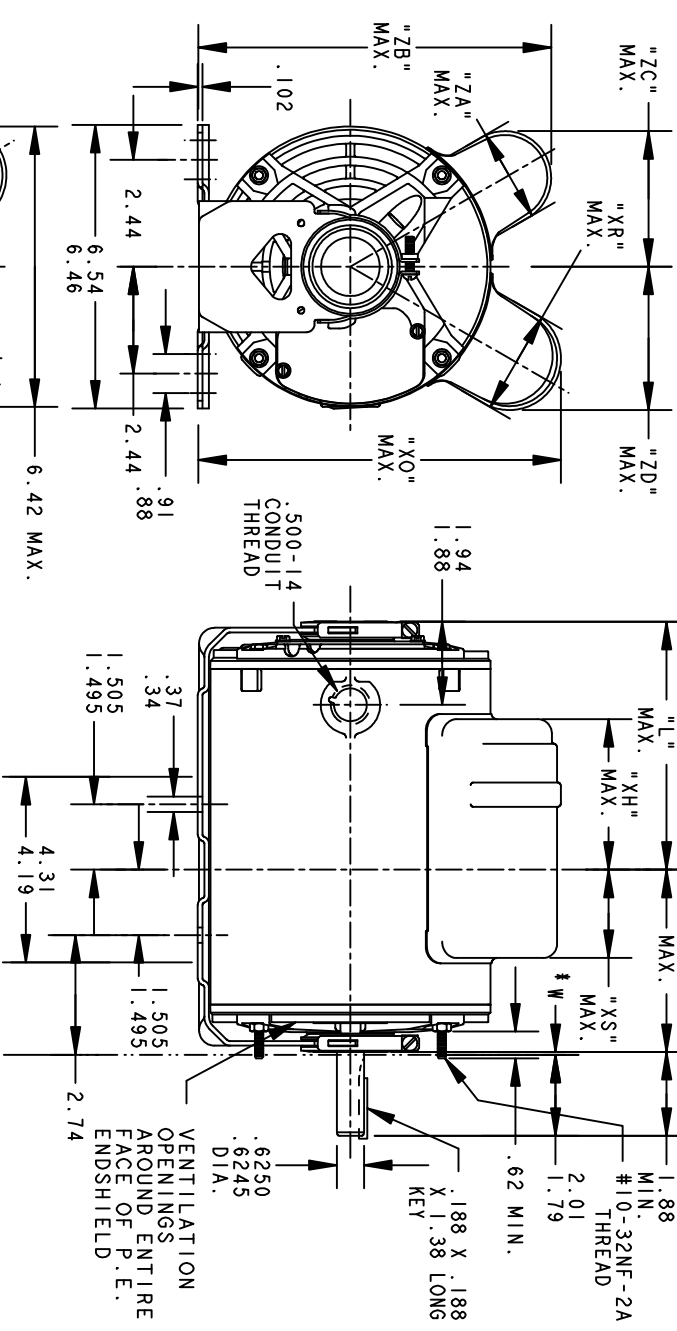
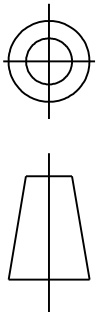
REVISIONS

THIRD ANGLE PROJECTION		REVOLUTIONS		
REV.	DESCRIPTION	DATE	APPROVED	
6	ADDED PT#6 PER DS11-1413 REDESIGN	06/15/2011	BHASKAR	

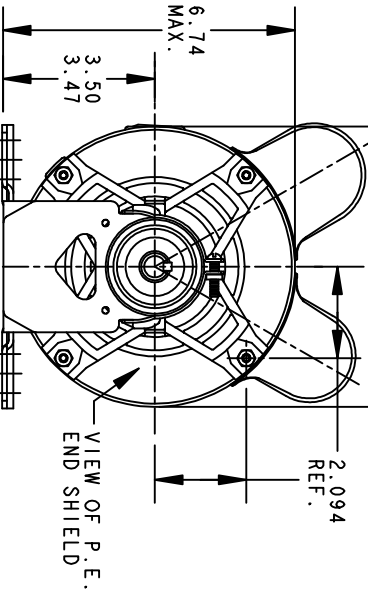
SHEET 1

52A109607

DRAWING NO. A



* W IS A VARIABLE CLEARANCE DUE TO VARIATIONS IN PARTS AND ASSEMBLY



6	KCR	49	56	12.01	6.75	3.62	8.16	2.10	2.30	2.10	8.16	3.15	3.15	7.68
5	KCR	48	56	12.54	6.50	4.37	7.92	1.60	2.39	2.10	8.16	3.15	3.16	8.43
4	KC	46	56	10.78	4.62	2.92	7.81	1.60	2.82	2.15	8.18	3.20	2.89	6.55
3	KCR	49	56	12.01	5.75	3.62	7.74	1.60	2.30	2.10	8.16	3.15	2.80	7.68
2	KCR	49	56	11.48	5.22	3.48	8.16	2.40	2.26	2.10	8.16	3.15	3.30	7.15
1	KCR	49	56	11.48	5.22	3.48	7.56	1.60	2.26	2.10	8.16	3.15	3.09	7.15
P	TYPE	GE SIZE	NEMA FR	"C"	"L"	"XH"	"XO"	"XR"	"XS"	"ZA"	"ZB"	"ZC"	"ZD"	MIN. SHELL

SIGNATURES		DATE
MODEL	MA MARKS	04/06/94
DETAIL		
CHECKED		
ENGRG		
MFG		
QUALITY		
ISSUED	M.D. PAPE	02/11/00

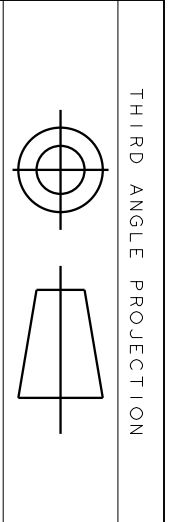
REGAL-BELOIT CORPORATION

OUTLINE

40 FRAME REDESIGN - GENERAL PURPOSE MOTOR - DRIP PROOF - BALL BEARING - RESILIENT BASE FMF: SKCR49PN3012X

FOR ADDITIONAL INFO REFER TO:		
APPLIED PRACTICES	QUALITY	
DIMENSIONS ARE IN INCHES	ISSUED	M.D. PAPE 02/11/00
MATERIAL	SOLID MODEL:	52A109607

TITLE		SCALE:	REF. No.:	SHEET
40 FRAME REDESIGN - GENERAL PURPOSE MOTOR - DRIP PROOF - BALL BEARING - RESILIENT BASE FMF: SKCR49PN3012X		0.250		1 of 1
SIZE DRAWING		REV		
A		52A109607		



REV.	DESCRIPTION	DATE	APPROVED
5	UPDATED TO RBC FORMAT	01/09/06	MAM

EITHER ROTATION
 SINGLE VOLTAGE
 TYPE KC, KCR, OR KH
 2 SPEED
 POLE CHANGING

T1 OR BLUE

T2 OR WHITE

T8 OR RED

MAIN (HI)

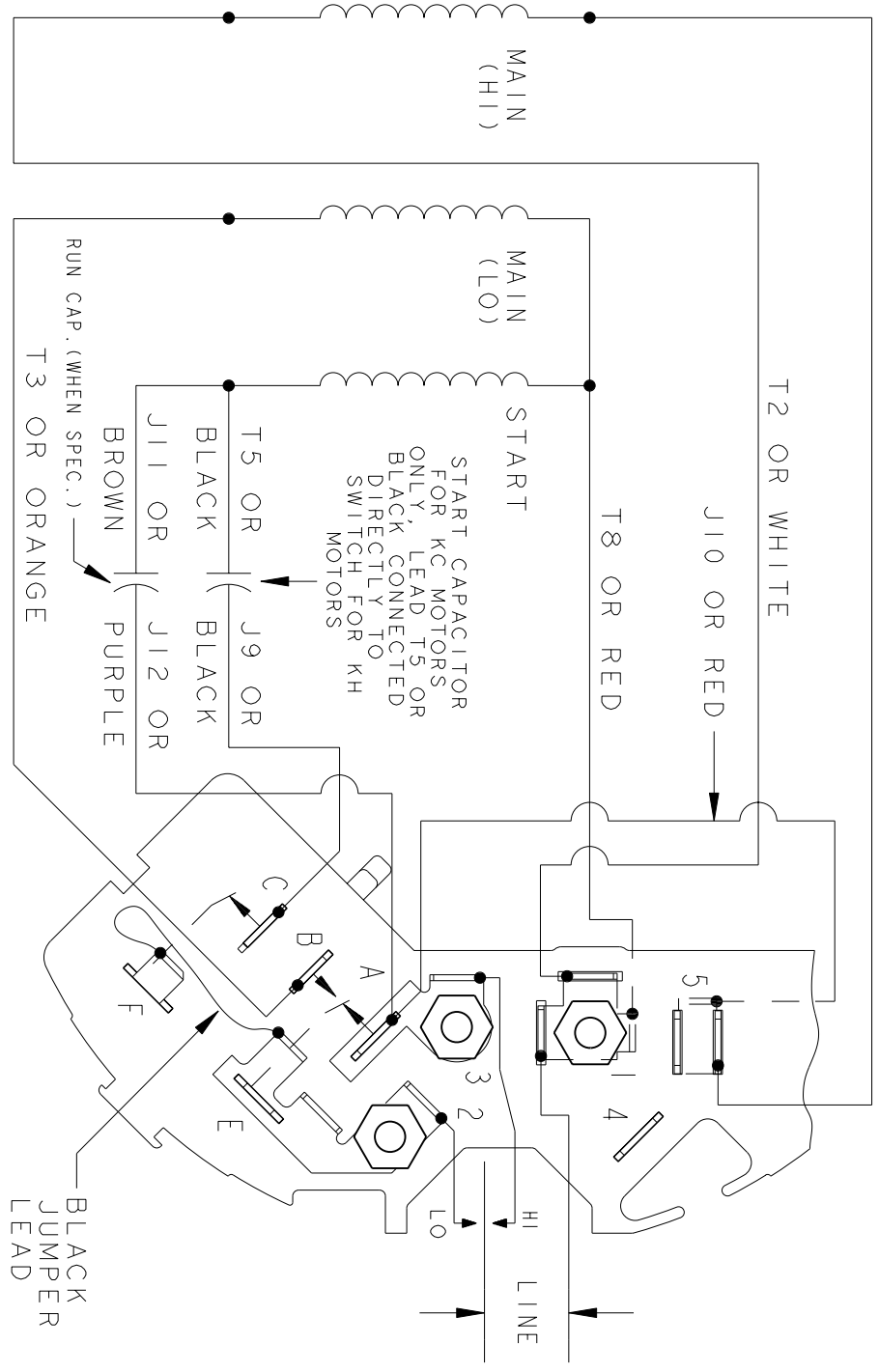
MAIN (LO)

START

START CAPACITOR
 FOR KC MOTORS
 ONLY, LEAD T5 OR
 BLACK CONNECTED
 DIRECTLY TO
 SWITCH FOR KH
 MOTORS

T5 OR BLACK
 J11 OR BROWN
 J9 OR BLACK
 J12 OR PURPLE
 RUN CAP. (WHEN SPEC.)
 T3 OR ORANGE

BLACK
 JUMPER
 LEAD



NOTE #1 - TO REVERSE ROTATION INTERCHANGE BLUE (T1) AND WHITE (T2) LEADS.
 NOTE #2 - WHEN MORE THAN ONE CAPACITOR IS USED CONNECT IN PARALLEL.

SWITCH (D) - 115D9558BA

CONNECTION LABEL - 52X332073

REF. DIAG. - 121A865

SIGNATURES	DATE
MODEL M.D.P.	12/14/87
DETAIL	
CHECKED	
ENGRG	
MFG	
QUALITY	
ISSUED	M.D.P. 12/14/87
APPLIED PRACTICES	
DIMENSIONS ARE IN INCHES	
MATERIAL	SOLID MODEL: 52A106478AA



REGAL-BELOIT CORPORATION

TITLE CONNECTION DIAGRAM

FMF: 5KH36KN114G

52A106478AA

REV 5

SCALE: 1.000 REF. No.

SHEET 1 of 1