

PRODUCT INFORMATION PACKET

Model No: 048S34S361
Catalog No: O100
1/7,3450,SEMI,48M,1/60/115
Single Phase



Regal and Marathon are trademarks of Regal Beloit Corporation or one of its affiliated companies.

©2018 Regal Beloit Corporation, All Rights Reserved. MC017097E





Nameplate Specifications

| | | | |
|----------------------------|----------------------|------------------------|-----------------------|
| Output HP | 0.14 Hp | Output KW | 0.11 kW |
| Frequency | 60 Hz | Voltage | 115 V |
| Current | 2.3 A | Speed | 3450 rpm |
| Service Factor | 1 | Phase | 1 |
| Efficiency | 46.5 % | Duty | Continuous |
| Insulation Class | B | Design Code | NO DESIGN CODE |
| KVA Code | V | Frame | 48MZ |
| Enclosure | Semi Enclosed | Overload Protector | Manual |
| Ambient Temperature | 40 °C | Drive End Bearing Size | 6203 |
| Opp Drive End Bearing Size | 6203 | UL | Recognized |
| CSA | Y | CE | N |
| IP Code | 10 | | |

Technical Specifications

| | | | |
|-------------------|---------------------|-----------------------|---------------------------------|
| Electrical Type | Split Phase | Starting Method | Across The Line |
| Poles | 2 | Rotation | Selective Clockwise |
| Mounting | Round | Motor Orientation | Horizontal |
| Drive End Bearing | Sleeve | Opp Drive End Bearing | Sleeve |
| Frame Material | Rolled Steel | Shaft Type | Single Special Extension |
| Overall Length | 7.7 in | Shaft Diameter | 0.500 in |
| Shaft Extension | 1.84 in | Assembly/Box Mounting | F1 Only |
| Outline Drawing | 52A107152P6 | Connection Diagram | 52A105379CA |

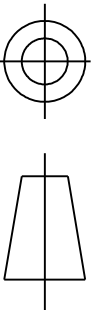
This is an uncontrolled document once printed or downloaded and is subject to change without notice. Date Created: 06/29/2018

REVISIONS

| REV. | DESCRIPTION | DATE | APPROVED |
|------|---|----------|----------|
| 3 | CUST. HOLES WERE 0.380/0.365 T195-21666 | 02/24/95 | M.D.PAPE |
| 4 | ADDED PART #6 | 01/28/05 | DURGA |
| 5 | ADDED PE EXTENSION | 02/01/06 | PMB |

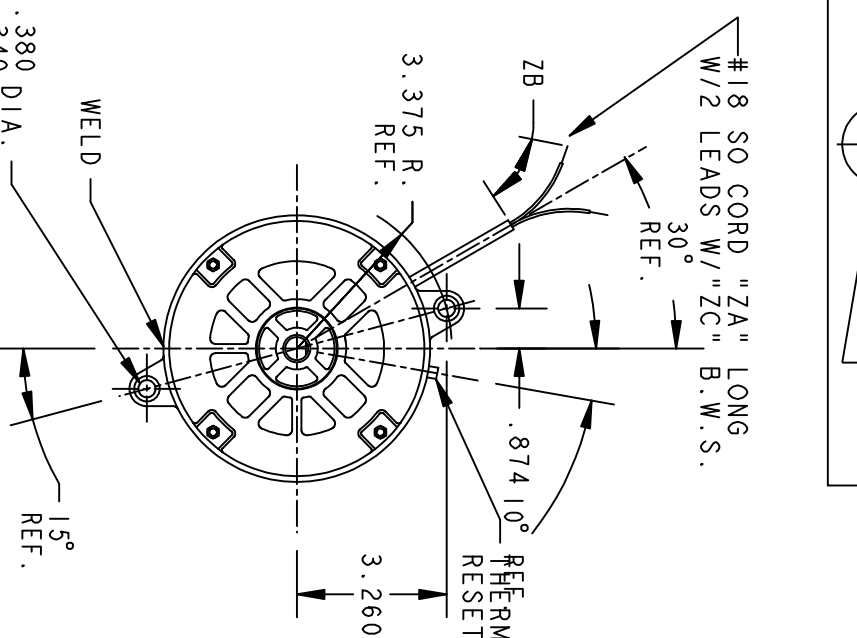
This document is the property of REGAL-BELOIT CORPORATION ("RBC") including its subsidiaries and divisions and contains proprietary information of RBC. It is to be controlled and used only by those employees of RBC who are authorized in writing to do so. It is to be controlled and used only by those employees of RBC who are authorized in writing to do so. The information shall be held in confidence and shall not be disclosed to any other person without the express written consent of RBC, and that the information shall be held in confidence only as operated expressly by RBC. Any disclosure shall be held in violation of RBC's proprietary information policy and shall be subject to the restrictions under RBC's export control laws and regulations.

THIRD ANGLE PROJECTION

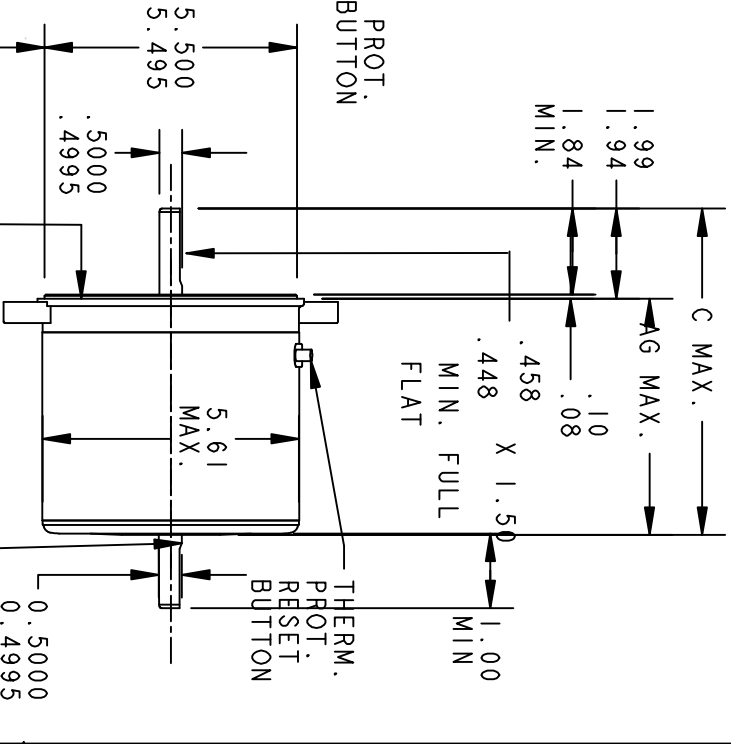


52A107152

SIZE A DRAWING NO.



(2 HOLES). THESE HOLES FIT A GAGE HAVING A RABBET 5.5005 DIA. AND 2 PINS .3309 DIA. LOCATED ON THE BASIC HOLE POSITIONS.



ECCENTRICITY OF THIS SURFACE (WITH INDICATOR MOUNTED STATIONARY RELATIVE TO SHAFT) MUST NOT EXCEED .006 T.I.R.

FACE RUNOUT (WITH INDICATOR MOUNTED STATIONARY RELATIVE TO SHAFT) MUST NOT EXCEED .006 T.I.R.

| P | GE SIZE | TYPE | NEMA FR | AG | C | DATE | DATE |
|---|---------|------|---------|------|------|------------|------|
| 1 | 39 | KH | 48M | 5.49 | 7.50 | 11.50/9.50 | |
| | | | | | | 4.25/3.75 | |
| | | | | | | 0.69/0.57 | 4.43 |

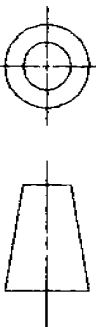
| FOR ADDITIONAL INFO REFER TO: | | SIGNATURES | | DATE |
|-------------------------------|-------------------------|------------|--|------|
| APPLIED PRACTICES | MODEL | | | |
| DIMENSIONS ARE IN INCHES | DETAIL | | | |
| TOLERANCE ON: | CHECKED | | | |
| 1 PL DECIMALS ± 0.1 | ENGRG | | | |
| 2 PL DECIMALS ± 0.01 | WF6 | | | |
| 3 PL DECIMALS ± 0.005 | QUALITY | | | |
| ANGLES ± 0.5 | ISSUED | | | |
| FINISH | SOLID MODEL: MODEL NAME | | | |

| SIZE | DRAWING | SCALE | DRAWING SCALE | REV |
|------|---------|--------|---------------|------------|
| A | A | SCALE: | DRAWING SCALE | SK06A40107 |



REGAL-BELOIT CORPORATION

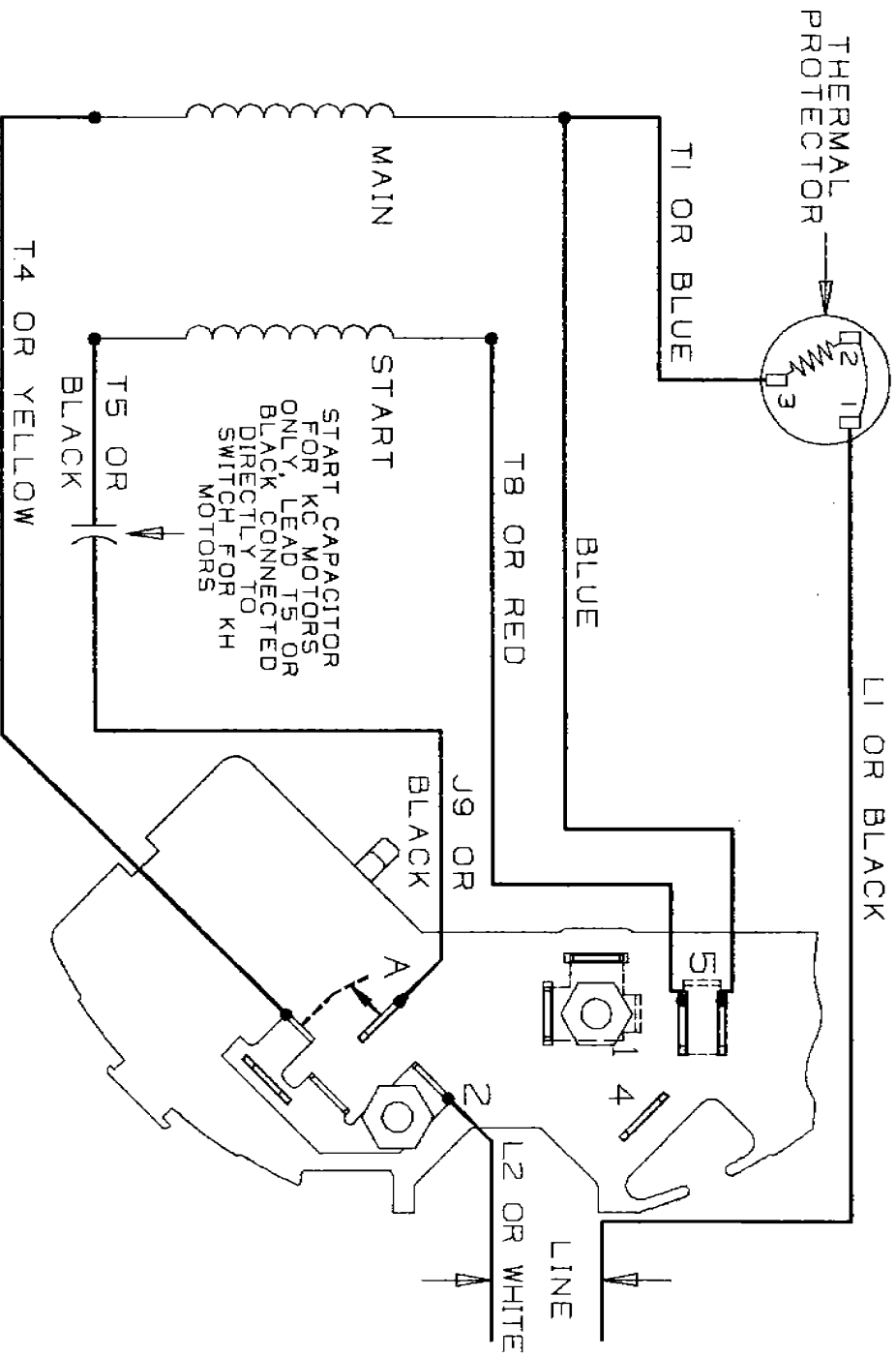
THIRD ANGLE PROJECTION



REVISIONS

| REV | DESCRIPTION | DATE | APPROVED |
|-----|-----------------------|----------|----------|
| 1 | REVISED BOARD OUTLINE | 03/28/88 | M.D.PAPE |

EITHER ROTATION W/LEADS OUT - SINGLE VOLTAGE
 TYPE KC OR KH WITH
 THERMAL PROTECTOR



NOTE #1 - TO REVERSE ROTATION INTERCHANGE RED (T8) AND BLACK (J9-KC OR T5-KH) LEADS.
 NOTE #2 - WHEN MORE THAN ONE CAPACITOR IS USED CONNECT IN PARALLEL.

REF. DIAG. - NONE
 CONNECTION LABEL - 52X332078

UNLESS OTHERWISE SPECIFIED
 DIMENSIONS ARE IN INCHES
 TOLERANCES ON:
 2 PL DECIMALS ±
 3 PL DECIMALS ±
 4 PL ±
 5 PL ±
 6 PL ±
 7 PL ±
 8 PL ±
 9 PL ±
 10 PL ±
 APPLIED PRACTICES: ✓

| SIGNATURES | DATE |
|---------------|----------|
| DRAWN MDPAPE | 02/02/88 |
| CHECKED | |
| ENGRG | |
| ISSUED MDPAPE | 02/02/88 |

GENERAL ELECTRIC
 MOTOR BUSINESS GROUP
 FORT WAYNE, INDIANA
 TITLE
CONNECTION DIAGRAM
 FME - 5KH39BN5010GY

| |
|--------------------------|
| CAD NO. F30:A105379CA |
| FILE D-57 |

| | | |
|-----------|--------------|--------------------|
| SIZE A | FSCM NO 9226 | DWG NO 52A105379CA |
| SCALE 1:1 | | SHEET 1 OF 1 |