

PRODUCT INFORMATION PACKET

marathon[®]
Motors

Model No: 5KC46LN0269X

Catalog No: 4686

3/4 HP Fan and Blower HVAC/R Motor, 1 phase, 1800 RPM, 115/208-230 V, 56Z Frame, ODP
Self Cooled Motors



Regal and Marathon are trademarks of Regal Beloit Corporation or one of its affiliated companies.
©2020 Regal Beloit Corporation, All Rights Reserved. MC017097E

REGAL

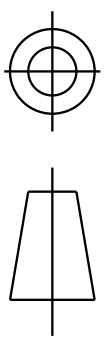
Nameplate Specifications

Output HP	0.75 Hp	Output KW	0.56 kW
Frequency	60 Hz	Voltage	115/208-230 V
Current	13.3,6.5-6.6 A	Speed	1725 rpm
Service Factor	1.25	Phase	1
Efficiency	70 %	Power Factor	0
Duty	Continuous	Insulation Class	B
KVA Code	L	Frame	56Z
Enclosure	Drip Proof	Thermal Protection	AUTO
Ambient Temperature	40 °C	Drive End Bearing Size	6203
Opp Drive End Bearing Size	6203	UL	Recognized
CSA	Yes	CE	N

Technical Specifications

Electrical Type	Capacitor Start Induction Run	Starting Method	SM
Poles	4	Rotation	Counterclockwise/Clockwise
Mounting	Resilient Base	Motor Orientation	ANY
Drive End Bearing	BALL	Opp Drive End Bearing	Ball
Frame Material	Rolled Steel	Overall Length	11.15 in
Frame Length	6.55 in	Shaft Diameter	0.630 in
Shaft Extension	2.25 in	Thru-bolts Extension	0 in
Connection Drawing	52A105383AA	Outline Drawing	52A107762P1

This is an uncontrolled document once printed or downloaded and is subject to change without notice. Date Created:03/11/2020

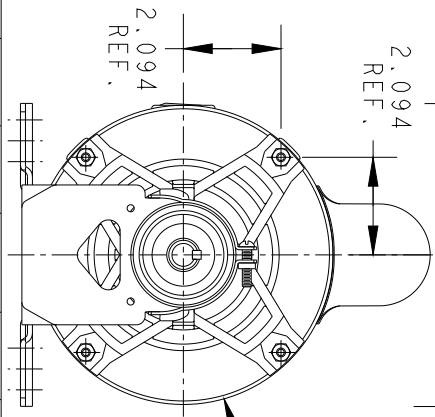
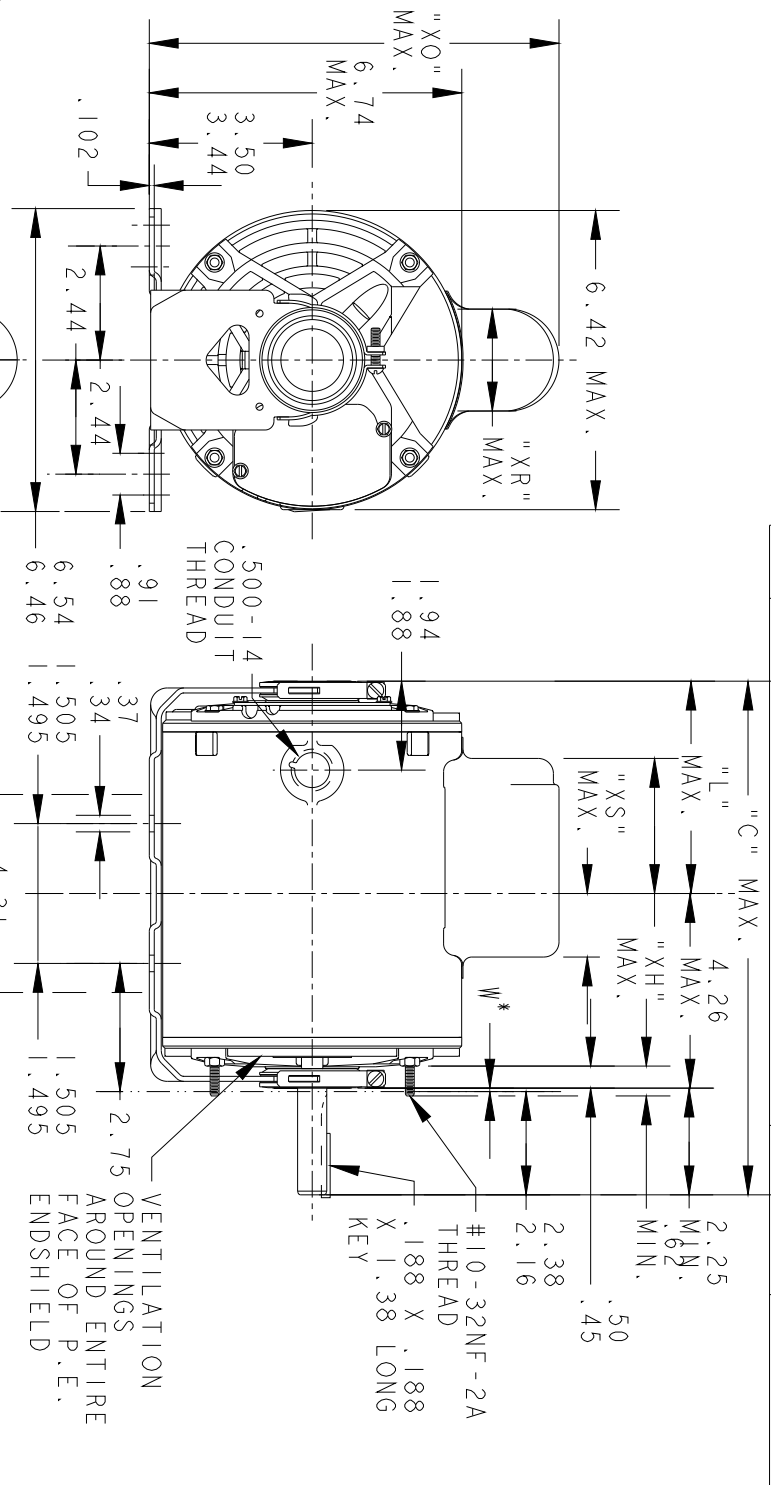


REVISIONS

REV.	DESCRIPTION	DATE	APPROVED
3	CHG TO RBC FORMAT PER IS05-1777	03/02/06	SUDHA
4	CHG "XS" DIMENSION PER IS08-2394	07/01/08	MADHU
5	"XH", "XS" DIM CHANGED AS PER IS12-1475	04/19/12	KOTI

52A107762 5

SIZE A DRAWING NO.



VIEW OF P.E. END SHIELD

ALL DIMENSIONS ARE IN INCHES

P	TYPE	FR SIZE	NEMA FR	"C"	"L"	"XH"	"XO"	"XR"	"XS"	MIN. SHELL
2	KC	49	56Z	11.75	5.22	1.75	8.22	1.60	3.45	7.15
1	KC	46	56Z	11.15	4.62	3.03	8.22	1.60	2.73	6.55



REGAL-BELOTT CORPORATION

OUTLINE

GENERAL PURPOSE MOTOR DRIP PROOF - BALL BEARING

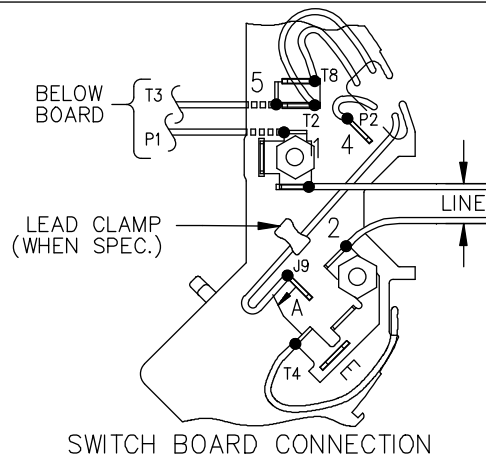
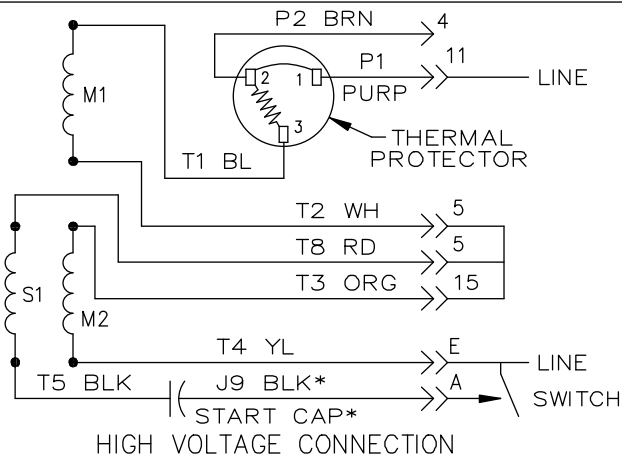
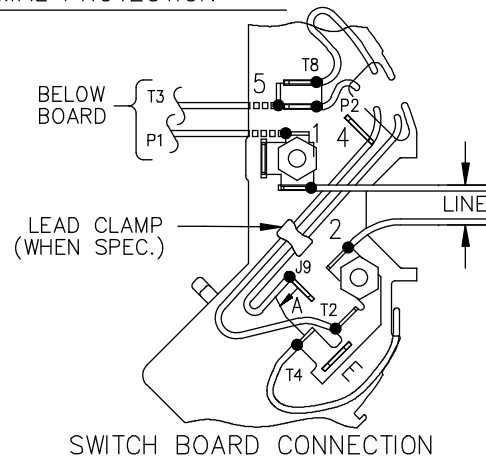
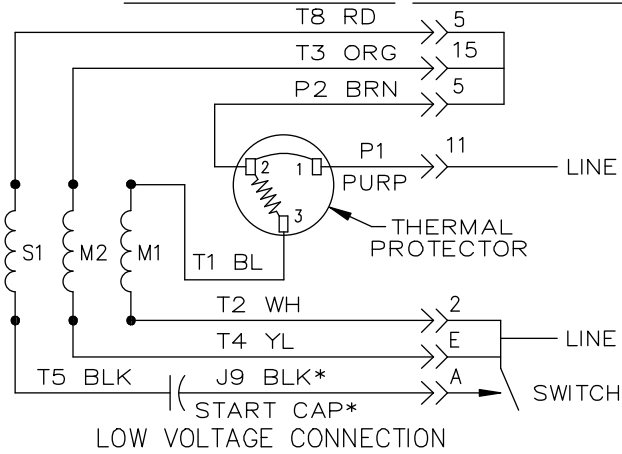
RESILIENT BASE EXTENDED CLAMP SCREWS FMF - 40 FRAME REDESIGN (SKC46A00060X)

SIGNATURES	DATE
MODEL M.D.PAPE	10/31/91
DETAIL	
CHECKED	
ENGRG	
MFG	
QUALITY	
ISSUED	MDP
05/24/96	

APPLIED PRACTICES	DIMENSIONS ARE IN INCHES	MATERIAL
FOR ADDITIONAL INFO REFER TO:	SOLID MODEL: 52A107762	
SCALE: 0.250	REF. No:	SHEET 1 of 1

52A107762 5

EITHER ROTATION, DUAL VOLTAGE, TYPE KC OR KH, WITH THERMAL PROTECTION



NOTE #1 - START CAP & J9 WHEN SPECIFIED (*). IF NO CAPACITOR (KH), CONNECT T5 DIRECTLY TO SWITCH (A). WHEN MORE THAN ONE CAPACITOR IS USED, CONNECT IN PARALLEL.

NOTE #2 - TO REVERSE ROTATION, INTER CHANGE RD(T8) AND BLK(J9-KC OR T5-KH) LEADS.

SWITCH REF. - 115D958AB	CONNECTION LABEL	CCW ROTATION: NP52X332051AA
		CW ROTATION: NP52X332051AC

NO.	REVISION	BY & DATE	CHK	TOLERANCES UNLESS SPECIFIED		FINISH	DRAWN M.D.P 06/29/87		
				DEC.	INCHES				
				.X	±0.1	REGAL-BELOIT CORPORATION TITLE CONNECTION DIAGRAM 30 FRAME SWITCH REDESIGN	CHK		
				.XX	±0.02		APPD M.D.P 03/26/96		
5	ADDED CONNECTION LABEL PER ECO-0030779	UD 02/06/13	PKG	.XXX	±0.005	MAT'L.	SCALE 1=1		
4	UPDATED PER ISO7-0150	MD 01/23/07		.XXXX	±0.0005		REF		
				ANG	±1.0	PREV			
THIS DRAWING IN DESIGN AND DETAIL IS OUR PROPERTY AND MUST NOT BE USED EXCEPT IN CONNECTION WITH OUR WORK. ALL RIGHTS OF DESIGN AND INVENTION ARE RESERVED. THIS IS AN ELECTRONICALLY GENERATED DOCUMENT - DO NOT SCALE THIS PRINT				RFP	CAD FILE	52A105383AA	SIZE A	DRAWING NO. 52A105383AA	REV. 5
				DIST					