

PRODUCT INFORMATION PACKET

Model No: 048A11O901

Catalog No: X056

0.13 HP 3 speed Fan and Blower HVAC/R Motor, 1 phase, 1200 RPM, 115 V, 48Y Frame, OPAO
Direct Drive Motors



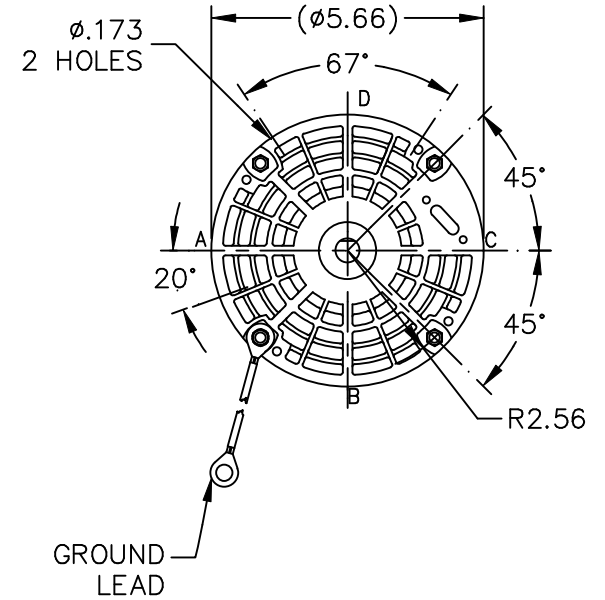
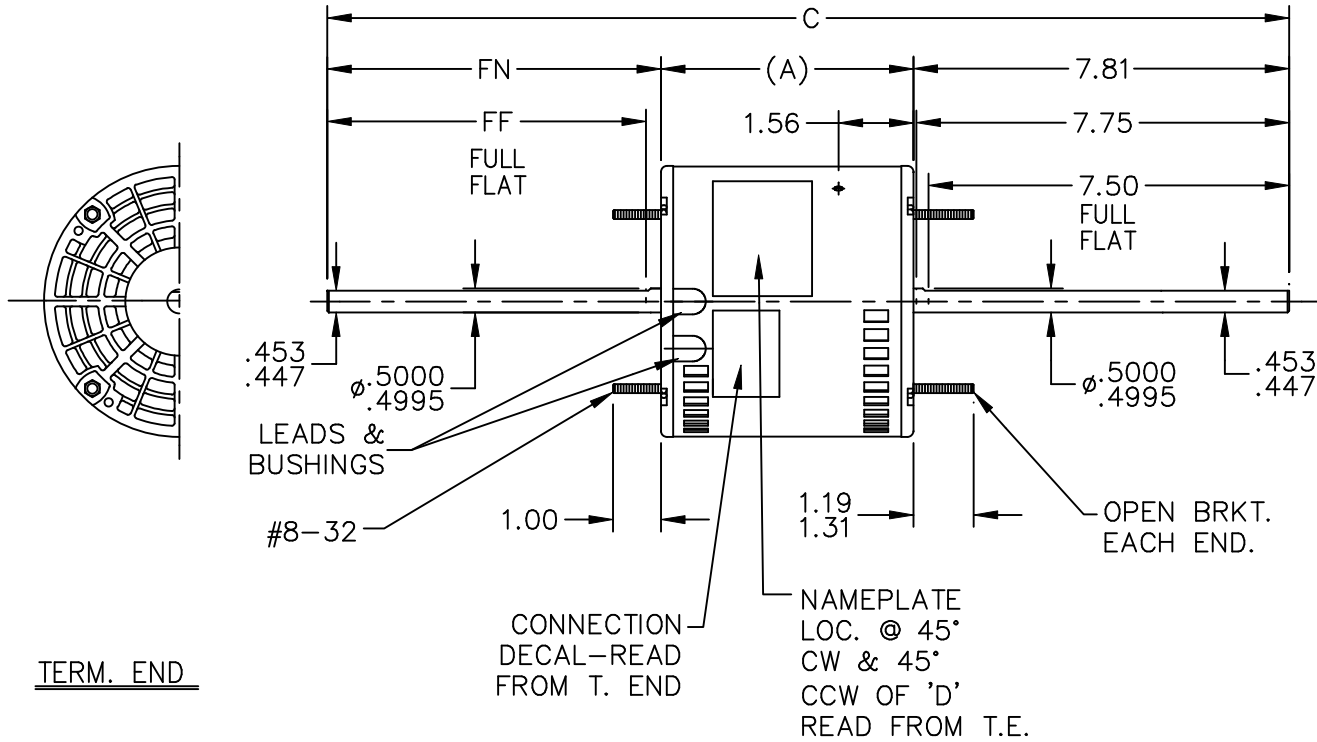
Nameplate Specifications

Output HP	0.13 Hp	Output KW	0.09 kW
Frequency	60 Hz	Voltage	115 V
Current	2.4 A	Speed	1075 rpm
Service Factor	1	Phase	1
Efficiency	51.7 %	Power Factor	82.5
Duty	Continuous	Insulation Class	B
Design Code	NO DESIGN CODE	KVA Code	D
Frame	48Y	Enclosure	Open Air Over
Thermal Protection	No	Ambient Temperature	40 °C
Drive End Bearing Size	6203	Opp Drive End Bearing Size	6203
UL	Recognized	CSA	Y
CE	N	IP Code	10

Technical Specifications

Electrical Type	Permanent Split Capacitor	Starting Method	Across The Line
Poles	6	Rotation	Fixed Counterclockwise
Resistance Main	0 Ohms	Mounting	Resilient Ring - Extended Studs
Motor Orientation	Horizontal	Drive End Bearing	Ball
Opp Drive End Bearing	Ball	Frame Material	Rolled Steel
Shaft Type	Special Extension Both Sides	Overall Length	20.00 in
Frame Length	3.50 in	Shaft Diameter	0.500 in
Shaft Extension	7.81 in	Assembly/Box Mounting	F1 ONLY
Connection Drawing	6906495	Outline Drawing	A-SS403655-350

This is an uncontrolled document once printed or downloaded and is subject to change without notice. Date Created:04/01/2021



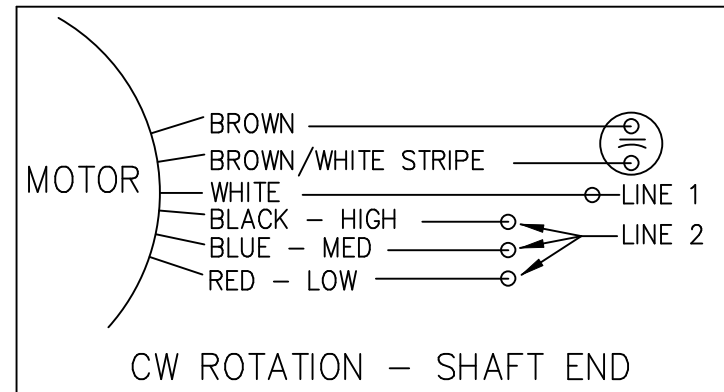
TERM. END

LEADS DESCRIPTION:

4 LEADS WITH .50" BARE WIRE STRIP
30.00" LONG WHITE, BLACK, BLUE, RED

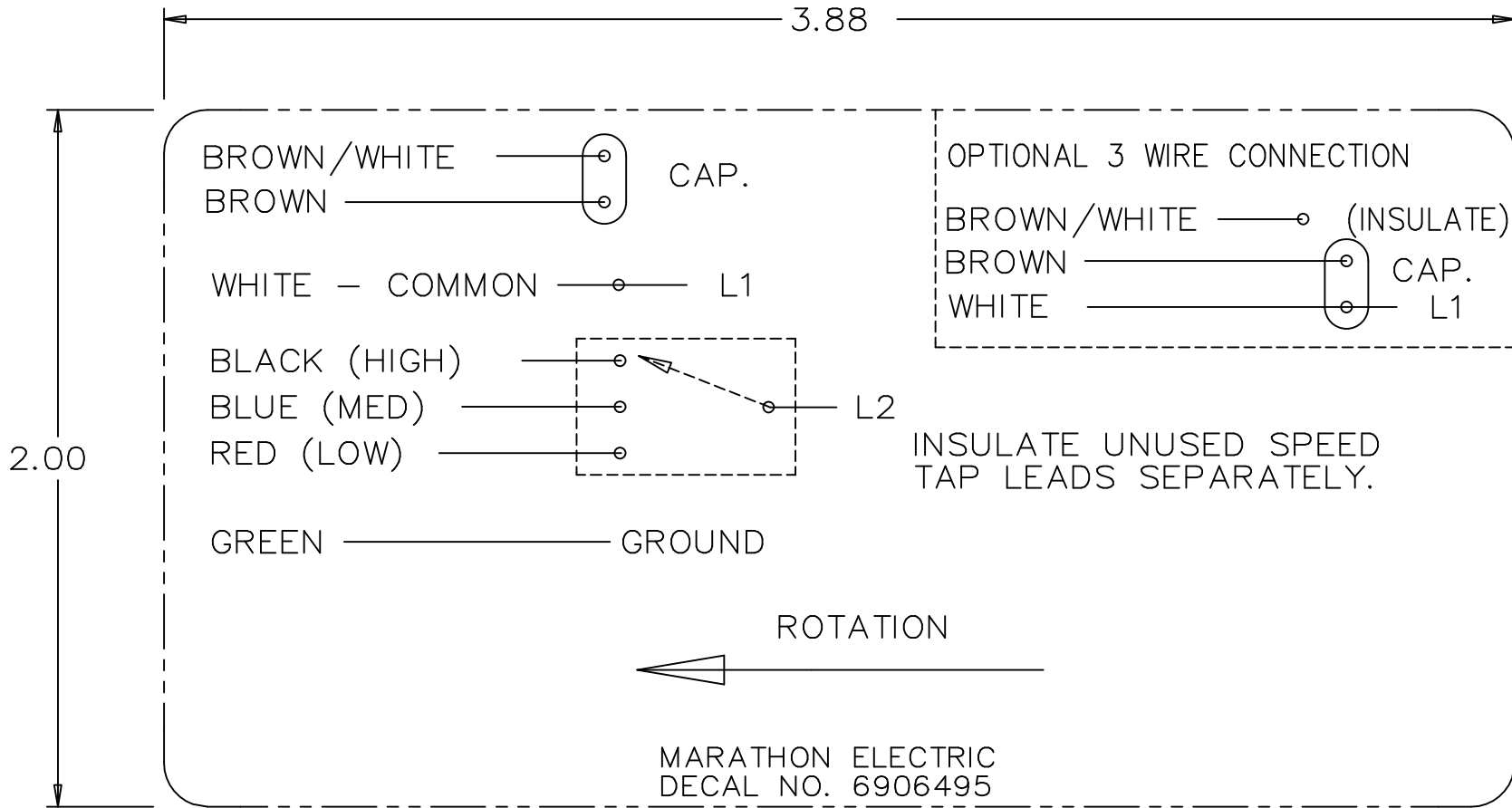
2 BROWN LEADS WITH .25" FLAG-TYPE
QUICK-30.00" LONG BROWN LEAD WITH
WHITE MARK IS COMMON TO WHITE LEAD

GRN. GRD. LEAD W/ TERM. FOR #10
SCREW 12.00" LONG



DASH	FR.	C	A	FN	FF
350	48Y	20.00	4.00	8.19	7.88
375	48Y	20.00	4.25	7.94	7.62
400	48Y	20.00	4.50	7.69	7.38
425	48Y	20.00	4.75	7.44	7.13

				TOLERANCES UNLESS SPECIFIED			DRAWN SP 11-22-2007			
				DEC.	INCHES		CHK NB 11-22-2007			
				.X	±.1		APPD NB 11-22-2007			
				.XX	±.03		SCALE 1=4			
				.XXX	±.005		REF			
				.XXXX	±.0005	TITLE OUTLINE	FMF 07-2082			
NO.	REVISION	BY & DATE	CHK	ANG	±7'30"	MAT'L.	PREV			
				RFP	11-22-2007	CAD FILE SS403655	SIZE A	DRAWING NO. SS403655	PAGE 1 OF 1	REV.
				DIST WP						



				TOLERANCES UNLESS SPECIFIED		REGAL-BELOIT <i>Motor Technologies</i>	DRAWN MRB 04-16-1998		
				DEC.	INCHES		CHK	ML 04-22-1998	
				.X	±.1		APPD	GK 04-22-1998	
3	REMOVED 'MARATHON ELECTRIC' CN 35106	DRS 05-01-2002	TOM	.XX	±	TITLE CONNECTION DECAL	SCALE	1=1	
2	PART NAME WAS CONNECTION DIAGRAM CN 25669	MRB 04-23-1998		.XXX	±.005		REF		
1	NEW DRAWING CN 25669	MRB 04-22-1998		.XXXX	±.0005	MAT'L.	FMF		
NO.	REVISION	BY & DATE	CHK	ANG	±	FINISH	PREV		
THIS DRAWING IN DESIGN AND DETAIL IS OUR PROPERTY AND MUST NOT BE USED EXCEPT IN CONNECTION WITH OUR WORK ALL RIGHTS OF DESIGN AND INVENTION ARE RESERVED THIS IS AN ELECTRONICALLY GENERATED DOCUMENT - DO NOT SCALE THIS PRINT			RFP	CAD FILE 6906495		SIZE	DRAWING NO.	PAGE OF	REV.
			DIST	WP		A	6906495	3	

```
ERROR: syntaxerror  
OFFENDING COMMAND: --nostringval--
```

```
STACK:
```

```
/RS  
-dictionary-  
/Pscript_WinNT_Compact  
-dictionary-
```


** Subject to change without notice.