

PRODUCT INFORMATION PACKET

Model No: 5KH32GNB811X

Catalog No: 4805

1/3 HP Carbonator Pump Motor, 1 phase, 1800 RPM, 100-120/200-240 V, 48Y Frame, ODP
Carbonator Pump Motors



Regal and Marathon are trademarks of Regal Beloit Corporation or one of its affiliated companies.
©2020 Regal Beloit Corporation, All Rights Reserved. MC017097E

REGAL

Nameplate Specifications

Output HP	0.33 Hp	Output KW	0.25 kW
Frequency	60 Hz	Voltage	100-120/200-240 V
Current	5.5-5.6,2.7-2.8 A	Speed	1725/1425 rpm
Service Factor	1	Phase	1
Efficiency	62 %	Power Factor	0
Duty	Continuous	Insulation Class	B
KVA Code	L	Frame	48Y
Enclosure	Drip Proof	Thermal Protection	AUTO
Ambient Temperature	40 °C	Drive End Bearing Size	6203
Opp Drive End Bearing Size	6203	UL	Recognized
CSA	Yes	CE	N

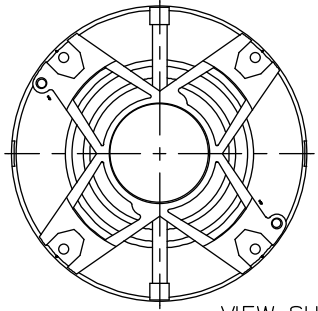
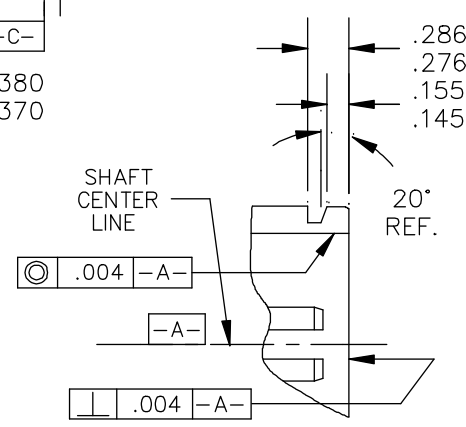
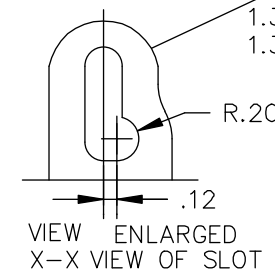
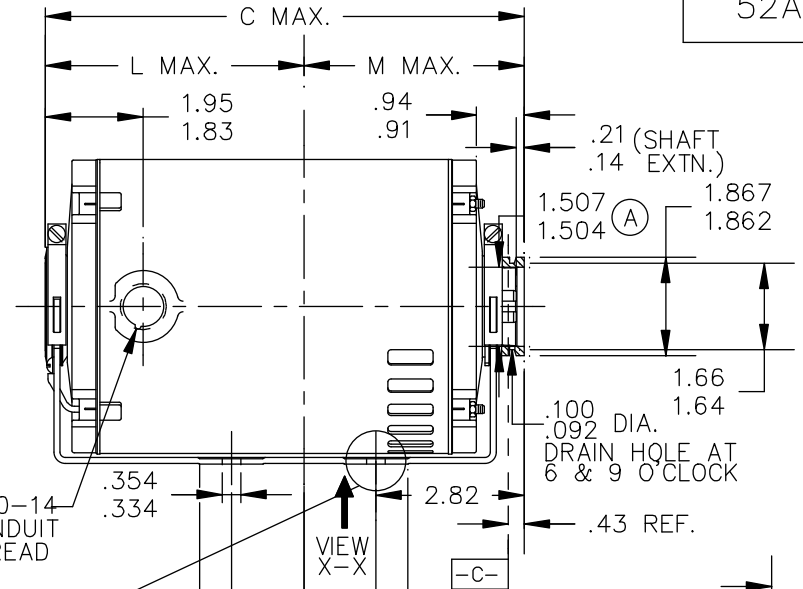
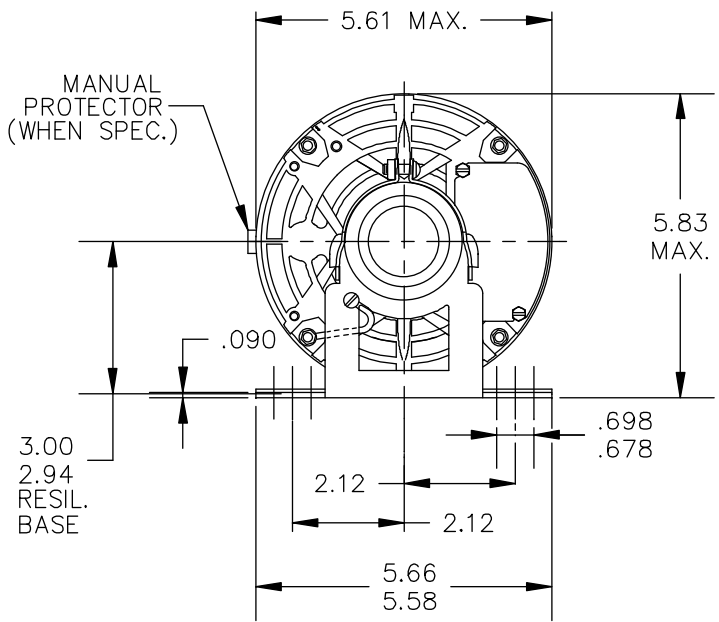
Technical Specifications

Electrical Type	Split Phase	Starting Method	SM
Poles	4	Rotation	Counterclockwise/Clockwise
Mounting	Resilient Base	Motor Orientation	ANY
Drive End Bearing	BALL	Opp Drive End Bearing	Ball
Frame Material	Rolled Steel	Overall Length	7.69 in
Frame Length	5.16 in	Shaft Diameter	0.630 in
Shaft Extension	0.17 in		
Outline Drawing	52A111766P1	Connection Drawing	52A105383AA

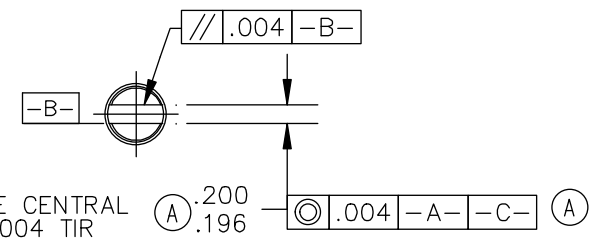
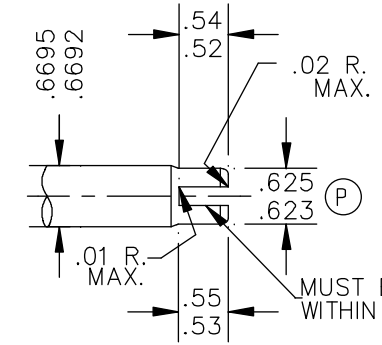
This is an uncontrolled document once printed or downloaded and is subject to change without notice. Date Created:03/11/2020

52A111766

CONTROL SURFACES & DIMENSIONS
 (P) PROC.
 (E) ENG.
 (A) APPL.
 (R) REG.



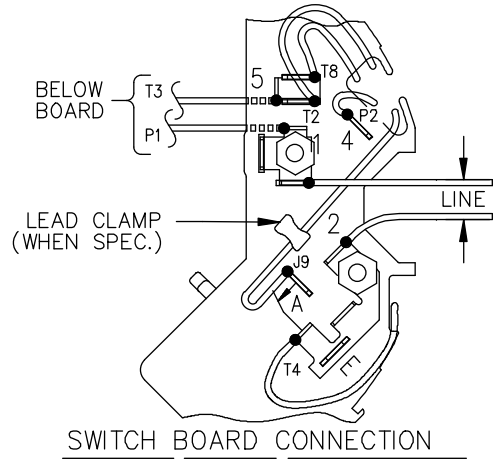
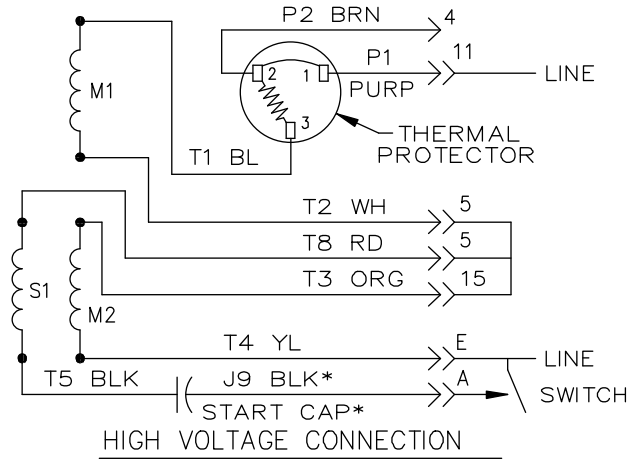
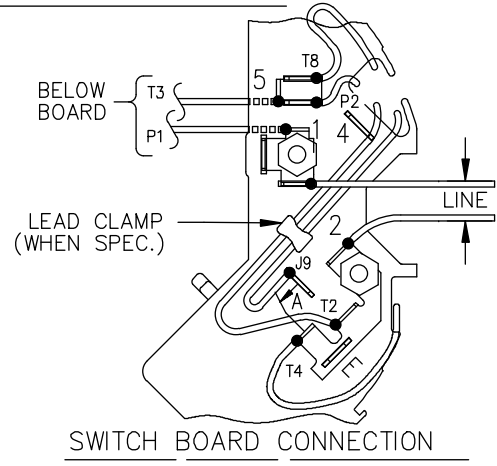
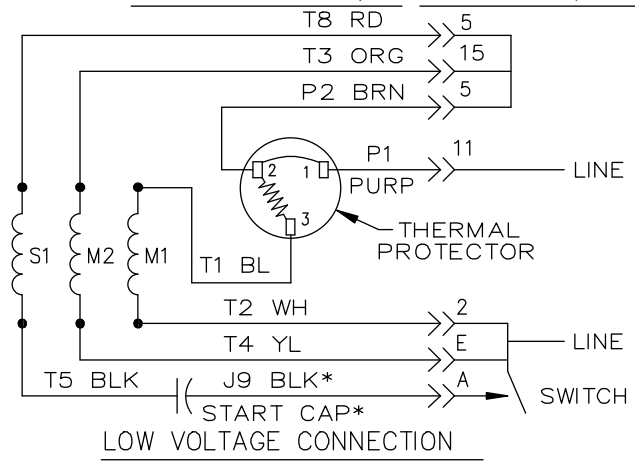
VIEW SHOWING P.E. VENTILATION OPENINGS



6	KH	38	48Y	9.75	5.60	4.28
5	KH	37	48Y	9.15	5.01	4.28
4	KH	36	48Y	8.75	4.61	4.28
3	KH	35	48Y	8.32	4.18	4.28
2	KH	33	48Y	7.94	3.80	4.28
1	KH	32	48Y	7.69	3.55	4.28
P	TYPE	RBC SIZE	NEMA FR	C	L	M

				TOLERANCES UNLESS SPECIFIED		REGAL-BELOIT CORPORATION		DRAWN MDU 02/20/07			
				DEC.	INCHES	REGAL-BELOIT CORPORATION		CHK			
4	ADDED MANUAL PROT. NOTE PER SAMPLE DS13-2736	GRB 05/23/13	GRB	.X	±0.1	TITLE		APPD DS 02/20/07			
3	CHG GD LD FROM 4:30 TO 7:30 PER IS11-0510 & REDRAWN IN DRAFT SIGHT	UD 9/25/12	PKG	.XX	±0.02	OUTLINE		SCALE 1=1			
2	UPDATED PER ISO7-0144	MDU 02/20/07		.XXX	±0.005	CARBONATOR PUMP-DRIP PROOF -RESIL. BASE		REF			
NO.	REVISION	BY & DATE	CHK	ANG	±1.0	MAT'L.		FMF			
				RFP		FINISH		PREV			
THIS DRAWING IN DESIGN AND DETAIL IS OUR PROPERTY AND MUST NOT BE USED EXCEPT IN CONNECTION WITH OUR WORK. ALL RIGHTS OF DESIGN AND INVENTION ARE RESERVED. THIS IS AN ELECTRONICALLY GENERATED DOCUMENT - DO NOT SCALE THIS PRINT				CAD FILE		52A111766		SIZE	DRAWING NO.		REV.
				DIST				A	52A111766		4

EITHER ROTATION, DUAL VOLTAGE, TYPE KC OR KH, WITH THERMAL PROTECTION



NOTE #1 - START CAP & J9 WHEN SPECIFIED (*). IF NO CAPACITOR (KH), CONNECT T5 DIRECTLY TO SWITCH (A). WHEN MORE THAN ONE CAPACITOR IS USED, CONNECT IN PARALLEL.

NOTE #2 - TO REVERSE ROTATION, INTER CHANGE RD(T8) AND BLK(J9-KC OR T5-KH) LEADS.

SWITCH REF. - 115D958AB	CONNECTION LABEL	CCW ROTATION: NP52X332051AA
		CW ROTATION: NP52X332051AC

NO.	REVISION	BY & DATE	CHK	TOLERANCES UNLESS SPECIFIED		FINISH	DRAWN
				DEC.	INCHES		
				.X	±0.1	REGAL-BELOIT CORPORATION	M.D.P 06/29/87
				.XX	±0.02		CONNECTION DIAGRAM 30 FRAME SWITCH REDESIGN
5	ADDED CONNECTION LABEL PER ECO-0030779	UD 02/06/13	PKG	.XXX	±0.005	MAT'L.	
4	UPDATED PER ISO7-0150	MD 01/23/07		.XXXX	±0.0005		TITLE CONNECTION DIAGRAM 30 FRAME SWITCH REDESIGN
				ANG	±1.0	REF	
				RFP		CAD FILE 52A105383AA	REV.
				DIST		SIZE A	DRAWING NO. 52A105383AA
							5

THIS DRAWING IN DESIGN AND DETAIL IS OUR PROPERTY AND MUST NOT BE USED EXCEPT IN CONNECTION WITH OUR WORK. ALL RIGHTS OF DESIGN AND INVENTION ARE RESERVED. THIS IS AN ELECTRONICALLY GENERATED DOCUMENT - DO NOT SCALE THIS PRINT