

# PRODUCT INFORMATION PACKET

Model No: 5KH32FN3083

Catalog No: H160

1/4 HP Fan and Blower HVAC/R Motor, 1 phase, 1800 RPM, 115 V, 48Z Frame, ODP  
Self Cooled Motors



### Nameplate Specifications

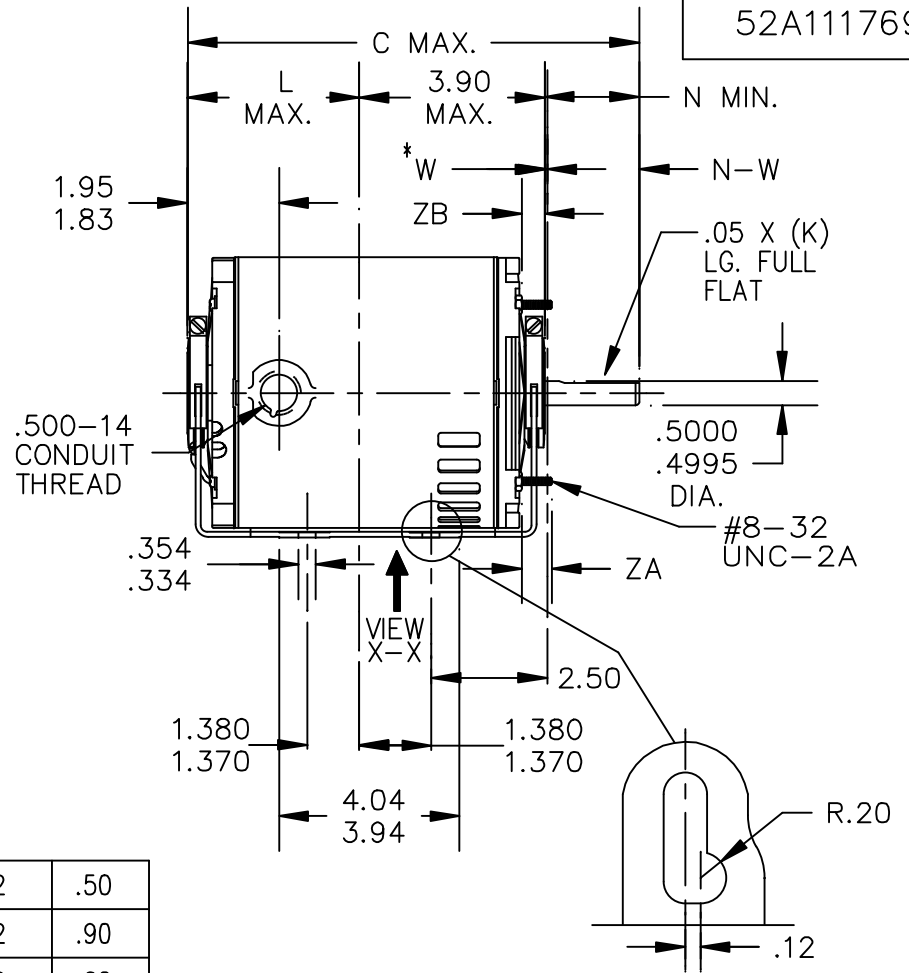
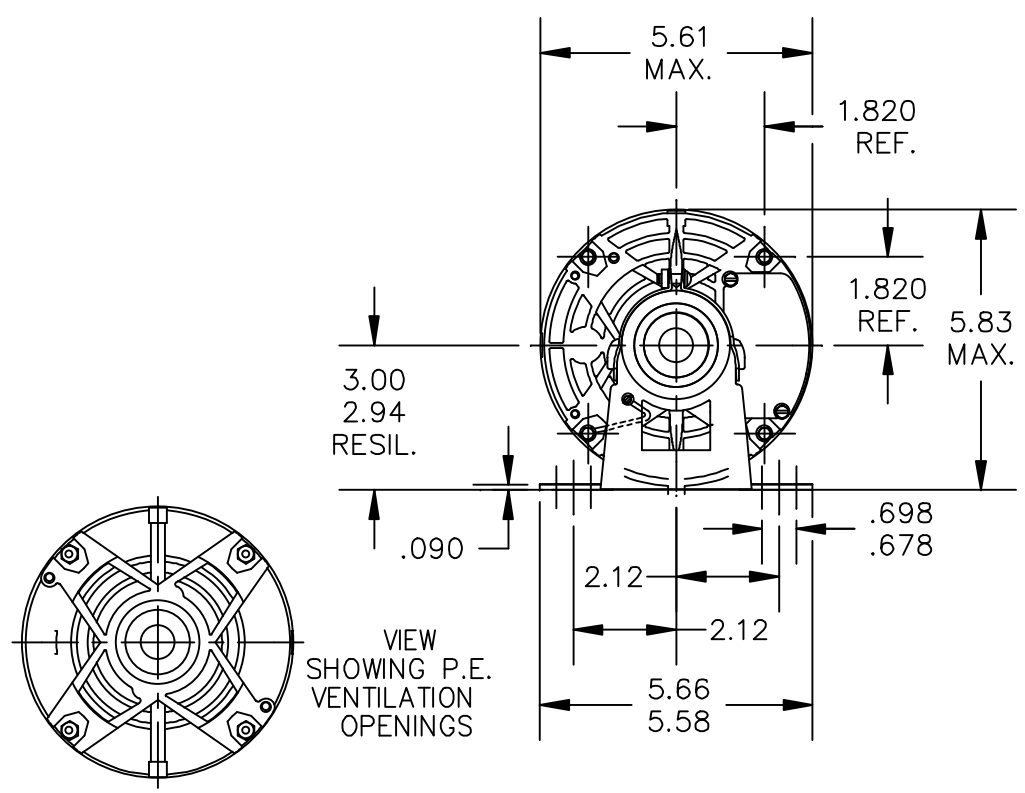
Output HP	<b>0.25 Hp</b>	Output KW	<b>0.19 kW</b>
Frequency	<b>60 Hz</b>	Voltage	<b>115 V</b>
Current	<b>5.1 A</b>	Speed	<b>1725 rpm</b>
Service Factor	<b>1.35</b>	Phase	<b>1</b>
Efficiency	<b>52.8 %</b>	Power Factor	<b>0</b>
Duty	<b>Continuous</b>	Insulation Class	<b>B</b>
KVA Code	<b>R</b>	Frame	<b>48Z</b>
Enclosure	<b>Drip Proof</b>	Thermal Protection	<b>N/R</b>
Ambient Temperature	<b>40 °C</b>	Drive End Bearing Size	<b>6203</b>
Opp Drive End Bearing Size	<b>6203</b>	UL	<b>Recognized</b>
CSA	<b>Yes</b>	CE	<b>N</b>

### Technical Specifications

Electrical Type	<b>Split Phase</b>	Starting Method	<b>SM</b>
Poles	<b>4</b>	Rotation	<b>Counterclockwise/Clockwise</b>
Mounting	<b>Resilient Base</b>	Motor Orientation	<b>ANY</b>
Drive End Bearing	<b>BALL</b>	Opp Drive End Bearing	<b>Ball</b>
Frame Material	<b>Rolled Steel</b>	Overall Length	<b>9.32 in</b>
Frame Length	<b>5.16 in</b>	Shaft Diameter	<b>0.500 in</b>
Shaft Extension	<b>1.88 in</b>	Thru-bolts Extension	<b>0 in</b>
Connection Drawing	<b>52A105377AA</b>	Outline Drawing	<b>52A111769P1</b>

This is an uncontrolled document once printed or downloaded and is subject to change without notice. Date Created:03/11/2020

52A111769

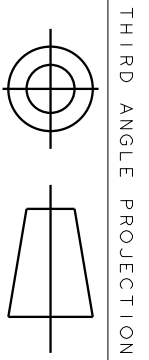


W\* IS A CLEARNCE DUE TO VARIATION IN PARTS AND ASSEMBLY.

6	KH	35	48	9.56	1.16	4.22	1.50	1.63/1.41	.55/.52	.50
5	KH	33	48Z	9.93	1.91	3.84	2.25	2.38/2.16	.55/.52	.90
4	KH	32	48	8.93	1.16	3.59	1.50	1.63/1.41	.55/.52	.62
3	KH	36	48	9.99	1.16	4.65	1.50	1.63/1.41	.55/.52	.50
2	KH	32	48Z	9.94	1.91	3.59	2.25	2.38/2.16	.55/.52	.62
1	KH	32	48Z	9.32	1.54	3.59	1.88	2.01/1.79	.55/.52	.62
P	TYPE	RBC SIZE	NEMA FR	C	K	L	N	N-W	ZB	ZA

				TOLERANCES UNLESS SPECIFIED		REGAL-BELOIT CORPORATION		DRAWN MDU 02/02/07	
				DEC.	INCHES	REGAL-BELOIT CORPORATION		CHK	
03	CHG GD LD FROM 4:30 TO 7:30 PER IS11-0510 & REDRAWN IN DRAFT SIGHT.			UD	09/24/12	PKG	.X	±0.1	APPD DS 02/02/07
02	DIMENSION ADDED PER IS07-2793			BM	11/15/07		.XX	±0.02	SCALE 1=1
01	UPDATED PER IS07-0144			MDU	02/20/07		.XXX	±0.005	REF
	NO.	REVISION	BY & DATE	CHK	ANG		.XXXX	±0.0005	FMF
				RFP		CAD FILE	52A111769	SIZE A	DRAWING NO. 52A111769
				DIST					REV. 03

THIS DRAWING IN DESIGN AND DETAIL IS OUR PROPERTY AND MUST NOT BE USED EXCEPT IN CONNECTION WITH OUR WORK ALL RIGHTS OF DESIGN AND INVENTION ARE RESERVED THIS IS AN ELECTRONICALLY GENERATED DOCUMENT - DO NOT SCALE THIS PRINT

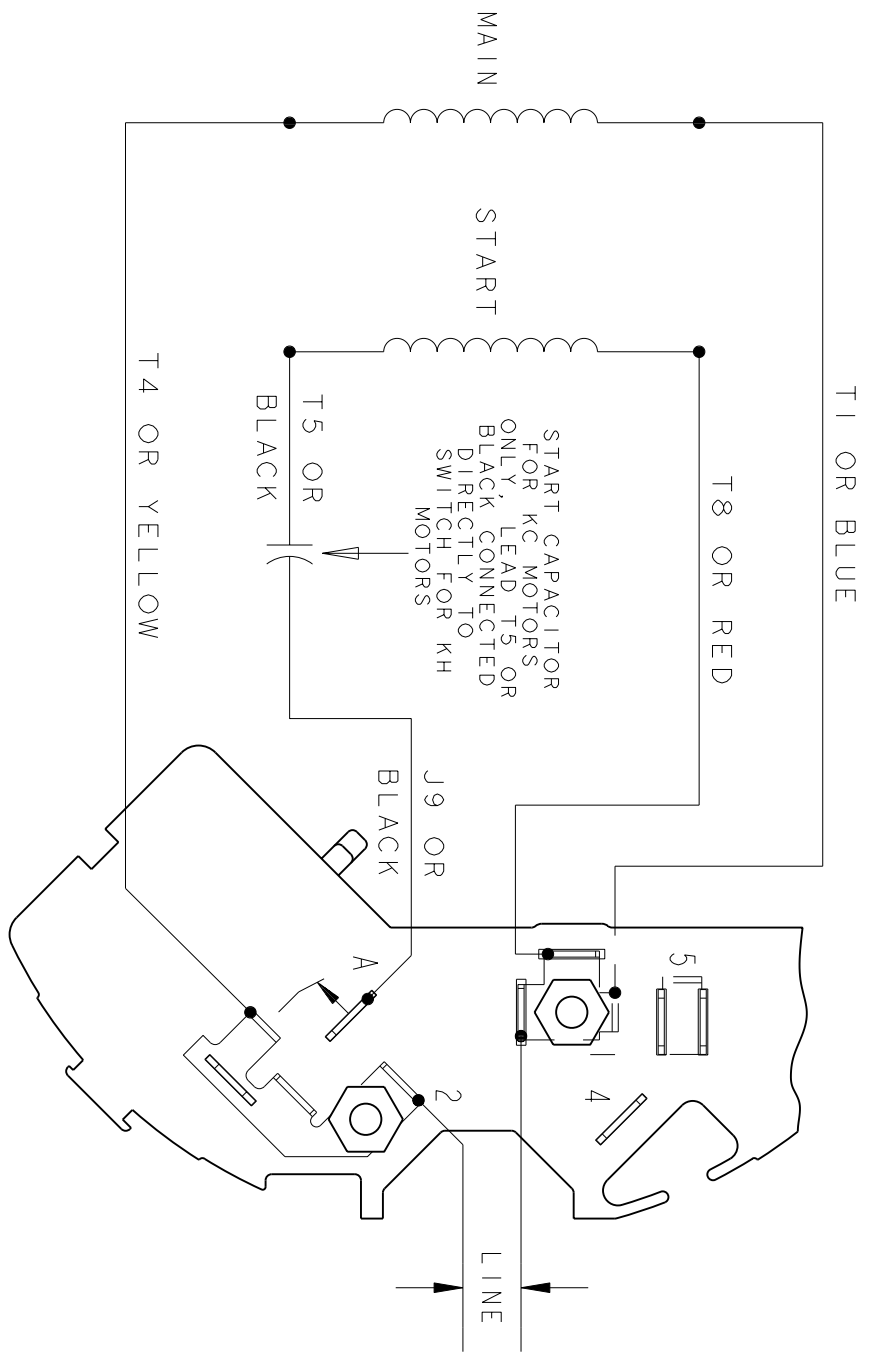


THIRD ANGLE PROJECTION

REVISIONS

REV.	DESCRIPTION	DATE	APPROVED
1	UPDATED FORMAT	11/10/05	MAM

EITHER ROTATION - SINGLE VOLTAGE  
TYPE KC, OR KH



NOTE #1 - TO REVERSE ROTATION INTERCHANGE BLACK (T5-KH OR J9-KC) AND RED (T8) LEADS.

NOTE #2 - WHEN MORE THAN ONE CAPACITOR IS USED CONNECT IN PARALLEL.

REF. DIAG. - 121A850		SWITCH (C) - 115D958AB	
CONNECTION LABEL - 52X332047			
SIGNATURES			
MODEL	M.D. PAPER	DATE	
DETAIL			
CHECKED			
ENGRG			
MFG			
QUALITY			
ISSUED	M.D.P.	DATE	
MATERIAL	SOLID MODEL: 52A105377AA		

TITLE	
FME: 30 FRAME SWITCH REDESIGN	
SIZE	DRAWING
A	
SCALE: 1.000	REF. No: .

REGAL-BELOIT CORPORATION	
CONNECTION DIAGRAM	
REV	1
SHEET	1 of 1