

PRODUCT INFORMATION PACKET

Model No: 048A11O2011
Catalog No: X064
1/8,1075,OPAO,48Y,1/60/115
Direct Drive



Regal and Marathon are trademarks of Regal Beloit Corporation or one of its affiliated companies.
©2018 Regal Beloit Corporation, All Rights Reserved. MC017097E



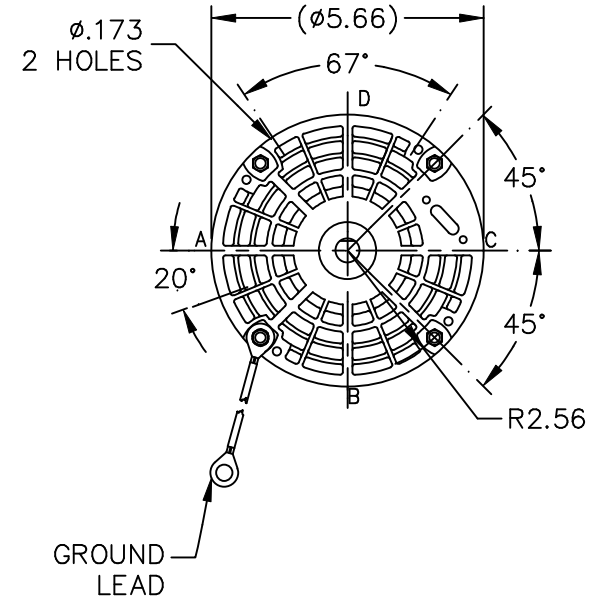
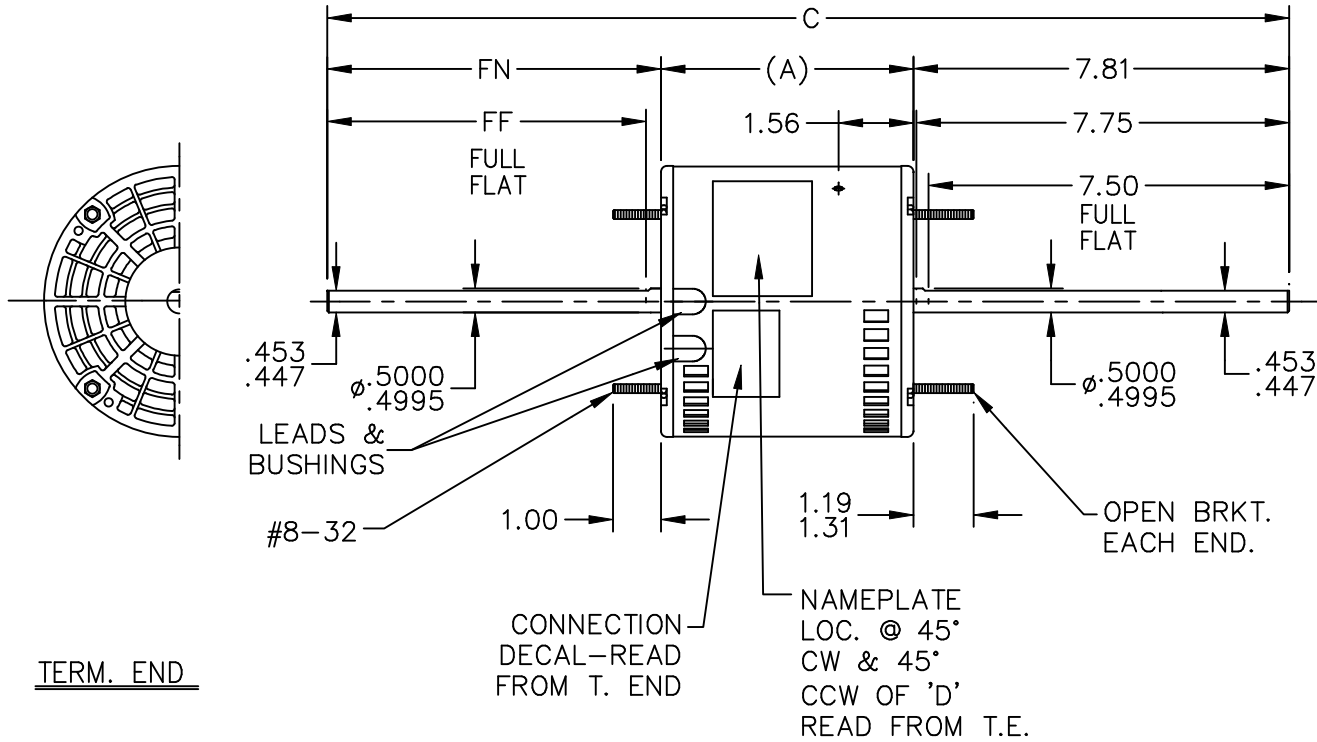
Nameplate Specifications

Output HP	0.13 Hp	Output KW	0.09 kW
Frequency	60 Hz	Voltage	115 V
Current	2.4 A	Speed	1075 rpm
Service Factor	1	Phase	1
Efficiency	51.7 %	Duty	Continuous
Insulation Class	B	Design Code	NO DESIGN CODE
KVA Code	D	Frame	48Y
Enclosure	Open Air Over	Overload Protector	Auto Lock Rotor Only
Ambient Temperature	40 °C	Drive End Bearing Size	6203
Opp Drive End Bearing Size	6203	UL	Recognized
CSA	Y	CE	N
IP Code	10		

Technical Specifications

Electrical Type	Permanent Split Capacitor	Starting Method	Across The Line
Poles	6	Rotation	Fixed Counterclockwise
Mounting	Round - Extended Studs	Motor Orientation	Horizontal
Drive End Bearing	Ball	Opp Drive End Bearing	Ball
Frame Material	Rolled Steel	Shaft Type	Special Extension Both Sides
Overall Length	20 in	Frame Length	3.50 in
Shaft Diameter	0.500 in	Shaft Extension	7.81 in
Assembly/Box Mounting	F1 Only		
Outline Drawing	A-SS403655-350	Connection Diagram	6906495

This is an uncontrolled document once printed or downloaded and is subject to change without notice. Date Created: 06/29/2018



TERM. END

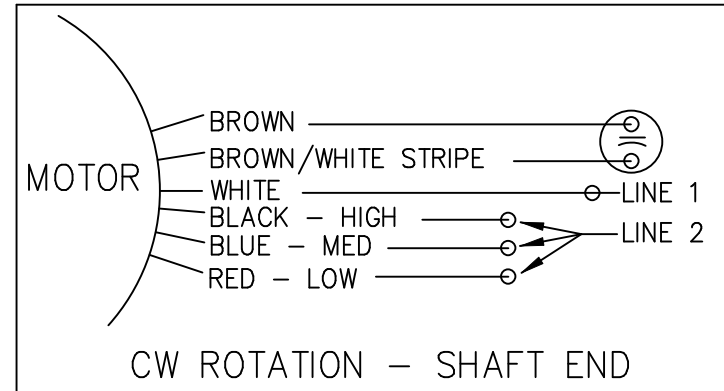
LEADS DESCRIPTION:

4 LEADS WITH .50" BARE WIRE STRIP 30.00" LONG WHITE, BLACK, BLUE, RED

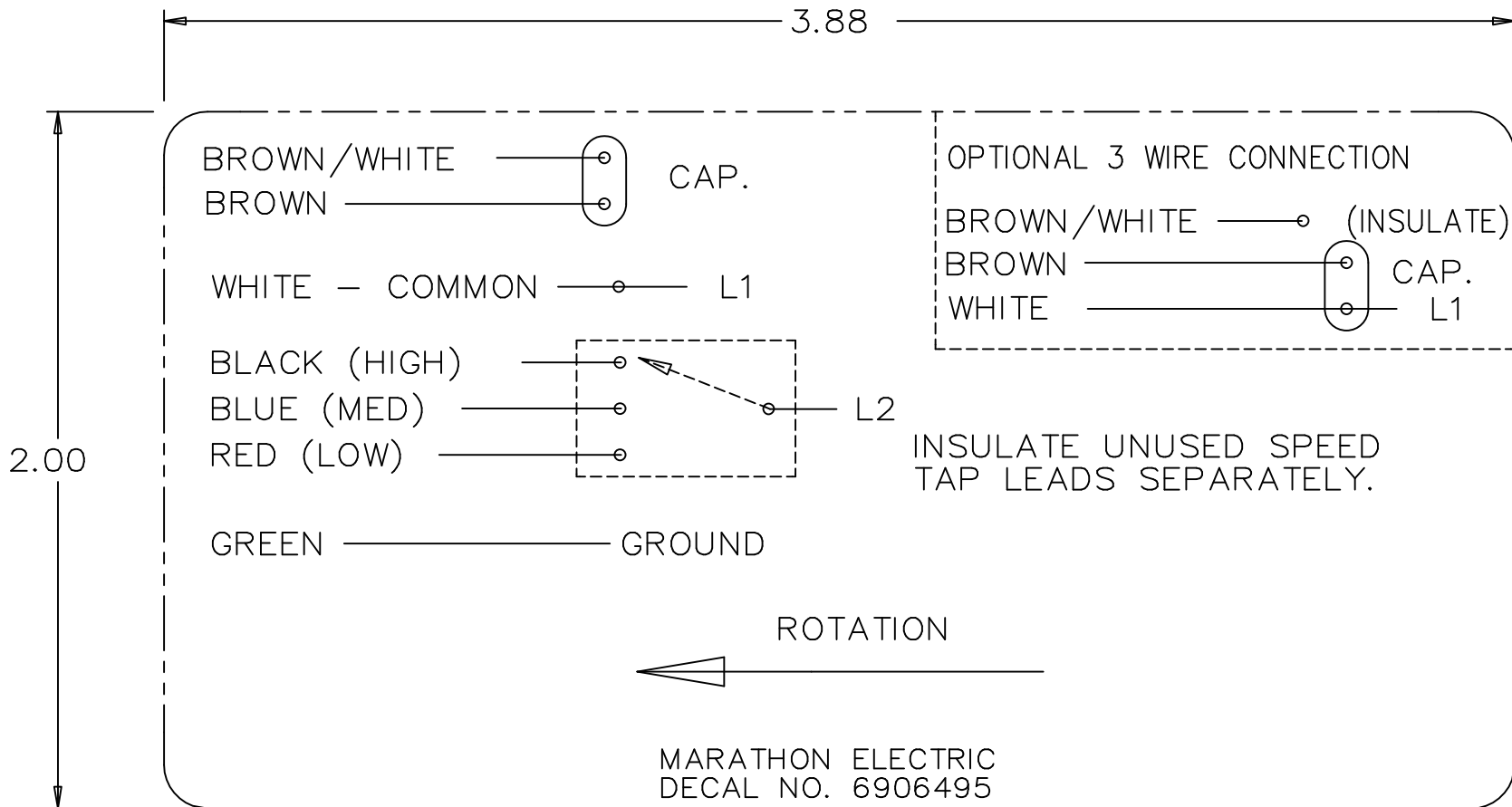
2 BROWN LEADS WITH .25" FLAG-TYPE QUICK-30.00" LONG BROWN LEAD WITH WHITE MARK IS COMMON TO WHITE LEAD

GRN. GRD. LEAD W/ TERM. FOR #10 SCREW 12.00" LONG

DASH	FR.	C	A	FN	FF
350	48Y	20.00	4.00	8.19	7.88
375	48Y	20.00	4.25	7.94	7.62
400	48Y	20.00	4.50	7.69	7.38
425	48Y	20.00	4.75	7.44	7.13



				TOLERANCES UNLESS SPECIFIED			DRAWN SP 11-22-2007			
				DEC.	INCHES		CHK NB 11-22-2007			
				.X	±.1		APPD NB 11-22-2007			
				.XX	±.03		SCALE 1=4			
				.XXX	±.005		REF			
				.XXXX	±.0005	MAT'L.	FMF 07-2082			
NO.	REVISION	BY & DATE	CHK	ANG	±7'30"	FINISH	PREV			
			RFP	11-22-2007		CAD FILE SS403655	SIZE A	DRAWING NO. SS403655	PAGE OF	REV.
THIS DRAWING IN DESIGN AND DETAIL IS OUR PROPERTY AND MUST NOT BE USED EXCEPT IN CONNECTION WITH OUR WORK ALL RIGHTS OF DESIGN AND INVENTION ARE RESERVED THIS IS AN ELECTRONICALLY GENERATED DOCUMENT - DO NOT SCALE THIS PRINT				DIST WP						



				TOLERANCES UNLESS SPECIFIED		REGAL-BELOIT <i>Motor Technologies</i>	DRAWN MRB 04-16-1998		
				DEC.	INCHES		CHK	ML 04-22-1998	
				.X	±.1	TITLE CONNECTION DECAL	APPD	GK 04-22-1998	
3	REMOVED 'MARATHON ELECTRIC' CN 35106	DRS 05-01-2002	TOM	.XX	±		SCALE	1=1	
2	PART NAME WAS CONNECTION DIAGRAM CN 25669	MRB 04-23-1998		.XXX	±.005		REF		
1	NEW DRAWING CN 25669	MRB 04-22-1998		.XXXX	±.0005	MAT'L.	FMF		
NO.	REVISION	BY & DATE	CHK	ANG	±	FINISH	PREV		
THIS DRAWING IN DESIGN AND DETAIL IS OUR PROPERTY AND MUST NOT BE USED EXCEPT IN CONNECTION WITH OUR WORK ALL RIGHTS OF DESIGN AND INVENTION ARE RESERVED THIS IS AN ELECTRONICALLY GENERATED DOCUMENT - DO NOT SCALE THIS PRINT			RFP	CAD FILE 6906495			SIZE	DRAWING NO. PAGE OF	REV.
			DIST	WP			A	6906495	3

```
ERROR: syntaxerror  
OFFENDING COMMAND: --nostringval--
```

```
STACK:
```

```
/RS  
-dictionary-  
/Pscript_WinNT_Compact  
-dictionary-
```