

# PRODUCT INFORMATION PACKET

Model No: 048S17D2104  
Catalog No: S126  
1/4,1800,DP,48Z,1/60/115  
Open Drip Proof (ODP)



Regal and Marathon are trademarks of Regal Beloit Corporation or one of its affiliated companies.  
©2018 Regal Beloit Corporation, All Rights Reserved. MC017097E



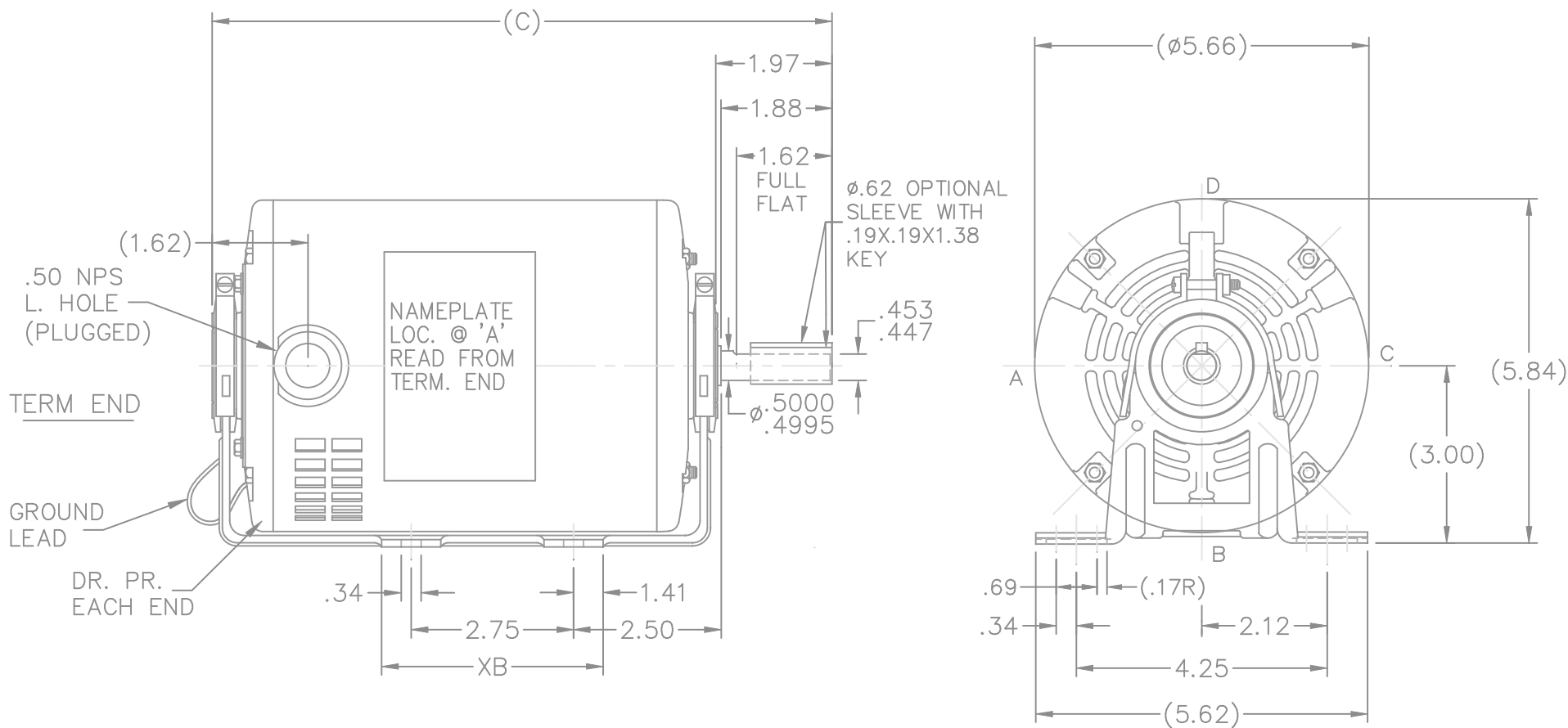
**Nameplate Specifications**

Output HP	<b>0.25 Hp</b>	Output KW	<b>0.19 kW</b>
Frequency	<b>60 Hz</b>	Voltage	<b>115 V</b>
Current	<b>5.3 A</b>	Speed	<b>1725 rpm</b>
Service Factor	<b>1</b>	Phase	<b>1</b>
Efficiency	<b>52.5 %</b>	Duty	<b>Continuous</b>
Insulation Class	<b>B</b>	Design Code	<b>NO DESIGN CODE</b>
KVA Code	<b>S</b>	Frame	<b>48Z</b>
Enclosure	<b>Drip Proof</b>	Overload Protector	<b>Automatic</b>
Ambient Temperature	<b>40 °C</b>	Drive End Bearing Size	<b>6203</b>
Opp Drive End Bearing Size	<b>6203</b>	UL	<b>Recognized</b>
CSA	<b>Y</b>	CE	<b>N</b>
IP Code	<b>22</b>		

**Technical Specifications**

Electrical Type	<b>Split Phase</b>	Starting Method	<b>Across The Line</b>
Poles	<b>4</b>	Rotation	<b>Selective Counterclockwise</b>
Mounting	<b>Resilient Base</b>	Motor Orientation	<b>Horizontal</b>
Drive End Bearing	<b>Ball</b>	Opp Drive End Bearing	<b>Ball</b>
Frame Material	<b>Rolled Steel</b>	Shaft Type	<b>Single Special Extension</b>
Overall Length	<b>9.72 in</b>	Frame Length	<b>5.75 in</b>
Shaft Diameter	<b>0.500 in</b>	Shaft Extension	<b>1.97 in</b>
Assembly/Box Mounting	<b>F1 Only</b>		
Outline Drawing	<b>A-SS403617-575</b>	Connection Diagram	<b>A-EE7195</b>

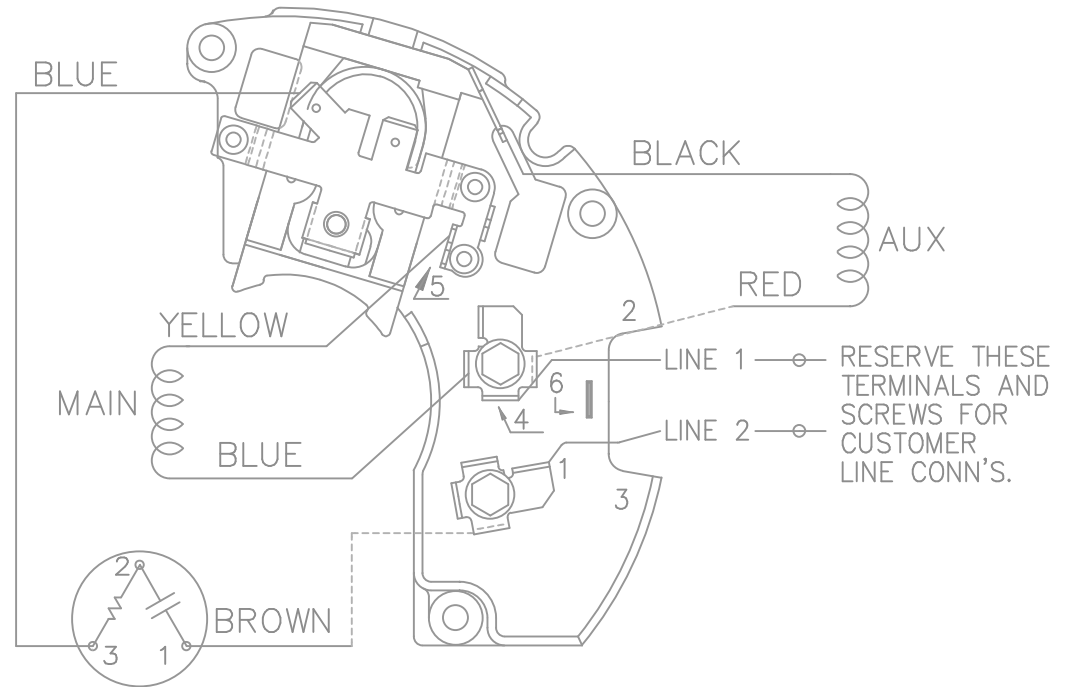
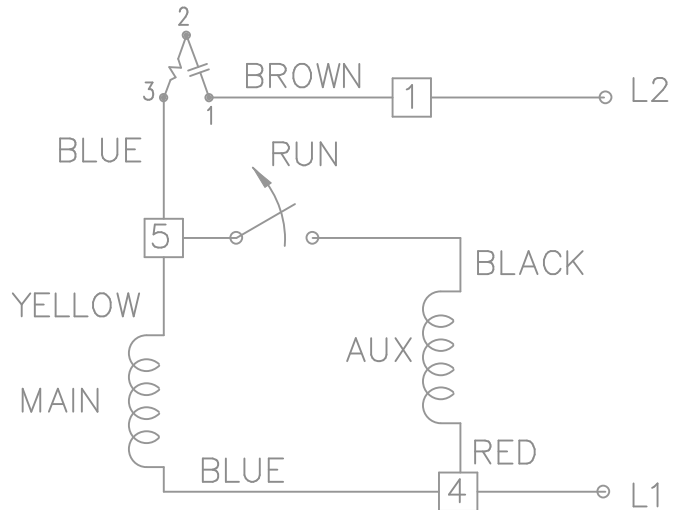
**This is an uncontrolled document once printed or downloaded and is subject to change without notice. Date Created: 10/08/2018**



DASH	FR.	C	XB
575	48	9.72	5.94
625	48	10.22	6.44
675	48	10.72	6.94

				TOLERANCES UNLESS SPECIFIED		MARATHON ELECTRIC	DRAWN NB 07-02-2007					
				DEC.	INCHES		CHK	VL	07-02-2007			
				.X	±.1	TITLE OUTLINE	APPD	VL	07-02-2007			
				.XX	±.03		SCALE	3=8				
				.XXX	±.005		REF	SS73935				
				.XXXX	±.0005		FMF	CN41440				
NO.	REVISION			BY & DATE	CHK	ANG	±7'30"	FINISH	PREV			
THIS DRAWING IN DESIGN AND DETAIL IS OUR PROPERTY AND MUST NOT BE USED EXCEPT IN CONNECTION WITH OUR WORK ALL RIGHTS OF DESIGN AND INVENTION ARE RESERVED THIS IS AN ELECTRONICALLY GENERATED DOCUMENT - DO NOT SCALE THIS PRINT				RFP	07-02-2007	CAD FILE	ss403617	SIZE	DRAWING NO.	PAGE	OF	REV.
				DIST	WP			A	SS403617			

SINGLE VOLTAGE – SPLIT PHASE  
 REVERSIBLE ON TERM BOARD  
 WITH OVERLOAD PROTECTION



VIEWING TERMINAL END

C.C.W. ROTATION SHOWN.

FOR C.W. ROTATION INTERCHANGE  
 YELLOW & BLUE LEADS ON TERM 5 & 4.

DASH LINES INDICATE LEADS CONNECTED  
 TO MOTOR SIDE OF SWITCH.

				TOLERANCES UNLESS SPECIFIED			DRAWN ML 01-27-1998		
				DEC.	INCHES		CHK	GK 02-05-1988	
5	REDRAWN ON AUTOCAD	RWR 06-15-2004	ML	.X	± -	TITLE CONNECTION DIAGRAM 48 FR. SINGLE VOLTAGE REVERSIBLE  MAT'L.  FINISH	APPD	DRN 03-11-1988	
4	REVERSED L1 AND L2 CN19709	AJS 01-16-1995	GK	.XX	± -		SCALE	1=1	
3	REVISED LINE 2 LOCATION CN6427	RM 01-28-1991	GK	.XXX	± -		REF		
2	ADDED CUSTOMER CONNECTION NOTE CN6011	BW 08-03-1989	GK	.XXXX	± -		FMF		
NO.	REVISION	BY & DATE	CHK	ANG	± -		PREV		
THIS DRAWING IN DESIGN AND DETAIL IS OUR PROPERTY AND MUST NOT BE USED EXCEPT IN CONNECTION WITH OUR WORK ALL RIGHTS OF DESIGN AND INVENTION ARE RESERVED THIS IS AN ELECTRONICALLY GENERATED DOCUMENT – DO NOT SCALE THIS PRINT				RFP		CAD FILE ee7195	SIZE	DRAWING NO. PAGE 1 OF 1	REV.
				DIST	LB		A	EE7195	5

**CERTIFICATION DATA SHEET**

**Model#:** 48S17D2104 G      **WINDING#:** SE48494 NONE 1  
**CONN. DIAGRAM:** A-EE7195      **ASSEMBLY:** F1 ONLY  
**OUTLINE:** A-SS403617-575

**TYPICAL MOTOR PERFORMANCE DATA**

HP	KW	SYNC. RPM	F.L. RPM	FRAME	ENCLOSURE	KVA CODE	DESIGN
1/4	0.19	1800	1725	48Z	DP	S	NO DESIGN CODE

PH	Hz	VOLTS	FL AMPS	START TYPE	DUTY	INSL	S.F	AMB°C	ELEVATION
1	60	115	5.3	ACROSS THE LINE	CONTINUOUS	B3	1.0	40	3300

FULL LOAD EFF: 52.5	3/4 LOAD EFF: -	1/2 LOAD EFF: -	GTD. EFF	ELEC. TYPE	NO LOAD AMPS
			-	SPLIT PHASE	4.8

F.L. TORQUE	LOCKED ROTOR AMPS	L.R. TORQUE	B.D. TORQUE	F.L. RISE°C
12.1 LB-FT	45.6	24.5 LB-FT -	32.8 LB-FT -	-

SOUND PRESSURE @ 3 FT.	SOUND POWER	ROTOR WK^2	MAX. WK^2	SAFE STALL TIME	STARTS /HOUR	APPROX. MOTOR WGT
- dBA	- dBA	- LB-FT^2	- LB-FT^2	- SEC.	-	- LBS.

**\*\*\* SUPPLEMENTAL INFORMATION \*\*\***

DE BRACKET TYPE	ODE BRACKET TYPE	MOUNT TYPE	ORIENTATION	SEVERE DUTY	HAZARDOUS LOCATION	DRIP COVER	SCREENS	PAINT
STANDARD	STANDARD	RESILIENT BASE	HORIZONTAL	FALSE	NONE	FALSE	NONE	GRAY (POWDER)

BEARINGS		GREASE	SHAFT TYPE	SPECIAL DE	SPECIAL ODE	SHAFT MATERIAL	FRAME MATERIAL
DE	OPE	MULTEMP SRL	SGL SPL EXT	0.500 x 1.88 IN SEF WITH 1.62 IN FULL FLAT AND 0.62 IN OPTIONAL SLEEVE	NONE	1144 STRESSPROOF (C-223)	ROLLED STEEL
BALL	BALL						
6203	6203						

THERMO-PROTECTORS				THERMISTORS	CONTROL	SPACE /n HEATERS
THERMOSTATS	PROTECTORS	WDG RTDs	BRG RTDs			
NONE	AUTOMATIC	NONE	NONE	NONE	FALSE	NONE VOLTS

If Inverter equals NONE, contact factory for further information

INVERTER TORQUE: NONE
INV. HP SPEED RANGE: NONE
ENCODER: NONE
NONE NONE
NONE NONE PPR
BRAKE: NONE NONE
NONE P/N NONE
NONE NONE
NONE FT-LB NONE V NONE Hz

\*  
N  
O  
T  
E  
S  
\*

FORM 3531 REV.3 02/07/99

\*\* Subject to change without notice.