

PRODUCT INFORMATION PACKET

Model No: 5KH32FN5586X

Catalog No: 4406

1/3 HP Carbonator Pump Motor, 1 phase, 1800 RPM, 115 V, 48Y Frame, ODP
Carbonator Pump Motors



Regal and Marathon are trademarks of Regal Beloit Corporation or one of its affiliated companies.
©2020 Regal Beloit Corporation, All Rights Reserved. MC017097E

REGAL

Nameplate Specifications

| | | | |
|----------------------------|-------------------|------------------------|-------------------|
| Output HP | 0.33 Hp | Output KW | 0.25 kW |
| Frequency | 60 Hz | Voltage | 115 V |
| Current | 5.6 A | Speed | 1725 rpm |
| Service Factor | 1.15 | Phase | 1 |
| Efficiency | 57.3 % | Power Factor | 0 |
| Duty | Continuous | Insulation Class | B |
| KVA Code | N | Frame | 48Y |
| Enclosure | Drip Proof | Thermal Protection | AUTO |
| Ambient Temperature | 40 °C | Drive End Bearing Size | 6203 |
| Opp Drive End Bearing Size | 6203 | UL | Recognized |
| CSA | Yes | CE | N |

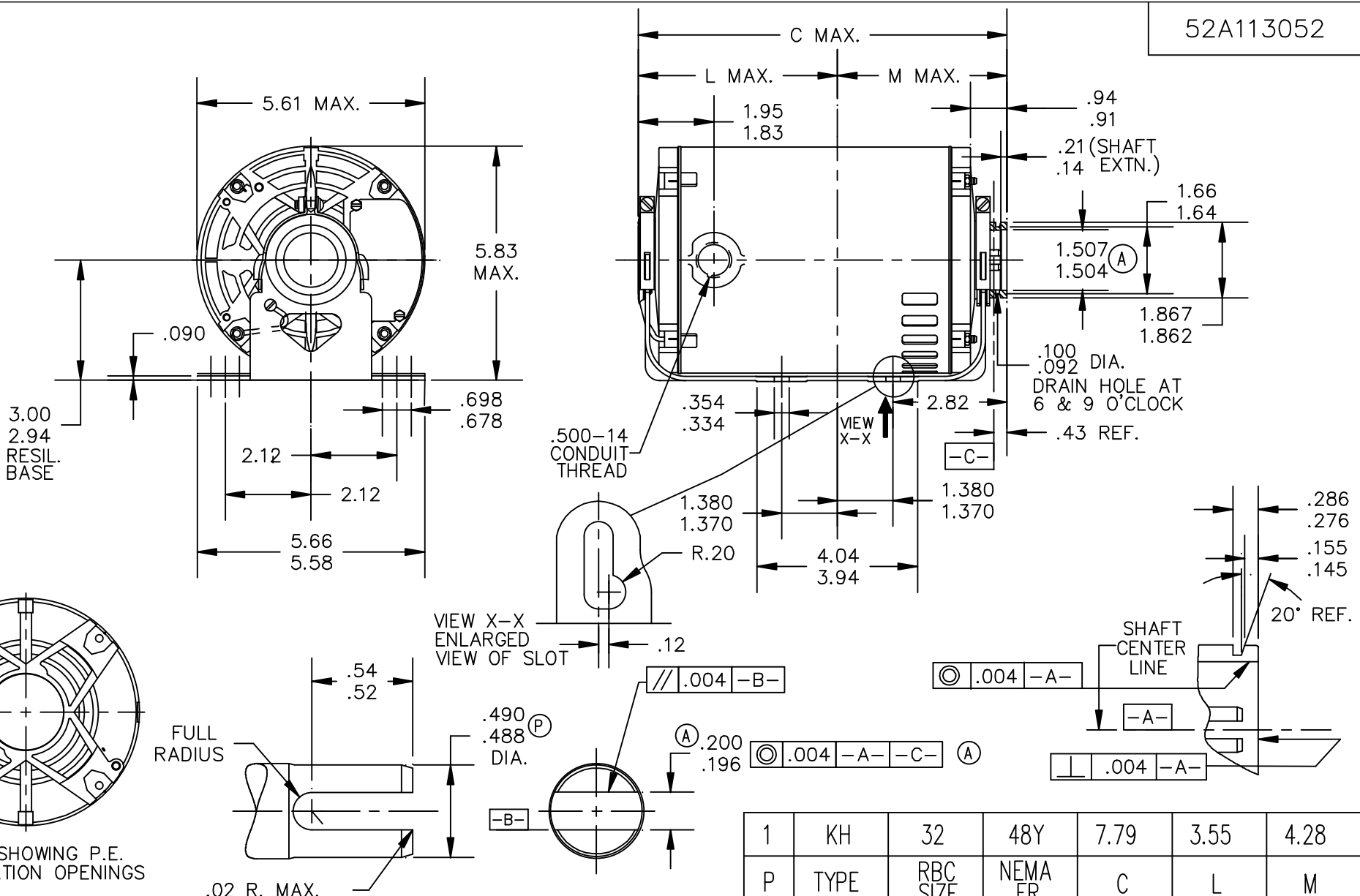
Technical Specifications

| | | | |
|--------------------|-----------------------|-----------------------|-----------------------------------|
| Electrical Type | Split Phase | Starting Method | SM |
| Poles | 4 | Rotation | Counterclockwise/Clockwise |
| Mounting | Resilient Base | Motor Orientation | ANY |
| Drive End Bearing | BALL | Opp Drive End Bearing | Ball |
| Frame Material | Rolled Steel | Overall Length | 7.79 in |
| Frame Length | 5.16 in | Shaft Diameter | 0.500 in |
| Shaft Extension | 0.17 in | | |
| Connection Drawing | 52A105379AA | Outline Drawing | 52A113052P1 |

This is an uncontrolled document once printed or downloaded and is subject to change without notice. Date Created:03/11/2020

52A113052

CONTROL SURFACES & DIMENSIONS
 (P) PROC.
 (E) ENG.
 (A) APPL.
 (R) REG.



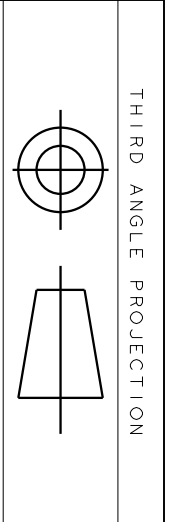
VIEW SHOWING P.E. VENTILATION OPENINGS

| | | | | | | |
|---|------|----------|---------|------|------|------|
| 1 | KH | 32 | 48Y | 7.79 | 3.55 | 4.28 |
| P | TYPE | RBC SIZE | NEMA FR | C | L | M |

| | | | | TOLERANCES UNLESS SPECIFIED | | DRAWN GD 10/25/05 | | | |
|--|--|-----------|----------|-----------------------------|----------|-------------------|-----------|-----------------------|--------|
| | | | | DEC. | INCHES | CHK | | | |
| | | | | .X | ±0.1 | APPD GD 10/25/05 | | | |
| 3 | PART # 2 DELETED AS PER IS12-4648 | UD | 9/26/12 | KK | .XX | ±0.02 | SCALE 1=1 | | |
| 2 | CHG GD LD FROM 4:30 TO 7:30 PER IS11-0510. | UD | 9/24/12 | PKG | .XXX | ±0.005 | REF | | |
| 1 | ADDED CORE SET TO PART #2. | KK | 13/03/12 | | .XXXX | ±0.0005 | FMF | | |
| NO. | REVISION | BY & DATE | CHK | ANG | ±1.0 | FINISH | PREV | | |
| THIS DRAWING IN DESIGN AND DETAIL IS OUR PROPERTY AND MUST NOT BE USED EXCEPT IN CONNECTION WITH OUR WORK ALL RIGHTS OF DESIGN AND INVENTION ARE RESERVED THIS IS AN ELECTRONICALLY GENERATED DOCUMENT - DO NOT SCALE THIS PRINT | | | | RFP | CAD FILE | 52A113052 | SIZE A | DRAWING NO. 52A113052 | REV. 3 |
| | | | | DIST | | | | | |

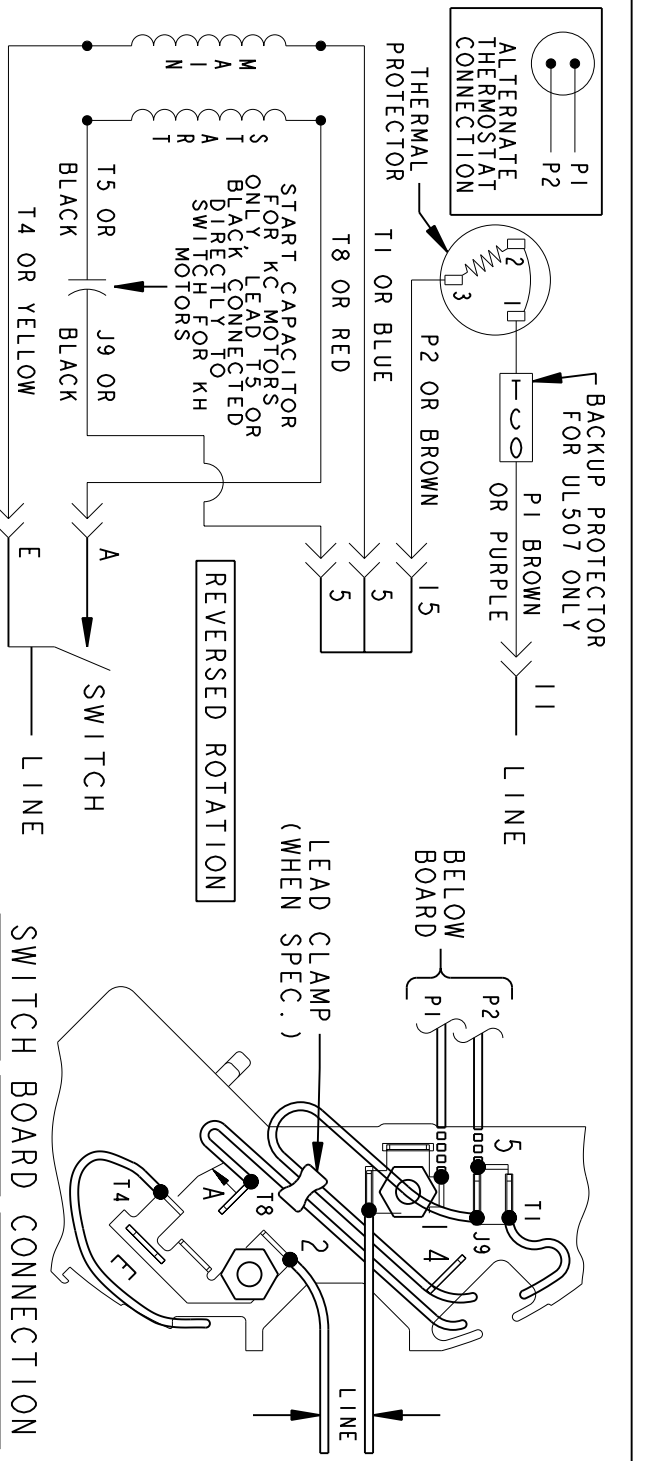


TITLE
 CARBONATOR PUMP - OPEN - RESIL. BASE



| REV. | DESCRIPTION | DATE | APPROVED |
|------|----------------|----------|----------|
| 6 | UPDATED FORMAT | 12/01/05 | MAM |

EITHER ROTATION-SINGLE VOLTAGE-TYPE KC OR KH-WITH THERMAL PROTECTOR



NOTE #1 - TO REVERSE ROTATION INTERCHANGE RED (T8) AND BLACK (J9-KC OR T5-KH) LEADS.
 NOTE #2 - WHEN MORE THAN ONE CAPACITOR IS USED CONNECT IN PARALLEL.

SWITCH (C) - 115D958AB REF. DIAG. - 121A851 CONN. LABEL - 52X332048

| SIGNATURES | DATE |
|--------------------------|-----------------|
| MODEL M.D.PAPE | 06/29/87 |
| DETAIL | |
| CHECKED | |
| ENGRG | |
| MFG | |
| QUALITY | |
| ISSUED | M.D.P. 03/08/00 |
| SOLID MODEL: 52A105379AA | |

REGAL-BELOIT CORPORATION

REGAL-BELOIT

CONNECTION DIAGRAM

FMF - 30 FR SWITCH REDESIGN

SCALE: 1.000 REF. No.:

52A105379AA

REV 6