

PRODUCT INFORMATION PACKET

marathon[®]
Motors

Model No: 5KC49NN0224X

Catalog No: C1187

3/4 HP General Purpose Motor, 1 phase, 1500 RPM, 110/220 V, 56 Frame, ODP
Single Phase ODP Motors



Regal and Marathon are trademarks of Regal Beloit Corporation or one of its affiliated companies.
©2020 Regal Beloit Corporation, All Rights Reserved. MC017097E

REGAL



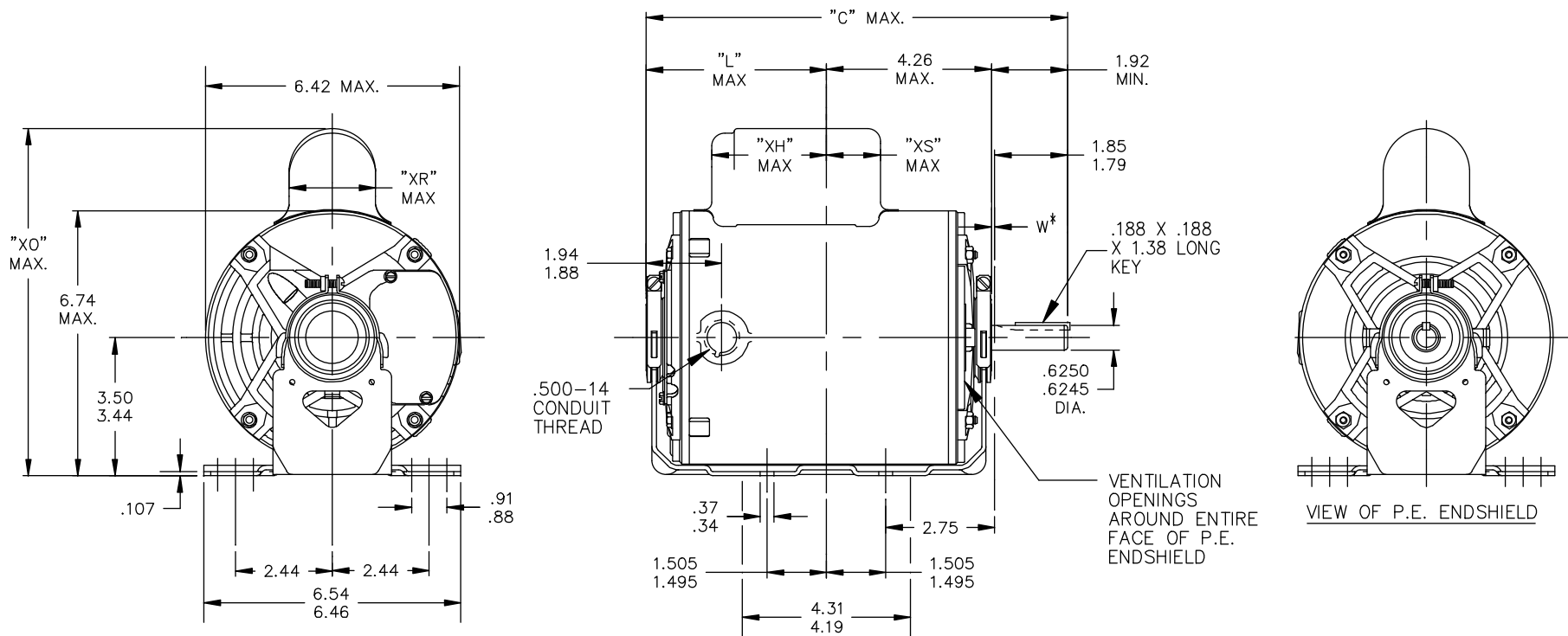
Nameplate Specifications

Output HP	0.75 Hp	Output KW	0.56 kW
Frequency	50 Hz	Voltage	110/220 V
Current	12.2,6.1 A	Speed	1425 rpm
Service Factor	1.25	Phase	1
Efficiency	68 %	Power Factor	0
Duty	Continuous	Insulation Class	B
KVA Code	M	Frame	56
Enclosure	Drip Proof	Thermal Protection	AUTO
Ambient Temperature	40 °C	Drive End Bearing Size	6203
Opp Drive End Bearing Size	6203	UL	Recognized
CSA	Yes	CE	N

Technical Specifications

Electrical Type	Capacitor Start Induction Run	Starting Method	SM
Poles	4	Rotation	Counterclockwise/Clockwise
Mounting	Resilient Base	Motor Orientation	ANY
Drive End Bearing	BALL	Opp Drive End Bearing	Ball
Frame Material	Rolled Steel	Overall Length	11.38 in
Frame Length	7.15 in	Shaft Diameter	0.630 in
Shaft Extension	1.88 in		
Connection Drawing	52A105383AA	Outline Drawing	52A107622P3

This is an uncontrolled document once printed or downloaded and is subject to change without notice. Date Created:03/11/2020



CONTINUED ON 52A107799

*W IS A VARIABLE CLEARANCE DUE TO VARIATIONS IN PARTS AND ASSEMBLY

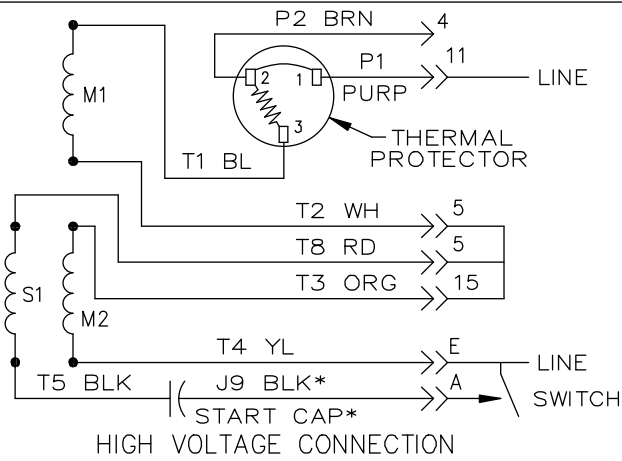
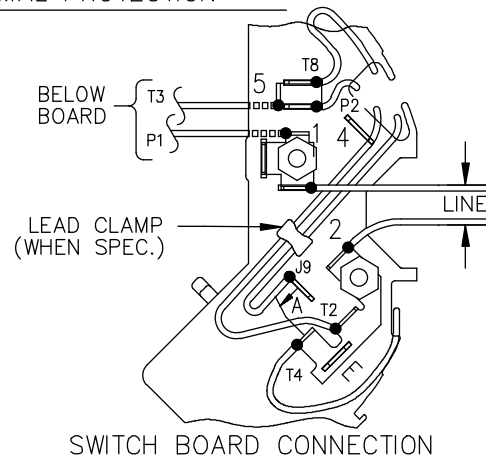
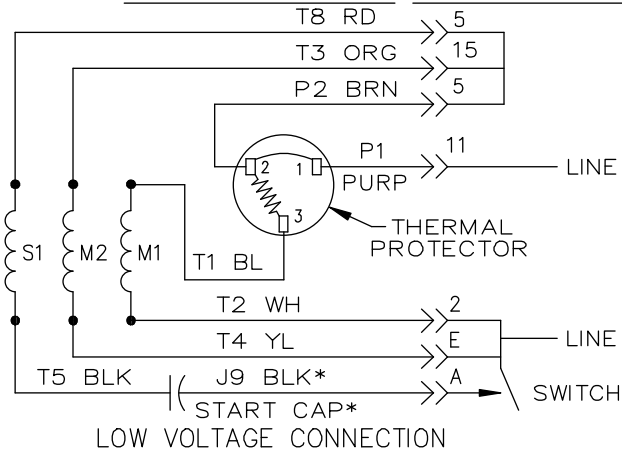
ALL DIMENSIONS ARE IN INCHES

8	KC	49	56	11.38	5.22	3.63	8.62	2.08	2.12		7.15
7	KC	46	56	10.78	4.62	2.18	8.94	2.40	2.36		6.55
6	KC	49	56	11.38	5.22	3.63	8.22	1.60	2.12		7.15
5	KC	46	56	10.78	4.62	3.03	8.22	1.60	2.73		6.55
4	KC	42	56	9.95	3.79	2.20	8.22	1.60	2.34		5.72
3	KC	49	56	11.38	5.22	3.63	8.94	2.40	2.12		7.15
2	KC	42	56	9.95	3.79	2.20	8.94	2.40	2.34		5.72
1	KC	46	56	10.78	4.62	3.03	8.94	2.40	2.73		6.55
P	TYPE	FR SIZE	NEMA FR.	"C"	"L"	"XH"	"XO"	"XR"	"XS"		MIN. SHELL

				TOLERANCES UNLESS SPECIFIED		REGAL-BELOIT CORPORATION		DRAWN M.D.P 09/17/90		
				DEC.	INCHES			CHK M.D.P 09/17/90		
				.X	±.1	TITLE OUTLINE GENERAL PURPOSE MOTOR DRIP PROOF		APPD		
				.XX	±.03			SCALE 3=8		
13	ADDED PART # 8 PER SAMPLE DS13-2295	UD 06/21/13	GRB	.XXX	±.005	MAT'L. FINISH		REF		
12	CHG "XS" DIMENSION PER IS08-2395	MD 07/01/08		.XXXX	±.0005			FMF		
NO.	REVISION	BY & DATE	CHK	ANG	±1/2'	CAD FILE 52A107622 DIST		SIZE A	DRAWING NO. 52A107622	REV. 13

THIS DRAWING IN DESIGN AND DETAIL IS OUR PROPERTY AND MUST NOT BE USED EXCEPT IN CONNECTION WITH OUR WORK ALL RIGHTS OF DESIGN AND INVENTION ARE RESERVED THIS IS AN ELECTRONICALLY GENERATED DOCUMENT - DO NOT SCALE THIS PRINT

EITHER ROTATION, DUAL VOLTAGE, TYPE KC OR KH, WITH THERMAL PROTECTION



NOTE #1 - START CAP & J9 WHEN SPECIFIED (*). IF NO CAPACITOR (KH), CONNECT T5 DIRECTLY TO SWITCH (A). WHEN MORE THAN ONE CAPACITOR IS USED, CONNECT IN PARALLEL.

NOTE #2 - TO REVERSE ROTATION, INTER CHANGE RD(T8) AND BLK(J9-KC OR T5-KH) LEADS.

SWITCH REF. - 115D958AB	CONNECTION LABEL	CCW ROTATION: NP52X332051AA
		CW ROTATION: NP52X332051AC

NO.	REVISION	BY & DATE	CHK	ANG	FINISH	TOLERANCES UNLESS SPECIFIED	DEC.	INCHES	TITLE	DRAWN M.D.P 06/29/87	
											PKG
5	ADDED CONNECTION LABEL PER ECO-0030779	UD 02/06/13	PKG	.XXX	±0.005	.X	±0.1		REGAL-BELOIT CORPORATION REGAL-BELOIT CONNECTION DIAGRAM 30 FRAME SWITCH REDESIGN	APPD M.D.P 03/26/96	
4	UPDATED PER ISO7-0150	MD 01/23/07		.XXXX	±0.0005	.XX	±0.02			SCALE 1=1	
										REF	
										FMF	
										PREV	
THIS DRAWING IN DESIGN AND DETAIL IS OUR PROPERTY AND MUST NOT BE USED EXCEPT IN CONNECTION WITH OUR WORK. ALL RIGHTS OF DESIGN AND INVENTION ARE RESERVED. THIS IS AN ELECTRONICALLY GENERATED DOCUMENT - DO NOT SCALE THIS PRINT						RFP	CAD FILE	52A105383AA	SIZE	DRAWING NO.	REV.
						DIST			A	52A105383AA	5